



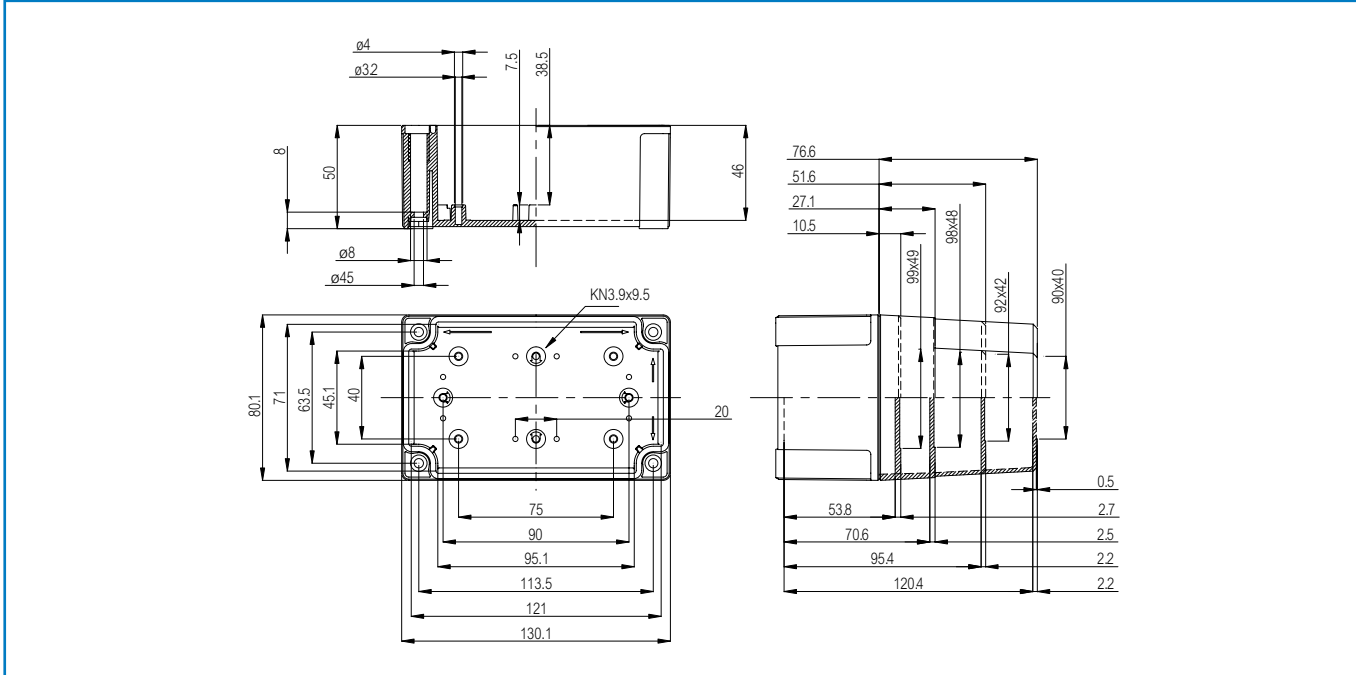
Sample photo

Order symbol: ABS 100/100 HT
Product nbr: 6081903
Description: Enclosure, ABS
Remarks: Smoked transparent cover

EAN: 6418074023056
EI. number:
 Finland 3420593
 Denmark 8212023440
 Italy 7362030
 Sweden 2535815

Including: Base with TPE gasket and screws for mounting plate/DIN-rail, cover with polyamide cover screws and wing heads for cover screws.

Dimensions:				Rating:	
	L	W	H		
mm:	130	80	100	Ingress Protection (EN 60529): IP 66/67	
inch:	5.1	3.1	3.9	Impact Resistance (EN 50102): IK 07	
Materials:				Electrical insulation: Totally insulated	
Material:	ABS			Halogen free (DIN/VDE 0472, Part 815): Yes	
Base colour:	RAL 7035			Flammability Rating (UL 746 C 5): UL 94 HB	
Cover colour:	Smoked grey			Glow Wire Test (IEC 695-2-1) °C: 650	
Cover screws material:	Polyamide			NEMA Class: NEMA 1, 4, 4X, 6	
Cover screws colour:	Black			Certificates:	
Gasket material:	TPE			Fimko	
Temperatures:				Europe EN 50298 1998	
Short term:	-40 ... 80 °C			Gost R	
Continuous:	-40 ... 60 °C				
Short term:	-40 ... 175 °F				
Continuous:	-40 ... 140 °F				
Accessories:					
MIV 100	Mounting plate				
MIN 5	DIN-15 Mounting rail				
MIN 10	DIN-15 Mounting rail				
MIV 5	DIN-35 Mounting rail				
MIV 10	DIN-35 Mounting rail				
FP A 100/130	Front plate				
HFP 130	Front plate hinge series				



(c) Fibox OY, Data subject to change without notice