

Accessories



Mounting

7/2



Power distribution

7/70



Cable management

7/101



Lighting and power socket

7/125



Door accessories

7/130



Earthing accessories

7/139



Floor accessories

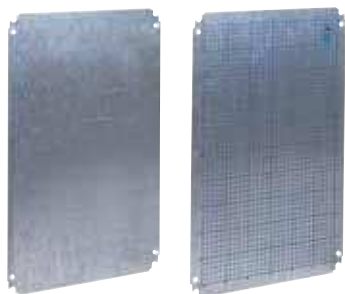
7/142



Paint accessories

7/144

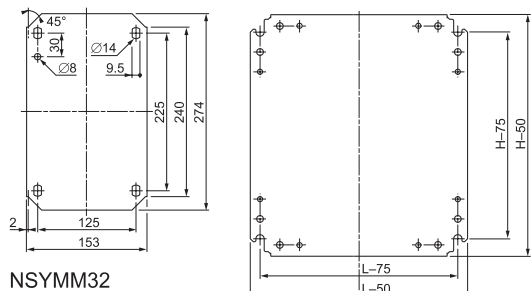
Mounting Installation accessories



Metal

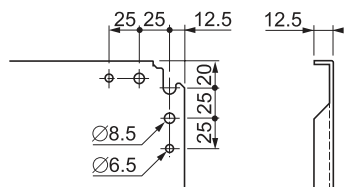
Silkscreened

For ranges
S3D, CRN, S3X,
PLM, S57



NSYMM32

NSYMM33, NSYMM36,
NSYMM3025, NSYMM66,
NSYMM55



From the size of 1000 × 1000



Mounting plate with sliding supports.

Plain and silkscreened mounting plates

- Galvanised-steel mounting plates.
- Galvanised-steel mounting plates, silkscreened for easier distribution of the products to be installed.
- Centimetric grid pattern.

Supply: 1 mounting plate and fixing elements.

For floor-standing enclosure (mm)		Height (mm)	Width (mm)	Surface (dm ²)	Maximum load (kg)	Weight (kg)	Reference	
Height	Width						Metal	Silkscreened
200	200	165	150	2.5	40	0.4	NSYMM22	-
200	300	265	150	4	40	0.6	NSYMM23	-
250	200	215	150	3.2	40	0.5	NSYMM2520	-
250	400	150	350	5.3	60	0.8	NSYMM2540	-
250	500	150	450	6.8	60	1.1	NSYMM2550	-
300	200	274	153	3.8	60	0.6	NSYMM32	-
300	250	250	200	5	60	0.7	NSYMM3025	-
300	300	250	250	6.3	60	0.9	NSYMM33	-
300	400	250	350	8.8	60	1.25	NSYMM43*	NSYMS43
300	450	250	400	10.0	60	1.4	NSYMM3045	-
300	600	250	550	13.8	60	2	NSYMM36	-
400	400	350	350	12.3	60	1.7	NSYMM44	NSYMS44
400	600	350	550	19.3	90	2.7	NSYMM64*	NSYMS64
400	800	350	750	26.3	90	3.8	NSYMM48	-
500	300	450	250	11.3	60	1.65	NSYMM53*	NSYMS53
500	400	450	350	15.8	90	2.2	NSYMM54	NSYMS54
500	500	450	450	20.3	90	2.95	NSYMM55*	NSYMS55
600	400	550	350	19.3	90	2.70	NSYMM64	NSYMS64
600	500	550	450	24.8	90	3.6	NSYMM65	-
600	600	550	550	30.3	135	4.4	NSYMM66	NSYMS66
700	500	650	450	29.3	135	4.25	NSYMM75	NSYMS75
700	600	650	550	35.8	135	5.2	NSYMM76	-
800	600	750	550	41.3	135	8.1	NSYMM86*	NSYMS86
800	800	750	750	56.3	150	11	NSYMM88	-
1000	600	950	550	52.3	150	10.2	NSYMM106	-
1000	800	950	750	71.3	150	13.9	NSYMM108*	-
1000	1000	950	950	93.1	180	18.1	NSYMM1010	-
1200	600	1150	550	65.8	180	12.8	NSYMM126	-
1200	800	1150	750	89.1	180	17.35	NSYMM128*	-
1200	1000	1150	950	112.4	180	21.9	NSYMM1210*	-
1200	1200	1150	1150	135.7	180	26.45	NSYMM1212	-
1400	1000	1350	950	131.7	180	25.7	NSYMM1410	-

* Plate with reversible dimensions; it can be installed in enclosures with inverted dimensions.

Example:

Plate ref. **NSYMM64** can be used for the following enclosures:

- H 600 × W 400 mm.
- H 400 × W 600 mm.



See also
the accessories



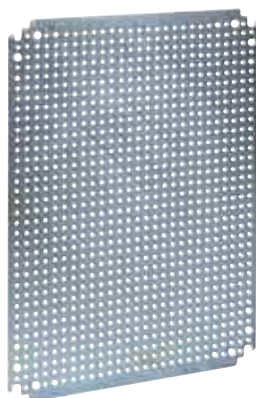
Step slides
page 7/7



Rails and uprights
page 7/50

Mounting


Installation accessories

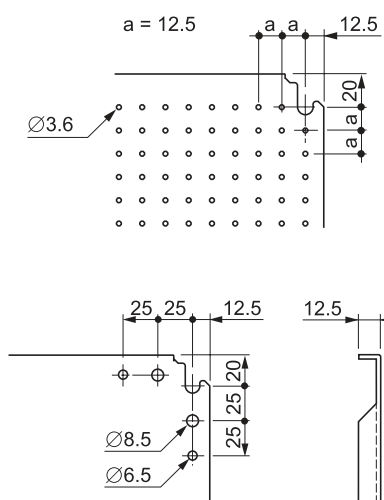


For ranges
S3D, CRN, S3X,
PLM, S57

Microperforated mounting plate

- Galvanised-steel microperforated mounting plates.
- They considerably reduce the products installation time thanks to the holes prepared to receive the self-tapping screws.
- Holes with $\varnothing 3.6$ mm in steps of 12.5 mm.

 Supply: 1 mounting plate and fixing elements.



From the size of 1000 × 1000

For enclosures		Height (mm)	Width (mm)	Surface (dm ²)	Maximum load (kg)	Weight (kg)	Reference
Height (mm)	Width (mm)						
300	200	265	150	4	60	0.55	NSYMF32
300	300	265	250	6.6	60	0.95	NSYMF33
300	400	250	350	9.3	60	1.35	NSYMF43*
400	400	365	350	12.8	60	1.85	NSYMF44
500	300	450	250	11.6	60	1.70	NSYMF53
500	400	465	350	16.3	90	2.40	NSYMF54
500	500	465	450	20.9	90	3.05	NSYMF55
600	400	550	365	20.1	90	2.95	NSYMF64*
600	500	550	450	24.5	90	3.60	NSYMF65
600	600	565	550	31.1	135	4.55	NSYMF66
700	500	665	450	29.9	135	4.40	NSYMF75
800	600	765	550	42.1	135	7.70	NSYMF86*
800	800	765	750	57.4	150	10.55	NSYMF88
1000	600	965	550	53.1	150	9.75	NSYMF106
1000	800	965	750	91.7	150	13.30	NSYMF108*
1000	1000	965	965	93.1	180	17.10	NSYMF1010
1200	600	1165	565	65.8	180	12.05	NSYMF126
1200	800	1165	765	89.1	180	16.35	NSYMF128
1200	1000	1165	965	112.4	180	20.65	NSYMF1210*

* Reversible mounting plate; it can be installed in enclosures with inverted dimensions.

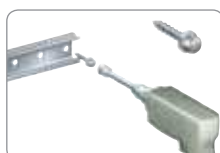
Example:

Plate ref. **NSYMF64** can be used for the following enclosures:

- H 400 × W 600 mm.
- H 600 × W 400 mm.



See also
the accessories



Self-tapping screws
ref. **NSYS16M5HS**
page 7/67

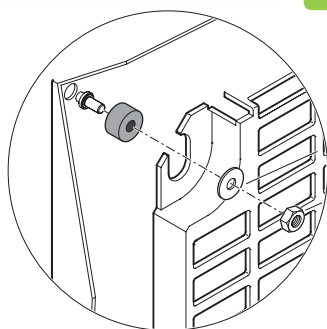


Step slides
page 7/7

Mounting Installation accessories




For ranges
S3D, CRN, S3X,
PLM, S57

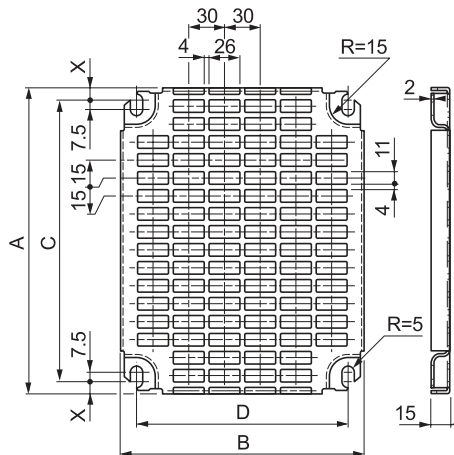


Mounting-plate elevators. Supply: 6 elevators.
Ref. **NSYEMR**

Telequick mounting plate

- Zinc-coated-steel Telequick mounting plates. They allow cable guides and ducting and other installation accessories to be clipped on, making it easier to install switchgear.
- 11 × 26 mm slots.
- Switchgear fixing by clip-on nuts.

 Supply: 1 mounting plate and fixing elements.



For enclosures (mm)		Dimensions (mm)					Surface (dm ²)	Load (kg)	No. of perforations in		Reference
Height	Width	A	B	C	D	X			Height	Width	
300	200	255	153.7	231.3	125	11.85	3.3	0.30	16	5	NSYMR32
300	250	253	228	231.3	175	10.85	5.1	0.40	16	8	NSYMR3025
300	300	255	251	231.3	225	11.85	5.8	0.50	16	9	NSYMR33
300	400	255	354	235	325	10	8.3	0.75	18	11	NSYMR34
400	300	348.7	251	325	225	11.85	8.1	0.70	22	9	NSYMR43
400	400	345	351	325	325	10	11.5	1	24	11	NSYMR44
400	600	345	551	325	525	10	18.4	1.55	24	19	NSYMR46
500	300	453.7	251	430	225	11.85	10.7	0.85	29	9	NSYMR53
500	400	450	351	430	325	10	15.2	1.30	31	11	NSYMR54
500	500	450	451	430	425	10	19.7	1.60	31	14	NSYMR55
600	400	555	351	530	325	12.5	18.8	1.50	38	11	NSYMR64
600	500	555	451	535	425	10	24.4	2	38	14	NSYMR65
600	600	555	551	535	625	10	29.9	2.50	38	17	NSYMR66
600	800	551	750	531	724	10	40.7	3.10	36	24	NSYMR68
700	500	645	451	625	425	10	28.4	2.35	44	14	NSYMR75
800	600	750	551	730	525	10	40.7	3.20	51	17	NSYMR86
800	800	750	751	730	725	10	55.7	3.95	51	24	NSYMR88
800	1000	751	951	731	925	10	70.8	5.30	49	31	NSYMR810
1000	600	945	551	925	525	10	51.4	4.05	64	17	NSYMR106
1000	800	945	751	925	725	10	70.3	5	64	24	NSYMR108
1000	1000	945	951	925	925	10	89.2	6.50	62	31	NSYMR1010
1000	1200	951	1151	931	1125	10	108.8	7.45	62	37	NSYMR1012
1200	600	1145	551	1125	525	10	62.4	5.70	75	17	NSYMR126
1200	800	1145	751	1125	725	10	85.3	6.40	75	24	NSYMR128
1200	1000	1145	951	1125	925	10	108.2	7.80	75	31	NSYMR1210
1400	1000	1345	951	1325	925	10	127.3	9.10	88	31	NSYMR1410

To install two mounting plates in a single enclosure, also order reference **NSYCRNGSDR**.

To install the plate in an enclosure with 6 studs, also order reference **NSYEMR**.



See also
the accessories



Clip-on nuts
page 7/27



Lyre-shaped clamp for plate
ref. **NSYGCR**
page 7/123



Plastic cable support
ref. **NSYSPC**
page 7/122

Mounting

Installation accessories



Bakelite

Polyester

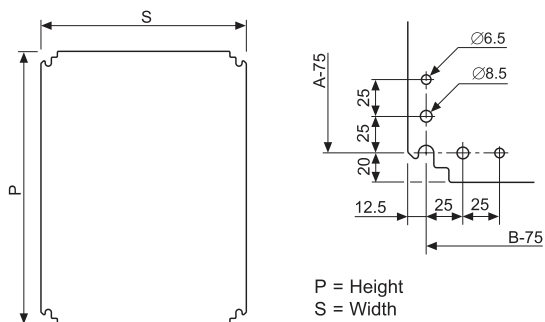
For ranges
S3D, CRN, S3X,
PLM

Bakelite and polyester mounting plate

- Made in black bakelite RAL-9005 or from polyester reinforced with fibreglass, RAL-7035 grey colour.
- They are coupled directly to the rear of the actual enclosure or to the sliding plate supports.
- Double-door enclosures offer the option of installing one full plate or two individual plates. See guide below.



Supply: 1 mounting plate and fixing elements.



For floor-standing enclosure (mm)		Dimensions (mm)		Thickness (mm)		Weight (kg)		Reference	
Height (A)	Width (B)	Height (P)	Width (S)	Bakelite	Polyester	Bakelite	Polyester	Bakelite	Polyester
300	200	265	150	4	4	0.2	0.3	NSYMB32	NSYMPP32
300	250	265	200	4	4	0.2	0.4	NSYMB3025	NSYMPP3025
300	300	265	250	4		0.3		NSYMB33	-
400	300	325	250	4	4	0.5	0.7	NSYMB43	NSYMPP43
500	400	465	350	4	4	0.9	1.2	NSYMB54	NSYMPP54
600	400	565	350	4	4	1.1	1.4	NSYMB64	NSYMPP64
600	500	565	450	4		1.4		NSYMB65	-
700	500	665	450	4	4	1.7	2.1	NSYMB75	NSYMPP75
800	600	765	550	4	5	2.3	3.8	NSYMB86	NSYMPP86
1000	600	965	550	5		4.2		NSYMB106	-
1000	800	965	750	5	5	5.7	6.5	NSYMB108	NSYMPP108
1200	1000	1150	950	5		8.3		NSYMB1210	-

*To install 2 individual plates, you will need reference NSYCRNGSDR; see details on page 7/7.



Insertable nuts

For devices installation on the mounting plate.



Supply: 50 units.



References per unit. To be ordered in multiples of 50 (50, 100, 150, etc.).

Insertable nuts	
Thread	Reference
M3	NSYTE3
M4	NSYTE4
M5	NSYTE5
M6	NSYTE6
M8	NSYTE8
M10	NSYTE10
M12	NSYTE12



See also
the accessories



Step slides for polyester enclosures
pages 6/29 and 6/60



Step slides
page 7/7

Mounting

Installation accessories



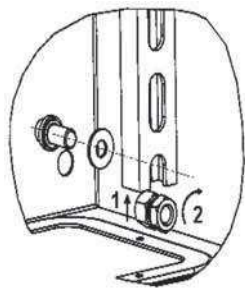
For ranges
S3D, CRN, S3X,
PLM

DIN-rail chassis

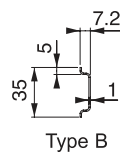
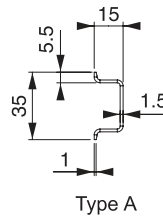
- Aluminium uprights.
- Steel profiles (symmetric section type A or B according to the reference).
- Screws, washers and nuts required to install the mounting plate, supplied.
- Gasket adapters, ref. **NSYAMCSF** (batch of 4 adapters, non supplied).

 Composition: 1 DIN-rail chassis and fixings.

For enclosure		Type of rails	Number of rails	Reference
Height	Width			
300	300	B	4	NSYMD33
400	300	B	4	NSYMD43
500	400	B	4	NSYMD54
600	400	B	6	NSYMD64
600	600	A	6	NSYMD66
700	500	B	6	NSYMD75
800	600	A	6	NSYMD86
1000	800	A	6	NSYMD108
1200	800	A	7	NSYMD128
Batch of 4 adapters				NSYAMCSF



DIN mounting plate adapter
Ref. **NSYAMCSF**



See also
the accessories



Slides
page 717



Stand-offs
page 7164



Profiles
page 7150

Mounting

Installation accessories



For ranges
S3D, CRN, S3X

Step slides for mounting plate

Set of 4 supports intended for installation in enclosures with depths of 200, 250, 300 and 400 mm. The rail allows the depth of the plate and other accessories to be adjusted in steps of 12.5 mm.

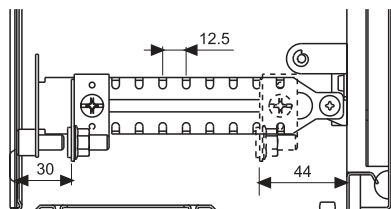
Supply: 4 sliding supports.

For enclosure depth (mm)	Reference
200	NSYSDCR200
250	NSYSDCR250
300	NSYSDCR300
400	NSYSDCR400
300	NSYSDRSDCR300*
400	NSYSDRSDCR400*

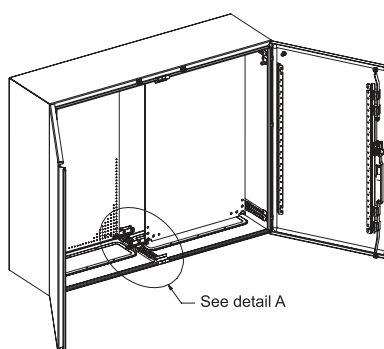
* For installation in enclosures from 1000 to 1200 mm.

Set of 2 sliding supports
NSYCRNGSDR

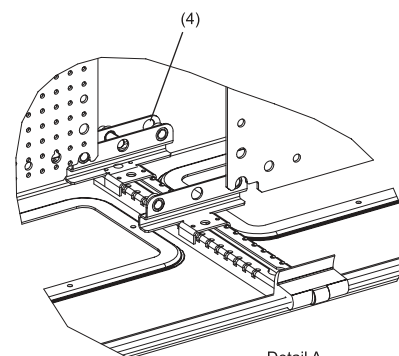
Installation of 2 mounting plates in enclosures with a width of 1000 or 1200 mm, depth of 300 mm.



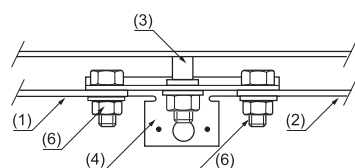
Installation of 2 plates in enclosures with a width of 1200 mm.
1. Installation on the 6 backstuds. 2. Two plates at different depths



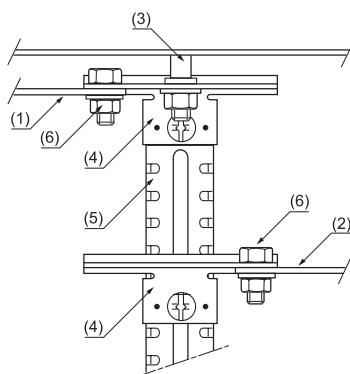
1. Installation on the backstuds.



2. Installation of two sliding plates with adjustable depth.



- (1) Left plate
- (2) Right plate
- (3) Central backstud
- (4) NSYCRNGSDR bracket (includes fixings)
- (5) NSYSDRSDCR sliding rail
- (6) M8 × 20-mm screw



See also
the accessories



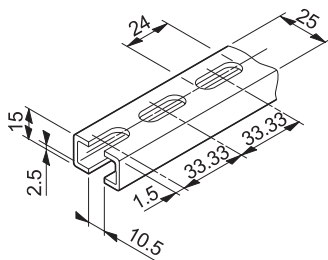
Step slides for polyester
enclosures
pages 6/29 and 6/60

Mounting

Installation accessories



For ranges
S3D, CRN, PLM,
S3X



Aluminium vertical rails

- Fixing in the enclosure with M8 nuts, ref. **NSYAMCSF** (batch of 4 adapters to be ordered separately).
- Material: aluminium (length: 1200 mm, in steel).

Height	Material	Reference	Composition
300	Aluminium	NSYMDVR3	10
400	Aluminium	NSYMDVR4	10
500	Aluminium	NSYMDVR5	10
600	Aluminium	NSYMDVR6	10
700	Aluminium	NSYMDVR7	10
800	Aluminium	NSYMDVR8	10
1000	Aluminium	NSYMDVR10	10
1200	Steel	NSYMDVR12	2
Length: 3 m	Aluminium	NSYMDVR3M	10



Screw with slotted hexagonal head and captive washer

Type	Reference				
	10 mm	12 mm	16 mm	18 mm	Nut
M4	NSYS10M4H	-	NSYS16M4H	-	NSYNM4
M5	-	NSYS12M5H	-	NSYS16M4H	NSYNM5
M6	-	NSYS12M6H	-	NSYS18M6H	NSYNM6

Mounting

Installation accessories



Slides and brackets

They allow the depth of the plates and rails to be adjusted.

- Length of 90 mm, with bracket for enclosures with depths of 150 and 200 mm.
- Length of 130 mm, with bracket for enclosures with depths of 250 and 300 mm.
- Bracket for slides (customised mounting plate).



Composition: 10 units.



References per unit. To be ordered in multiples of 10 (10, 20, 30, etc.).



Description	Reference
90-mm slide	NSYSB90
130-mm slide	NSYSB130
Bracket	NSYFB

[For ranges
S3D, CRN, S3X,
PLM]



See also
the accessories



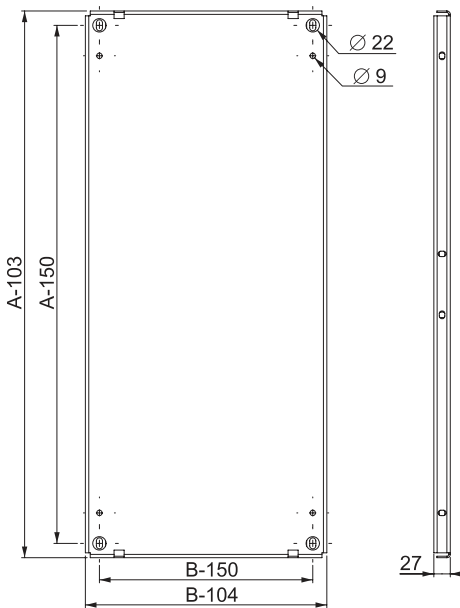
Fixings
page 7/67

Mounting

Installation accessories



For ranges
SF, SM, SFX, SMX



Mounting plate

- Plate provided with reinforcement flange around the entire perimeter. The vertical edges are provided with a triple fold, to prevent finger cuts.
- Depth adjustable with a pitch of 25 mm, provided with plastic shoe for easier sliding.
- Once the plate is fixed, in advanced position, the sliding shoe can be easily removed, to increase the available plate surface.
- Material: galvanised steel.
- Maximum load: 600 kg in the back of the enclosure and 500 kg in the intermediate position.
- Installation options:
 - At the sides of the enclosure with the orthogonal brackets (see page 7/13).
 - Back-to-back, with the brackets for fixing the mounting plates in back-to-back position (see page 7/16).
- In sets made up of two or more enclosures with mounting plates, it is possible to obtain a continuous plate surface using intermediate mounting plates (see page 7/15).

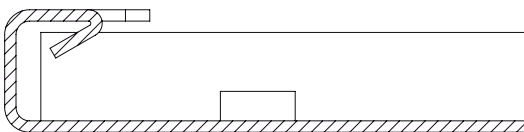


Supply: one mounting plate and sliding shoes.

Nominal dimensions (mm)		Reference
Height (A)	Width (B)	
1200	600	NSYMP126
	800	NSYMP128
	1000	NSYMP1210
	1200	NSYMP1212
1400	600	NSYMP146
	800	NSYMP148
	1000	NSYMP1410
	1200	NSYMP1412
1600	600	NSYMP166
	800	NSYMP168
	1000	NSYMP1610
	1200	NSYMP1612
1800	600	NSYMP186
	800	NSYMP188
	1000	NSYMP1810
	1200	NSYMP1812
	1600	NSYMP1816
2000	600	NSYMP206
	800	NSYMP208
	1000	NSYMP2010
	1200	NSYMP2012
2200	1600	NSYMP2016
	600	NSYMP226
	800	NSYMP228
	1000	NSYMP2210
	1200	NSYMP2212

> **Advantage:**

The Spacial.pro tool helps determine the optimum dimensions of the mounting plate.

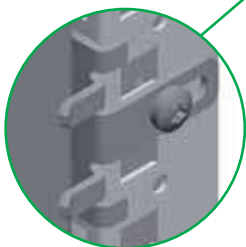


> **Advantage:**

The triple fold of the vertical edges of the mounting plate contributes to increasing the latter's rigidity and increases handling safety by preventing finger cuts.

Mounting

Installation accessories



Intermediate fixing of the mounting plate, located in the back of the enclosure

- Support for additional fixing of the mounting plate, at any height of the plate, when the plate is mounted in the back of the enclosure.
- The supports minimise the vibration of the plate during the transport and operation of the panel.
- The supports are fixed to the structure when the plate is already located in the back of the enclosure.
- **Spacial SM:** fixing to 40-mm universal cross rails (1 row), installed vertically in the back of the enclosure, see page 7/36.
- Material: zinc-coated steel.



Supply: ten units and fixing elements.



Reference by unit. Order by multiples of 10 (10, 20, 30...).

Reference

NSYSMPFB



Intermediate fixing of the mounting plate, in advanced position

- Support for additional fixing of the mounting plate, at any height of the plate, when the plate is mounted in advanced position.
- The supports minimise the vibration of the plate during the transport and operation of the panel.
- The supports are mounted on light cross rails or on 40-mm (1 row) universal or quick-fixing cross rails (not supplied) (see page 7/36).
- Material: zinc-coated steel.



Supply: ten units and fixing elements.



Reference by unit. Order by multiples of 10 (10, 20, 30...).

Reference

NSYSMPFA

Mounting

Installation accessories



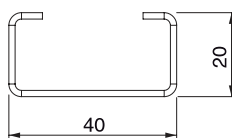
Reinforcement for mounting plate

- Reinforcement kit for transversal mounting plate.
- Provides extra rigidity to the mounting plates and absorbs vibrations.
- Can be used as a support for fixing very heavy elements.
- Material: zinc-coated steel.
- Thickness: 1.5 mm.



Supply: two profiles, four supports for fixing to the mounting plate and fixing elements.

Nominal dimensions (mm)	Reference
Width	
800	NSYMPRK8
1000	NSYMPRK10
1200	NSYMPRK12
1600	NSYMPRK16



Mounting

Installation accessories



Mounting plate fixing brackets

- Mounting plate fixing brackets for direct mounting on the structure of the enclosure.
- Adjustable depth with a pitch of 25 mm.
- Maximum load (4 brackets): 600 kg.
- Material: zinc-coated steel.

 Supply: four brackets and fixing elements.

Reference	For enclosure
NSYSFPB	Spacial SF
NSYSMPB	Spacial SM, Spacial SFX, Spacial SMX

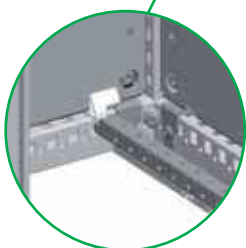
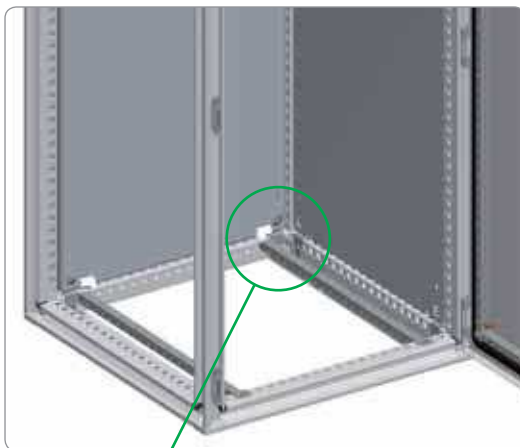


Orthogonal brackets

- Orthogonal brackets designed for the installation of mounting plates on the sides of the enclosure.
- In the event of installing one plate in the back of the enclosure and one plate at the side, they must both be installed using orthogonal brackets.
- Maximum load (4 brackets): 600 kg.
- Material: zinc-coated steel.
- Spacial SFX: in order to mount the lateral mounting plate is necessary to remove the one on the back and its fixing brackets.

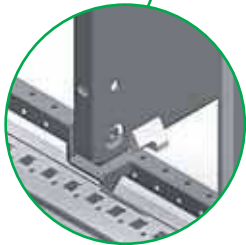
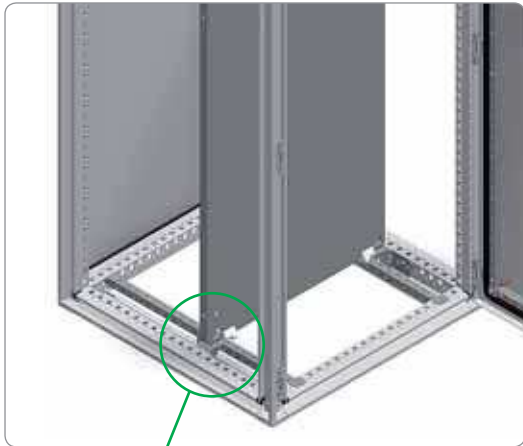
 Supply: four brackets and fixing elements.

Reference
NSYSMPB



Mounting

Installation accessories



[For ranges
SF]

Mounting plate sliding rails

- Rails which the mounting plate slides along when inserted in the enclosure.
- Once the mounting plate is installed and fixed to the brackets, the sliding rails can be removed to maximise the cable passage surface, and can be installed depthwise in other positions.
- Material: zinc-coated steel.



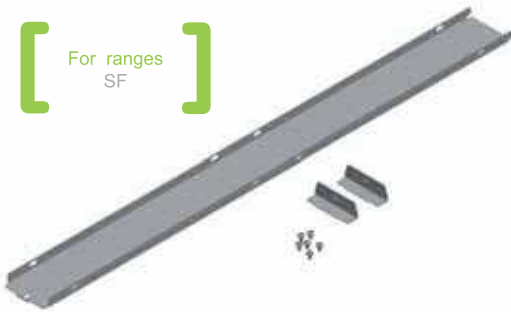
Supply: two rails and fixing elements.

Nominal dimensions (mm)	Reference
Depth	
400	NSYSMPS4
500	NSYSMPS5
600	NSYSMPS6
800	NSYSMPS8

Mounting

Installation accessories

[For ranges SF]

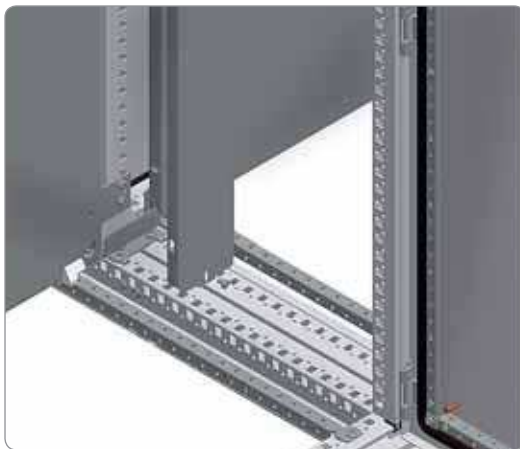


Intermediate mounting plate

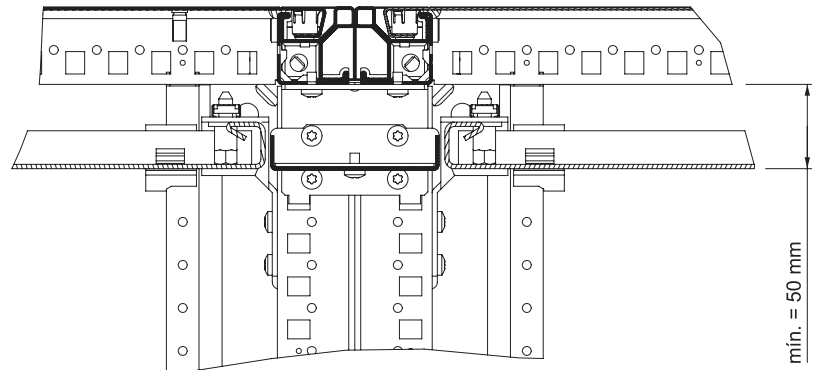
- Intermediate plate used to obtain a continuous surface of the mounting plate at enclosure suites.
- Adjustable depth with a pitch of 25 mm. When the mounting plates are located in the back of the enclosure, the vertical profiles of the structure are flush with the plates, acting as an intermediate mounting plate. In this case the intermediate plate cannot be installed.
- Material: galvanised steel.



Supply: one intermediate plate and fixing elements.



Nominal dimensions (mm)	Reference
Height (A)	
1200	NSYSIMP12
1400	NSYSIMP14
1600	NSYSIMP16
1800	NSYSIMP18
2000	NSYSIMP20
2200	NSYSIMP22



Mounting

Installation accessories

[For ranges
SF]



Brackets for fixing mounting plates in back-to-back position

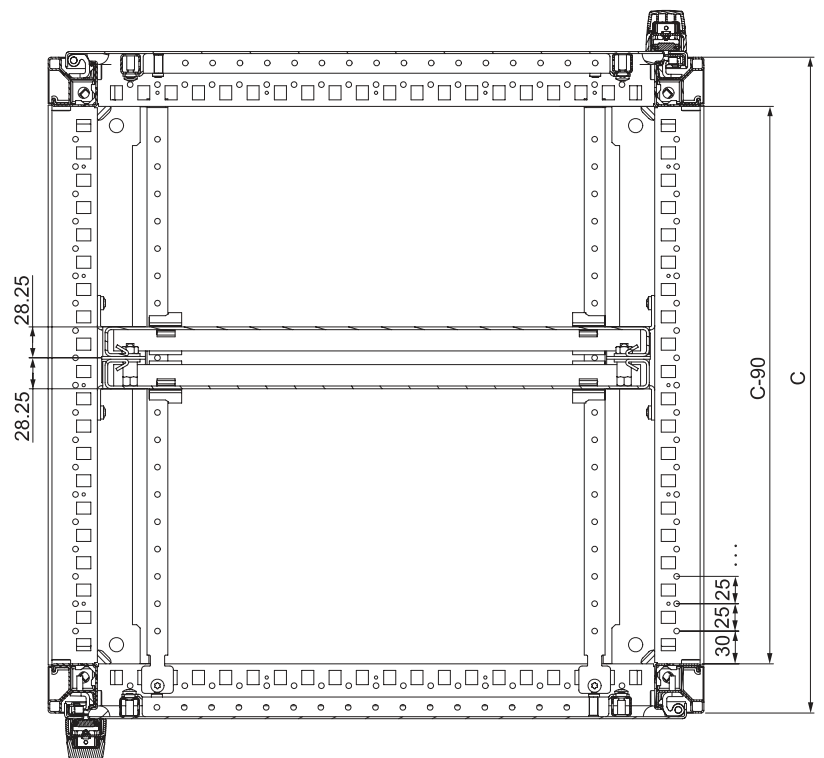
- Brackets for fixing two mounting plates, in back-to-back position, doubling the mounting surface.
- Adjustable with a pitch of 25 mm.
- Material: zinc-coated steel.



Supply: four brackets for fixing back-to-back and fixing elements.

Reference

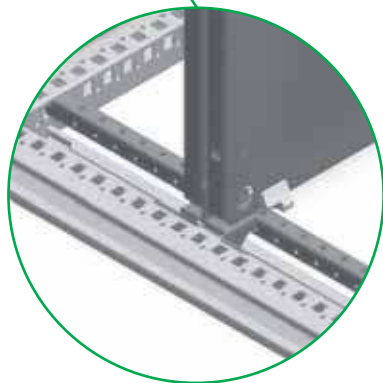
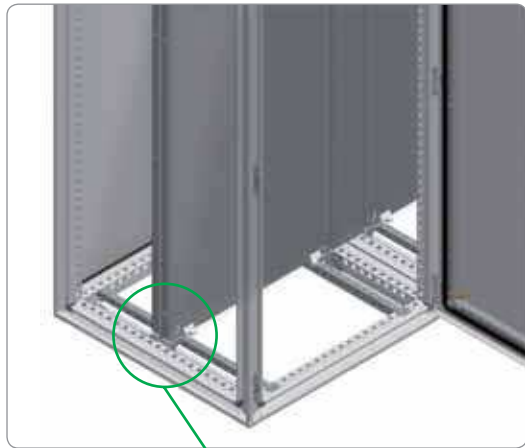
NSYSBTB



Mounting

Installation accessories

[For ranges
SF]



Brackets for fixing intermediate mounting plates in back-to-back position

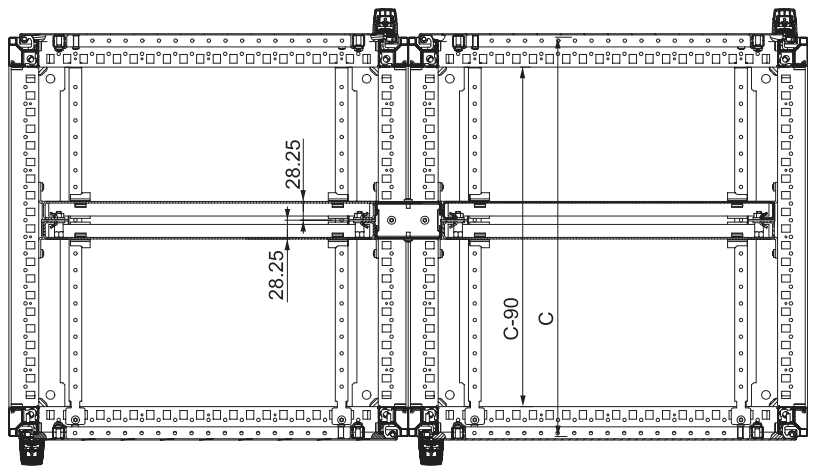
- Brackets for fixing two intermediate mounting plates, in back-to-back position, doubling the mounting surface.
- Adjustable with a pitch of 25 mm.
- Material: zinc-coated steel.



Supply: 2 brackets for fixing intermediate plates back-to-back and fixing elements.

Reference

NSYSIBTB



Mounting


Installation accessories

[For ranges SF, SFX]



Side entry rails for the mounting plate

- Side entry device for the mounting plates when coupling **Spacial SF** enclosures or **Spacial SFX**.
- The mounting plates can be coupled with one another, and are fixed to the side entry guide by pressure.
- Material: zinc-coated steel.

 Supply: two rails and fixing elements.

Nominal dimensions (mm)	Reference
Width (B)	
600	NSYSMPSE6
800	NSYSMPSE8
1000	NSYSMPSE10
1200	NSYSMPSE12

Length of joined Spacial SF enclosures (mm)	Example of Spacial SF enclosure combination width (mm) (B)	Example of combining mounting plates by width (mm)	Useful length (mm)
1200	1200	600 + 800	1192
1400	600 + 800	600 + 1000	1392
1600	2 × 800	800 + 1000	1592
1800	3 × 600	800 + 1200	1792
2000	2 × 1000	1000 + 1200	1992
2200	600 + 2 × 800	1200 + 1200	2192
2400	3 × 800	1600 + 1000	2392
		3 × 600 + 1000	2384
2600	2 × 1000 + 600	1600 + 1200	2592
		3 × 600 + 1200	2584
2800	2 × 1000 + 800	4 × 800	2784
3000	3 × 1000	3 × 800 + 1000	2984
3200	2 × 1000 + 1200	3 × 800 + 1200	3184
3400	3 × 800 + 1000	800 + 3 × 1000	3384
3600	3 × 1200	4 × 1000	3584
3800	800 + 3 × 1000	600 + 3 × 1200	3784
4000	4 × 1000	800 + 3 × 1200	3984

Mounting


Installation accessories

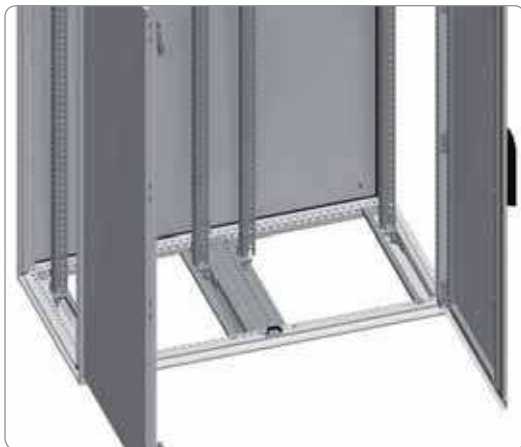
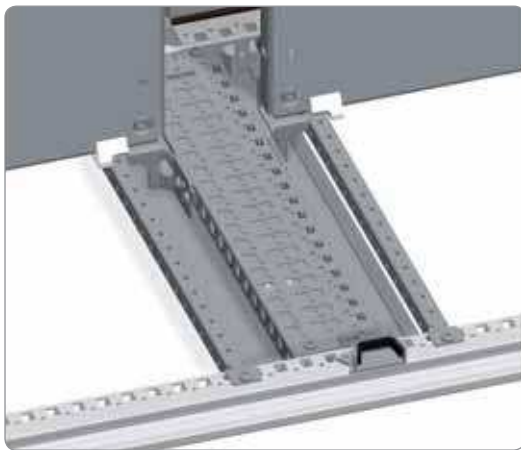
[For ranges SF]



Kit for adapting two-door enclosures

- Allows the installation of two mounting plates as if in two independent enclosures.
- A set of brackets for fixing mounting plates ref. **NSYSMPB** is required for this.
- Option of installing an intermediate mounting plate.
- Valid for enclosures with widths of 1200 and 1600 mm.
- In the event of installing a cable-gland plate for a width of 1200 mm, it is necessary to install two with a width of 600 mm, and for widths of 1600 mm, two with a width of 800 mm.

 Supply: two 90-mm cross rails, cable-gland plate support, 2 brackets for central fixing of the roof and fixing elements.



Nominal dimensions (mm)	Reference
Depth (C)	
400	NSYSMP2D4
500	NSYSMP2D5
600	NSYSMP2D6
800	NSYSMP2D8

Mounting

Installation accessories



[For ranges SF]

Partial mounting plate

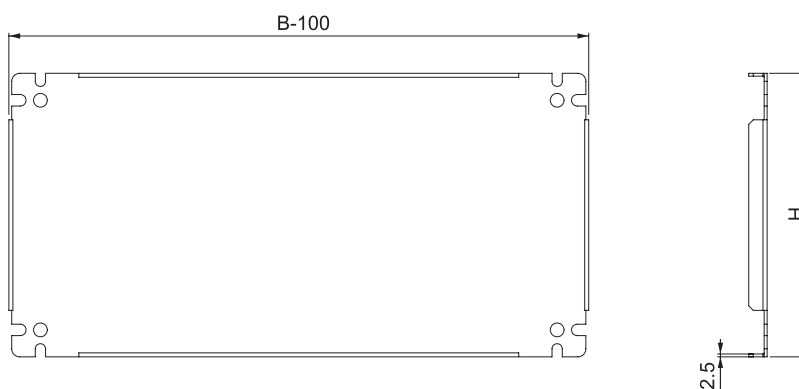
- Partial mounting plate, provided with reinforcement flange on its four sides.
- Fixing options:
 - **Spacial SF, SFX:**
 - Fixing to the vertical uprights of the structure.
 - Fixing to the technical or standard vertical uprights, see page 7/23.
 - For installations in advanced position, fixing to cross-rails, see page 7/36.
 - **Spacial SM:**
 - Fixing by means of adaptation profiles and 40-mm universal cross-rails (1 row) in vertical position, or also on horizontal universal cross-rails.
 - It can be mounted horizontally, as a tray, by means of depthwise cross rails, see page 7/36.
- Material: galvanised steel.



Supply: partial mounting plate and fixing elements.

Nominal dimensions (mm)	Plate height (mm) (H)	Plate length (mm) (B-100)	Reference
			Width (B)
600	247	500	NSYSPMP2560
	247	750	NSYSPMP2575
	397	500	NSYSPMP4060
	597	500	NSYSPMP6060
800	247	700	NSYSPMP2580
	397	700	NSYSPMP4080
	597	700	NSYSPMP6080
1000	247	900	NSYSPMP25100
	397	900	NSYSPMP40100
	597	900	NSYSPMP60100
1200	247	1100	NSYSPMP25120
	397	1100	NSYSPMP40120
	597	1100	NSYSPMP60120
1600	397	1100	NSYSPMP40160

7



Self-tapping screw

- Self-tapping screw, hexagonal head, 4.8 × 16 mm thread.
- Drilling capacity: thicknesses between 1.75 and 4 mm.



Supply: 100 units.



To be ordered in multiples of 100 (100, 200, 300, etc.).

Reference
NSYS16M5HS

Mounting

Installation accessories



For ranges SM

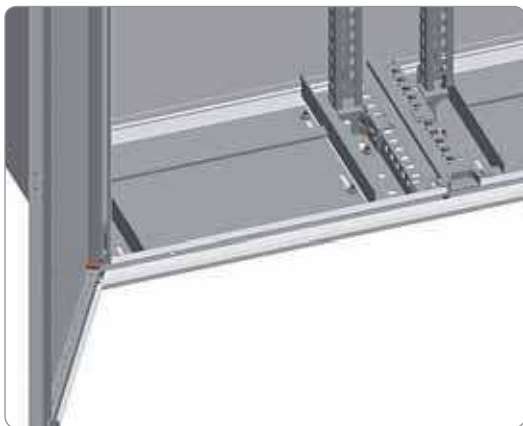
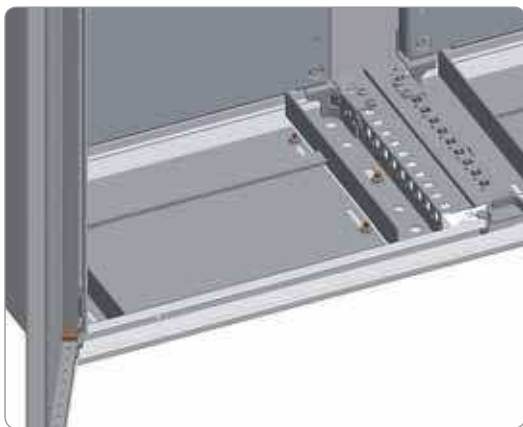
Top/bottom adjustment rails

- Allows the installation of two mounting plates or vertical uprights in enclosures with a width of 1200 mm, as if in two independent enclosures.
- A set of mounting plate fixing brackets ref. **NSYSMPB** is required for this.
- Optional installation of an intermediate mounting plate.



Supply: 2 rails, top and bottom, and fixing elements.

Nominal dimensions (mm)	Reference
Depth	
300	NSYSTBR3
400	NSYSTBR4
500	NSYSTBR5
600	NSYSTBR6



Mounting

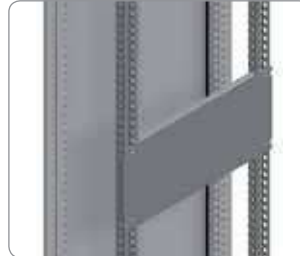
Installation accessories

Examples of partial plate installation

• **Spacial SF, SFX:**



(1)** Plate mounted on structure.



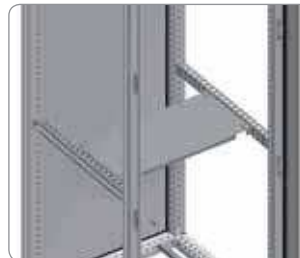
(2)* Plate mounted on technical vertical uprights.



(3)* Plate mounted on standard vertical uprights.



(4) Plate mounted on cross rails.



(5) Plate mounted on cross rails, horizontal fixing.

*Fixings not supplied.

** Not possible in enclosures Spacial SFX.

• **Spacial SM, SMX:**



(1)* Plate mounted on technical vertical uprights.



(2)* Plate mounted on standard vertical uprights.



(3)* ** Plate mounted on cross rails.

*Fixings not supplied.

** Not possible in enclosures Spacial SMX.

Mounting

Installation accessories



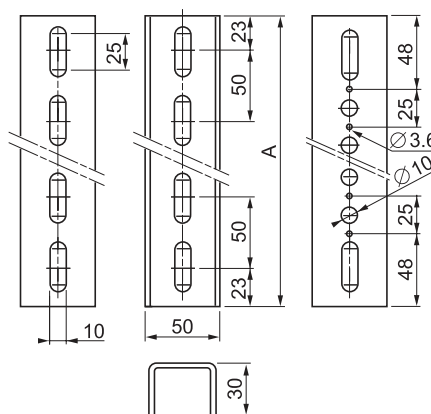
Standard uprights

- Vertical uprights for fixing plates and rails.
- They can be fixed on the mounting plate fixing brackets or on the upright fixing bracket, ref. **NSYMF8**.
- Adjustable height with a pitch of 25 or 50 mm.
- Material: galvanised steel.
- Thickness: 2 mm.



Supply: two standard vertical uprights.

Nominal dimensions (mm)	Reference
Height (A)	Standards
1800	NSYVR18
2000	NSYVR20
2200	NSYVR22



Nuts and screws for standard uprights

- Flat nut for standard uprights.
- Hexagonal screw with washer.

Nuts and screws for standard vertical upright	Supply (units)	Reference
M6 flat nut	50	NSYFNM6
M8 flat nut	50	NSYFNM8
M6 × 12 screw	100	NSYS12M6H
M6 × 16 screw	100	NSYS16M6H
M6 × 18 screw	100	NSYS18M6H
M8 × 16 screw	100	NSYS16M8H
M8 × 20 screw (1)	100	NSYS20M8H

(1) Screw without captive washer.



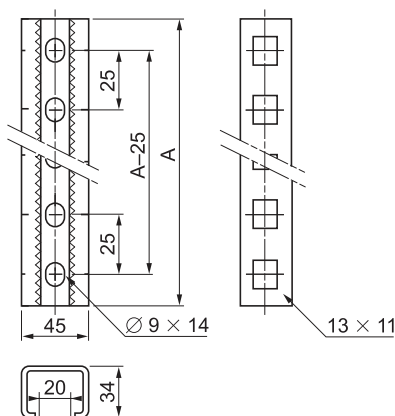
Reference by unit. Order by multiples of 50 (Flat nuts) and 100 (Screws).

Mounting

Installation accessories



For ranges
SF, SM, SFX, SMX,
SD, SDX, PLA



Technical uprights

- Vertical uprights for fixing plates and rails.
- They can be fixed to the fixing brackets of the mounting plate or to the upright-fixing bracket (ref. **NSYMFB**).
- Adjustable height in steps of 2.5 mm (with quarter-turn nuts, ref. **NSYSNM6** or **NSYSNM8**) or 25 mm (with cage nuts, ref. **NSYCNFM6** or **NSYCNFM8**).
- Material: zinc-coated steel.
- Thickness: 2 mm.

Supply: 2 standard uprights.

Enclosure height	A	Reference
750	625	NSYTVR7
1000*	675	NSYTVR8
1000	875	NSYTVR10
1200	1075	NSYTVR12
1250	1125	NSYTVR125
1400	1275	NSYTVR14
1500	1375	NSYTVR15
1600	1475	NSYTVR16
1800	1675	NSYTVR18
2000	1875	NSYTVR20
2200	2075	NSYTVR22

* Control desk.

Nuts and screws for technical uprights

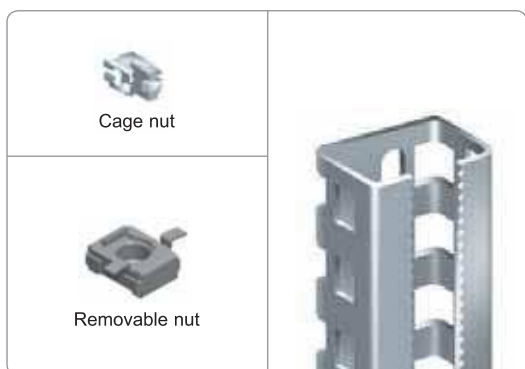
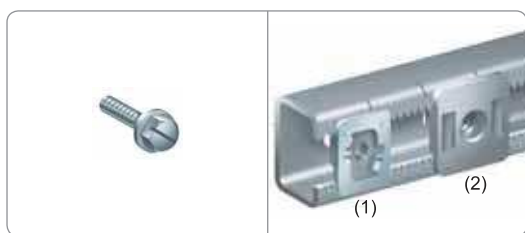
- Clip-on quarter-turn sliding nuts.
- Hexagonal screw with washer.

Nuts and screws for technical vertical upright	Supply (units)	Reference
M6 quarter-turn sliding nut (1)	10	NSYSNM6
M8 quarter-turn sliding nut (1)	10	NSYSNM8
M6 quarter-turn serrated sliding nut (2)	10	NSYSNSM6
M8 quarter-turn serrated sliding nut (2)	10	NSYSNSM8
M6 × 12 screw	100	NSYS12M6H
M6 × 16 screw	100	NSYS16M6H
M6 × 18 screw	100	NSYS18M6H
M8 × 16 screw	100	NSYS16M8H
M8 × 20 screw	100	NSYS20M8H

- The nuts are intended for installation in the 13 × 11 mm holes of the structure, the technical uprights and the cross-rails, every 25 mm.

Supply: 50 units.

Nuts for technical upright	Reference
M6 cage nut	NSYCNFM6
M8 cage nut	NSYCNFM8
M6 removable nut	NSYCNM6
M8 removable nut	NSYCNM8



Mounting

Installation accessories



Bracket for fixing uprights

- Brackets for fixing the uprights, standard or technical, at the same level as the structure, obtaining a greater working surface inside the enclosure.
- They allow two pairs of uprights to be fixed back to back, doubling the working surface.
- The brackets are fixed to the structure by means of M6 self-tapping screws.
- Adjustable depth with a pitch of 25 mm.
- Material: zinc-coated steel.



Supply: four brackets for fixing uprights and fixing elements.

[For ranges
SF, SFX, SMX,
SD, SDX]

Reference

NSYMF8




Mounting

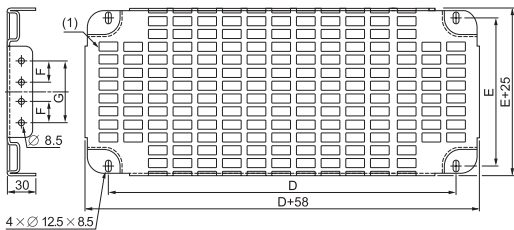
Installation accessories



Telequick partial mounting plate

- Allows the installation of switchgear without drilling or screwing.
- Plate designed for quick fixing of switchgear by means of the clip-on nuts, ref. **NSYKMM3** to **NSYKMM6**. See page 7/27.
- Fixing options:
 - Directly to the vertical uprights of the structure, by means of self-tapping screws (only Spacial SF).
 - To the vertical equipment uprights, by means of sliding nuts, page 7/24; to standard uprights by means of flat nuts, page 7/23 or self-tapping screws, and to mounting cross-rails.
- Vertical continuity is guaranteed by vertical mounting of plates.
- The top plate must be fixed in the third hole, 80 mm from the top frame.
- Material: zinc-coated steel.

 Supply: 1 telequick partial mounting plate and fixing elements.



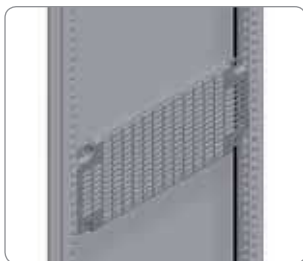
(1) 11 × 26 perforations in steps of 15 × 30.

[For ranges
SF, SM, SFX,
SMX **]**

Nominal dimensions (mm)	Plate height (mm)				Usable surface (dm ²)	Reference	
	Width (B)	D	E	F			G
600		450	200	-	100	11.4	NSYSTMP2260
		450	425	-	325	22.8	NSYSTMP4560
		450	575	125	475	30.4	NSYSTMP6060
		450	800	250	700	41.9	NSYSTMP8260
800		650	200	-	100	15.9	NSYSTMP2280
		650	425	-	325	31.8	NSYSTMP4580
		650	575	125	475	42.4	NSYSTMP6080
		650	800	250	700	58.4	NSYSTMP8280
1000		850	200	-	100	20.4	NSYSTMP22100
		850	425	-	325	40.8	NSYSTMP45100
		850	575	125	475	54.4	NSYSTMP60100
		850	800	250	700	74.9	NSYSTMP82100
1200		1050	200	-	100	24.9	NSYSTMP22120
		1050	425	-	325	49.9	NSYSTMP45120
		1050	575	125	475	66.5	NSYSTMP60120
		1050	800	250	700	91.5	NSYSTMP82120
1600	Order two 800-mm plates						

7

Examples of installation on Spacial SF



(1) Perforated mounting plate on structure.



(2) Perforated mounting plate fixed on technical uprights.



(3) Perforated mounting plate on standard uprights.



(4) Perforated mounting plate fixed on cross-rails.



See also
the accessories



Fixings and nuts
page 7/67

Mounting

Installation accessories



Clip-on nuts

- Clip-on nuts for Telequick mounting plate.
- Used for fixing switchgear.



Supply: 100 units.



References per unit. To be ordered in multiples of 100 (100, 200, 300, etc.).

Type	Reference
M3	NSYKNM3
M4	NSYKNM4
M5	NSYKNM5
M6	NSYKNM6



See also
the accessories



Plastic cable support
ref. **NSYSPC**
page 7/122



Lyre-shaped clamp for plate
ref. **NSYGCR**
page 7/123

Mounting

Installation accessories



Rail support bracket

- Bracket for fixing rails at an angle of 45°.
- **Spacial SF**: mounted on the structure and/or mounting plates.
- **Spacial SM**: mounted on the bottom mounting rail and/or mounting plates.
- Material: zinc-coated steel.



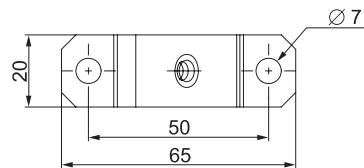
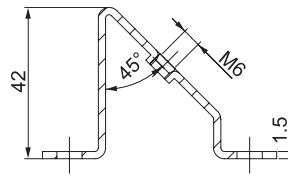
Supply: ten units and fixing elements.



Reference by unit. Order by multiples of 10 (10, 20, 30...).

Reference

NSYFB45



Terminal-block support bracket

- Tilted to 45°.
- Material: treated steel.



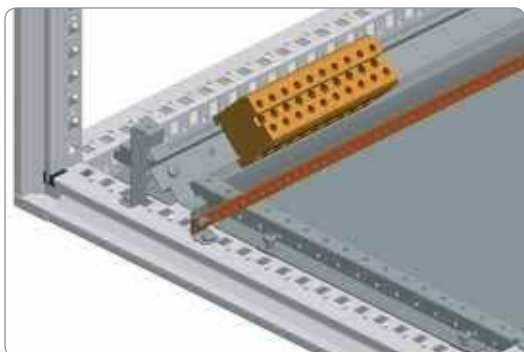
Composition: 2 lugs and fixings

Reference

NSYEDCO

Mounting

Installation accessories



Combined support bracket

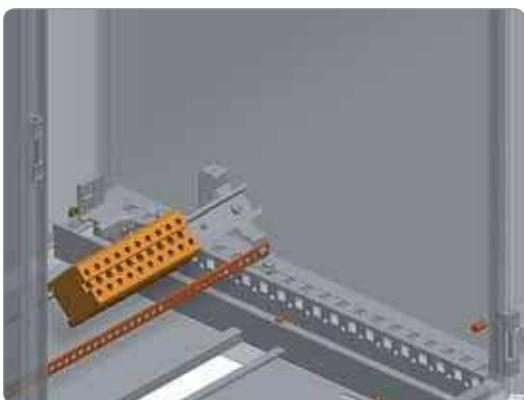
- Allow the installation of a DIN rail and an earthing strip on different planes, to minimise the cable radiuses.
- **Spacial SF** installation: directly on the structure and/or using mounting plates.
- **Spacial SM** installation: on the bottom adjustment rails and/or on mounting plates.
- Material: zinc-coated steel.



Supply: ten combined support brackets and fixing elements.

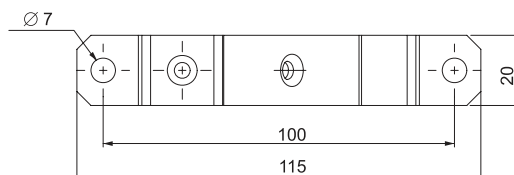
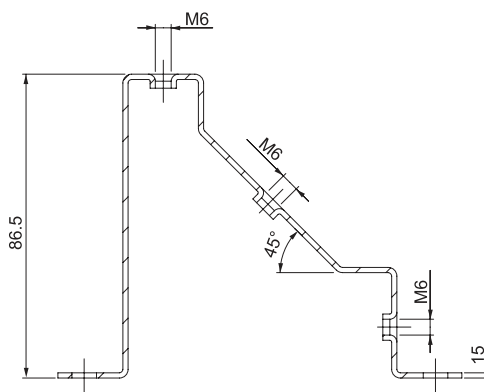


Reference by unit. Order by multiples of 10 (10, 20, 30...).



Reference

NSYETF



Combined fixing lugs for the earthing strip

- They allow the mounting of an earth-collector rail at the bottom of the enclosure and a DIN rail.
- Tilted to 30°.
- Earthing strip, ref. **NSYECB1M153**. See page 7/140.



Composition: 2 fixing lugs and fixing elements.

Reference

NSYEDCOC

Mounting

Installation accessories



[For ranges
SF, SM, SFX, SMX]

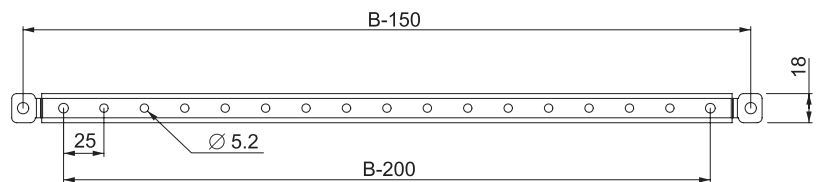
Door cross rails

- Direct mounting cross rails on the profiles of the reinforcement frame of the door.
- Adjustable height with a pitch of 25 mm.
- Material: galvanised steel.
- Thickness: 2 mm.



Supply: two cross rails and bag of fixings.

Nominal dimensions (mm)	Reference
Width (B)	
400	NSYSDCR4
500	NSYSDCR5
600	NSYSDCR6
800	NSYSDCR8
1000	NSYSDCR10



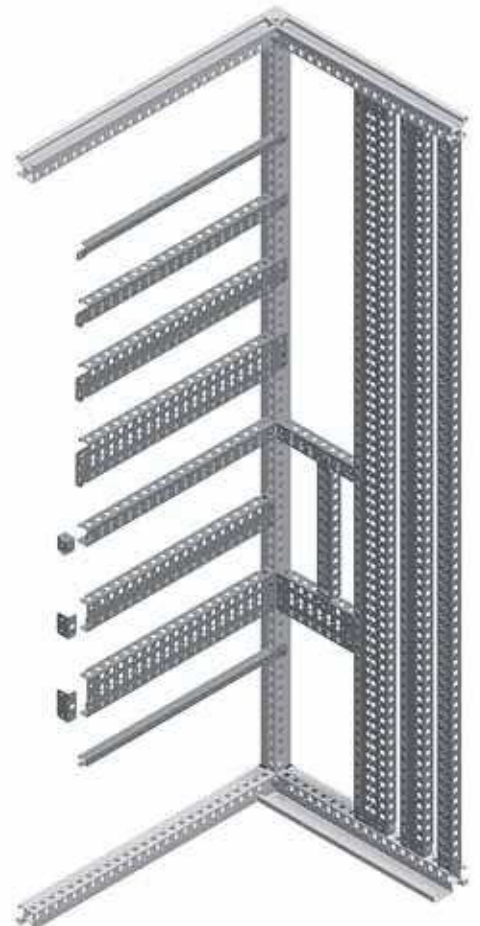
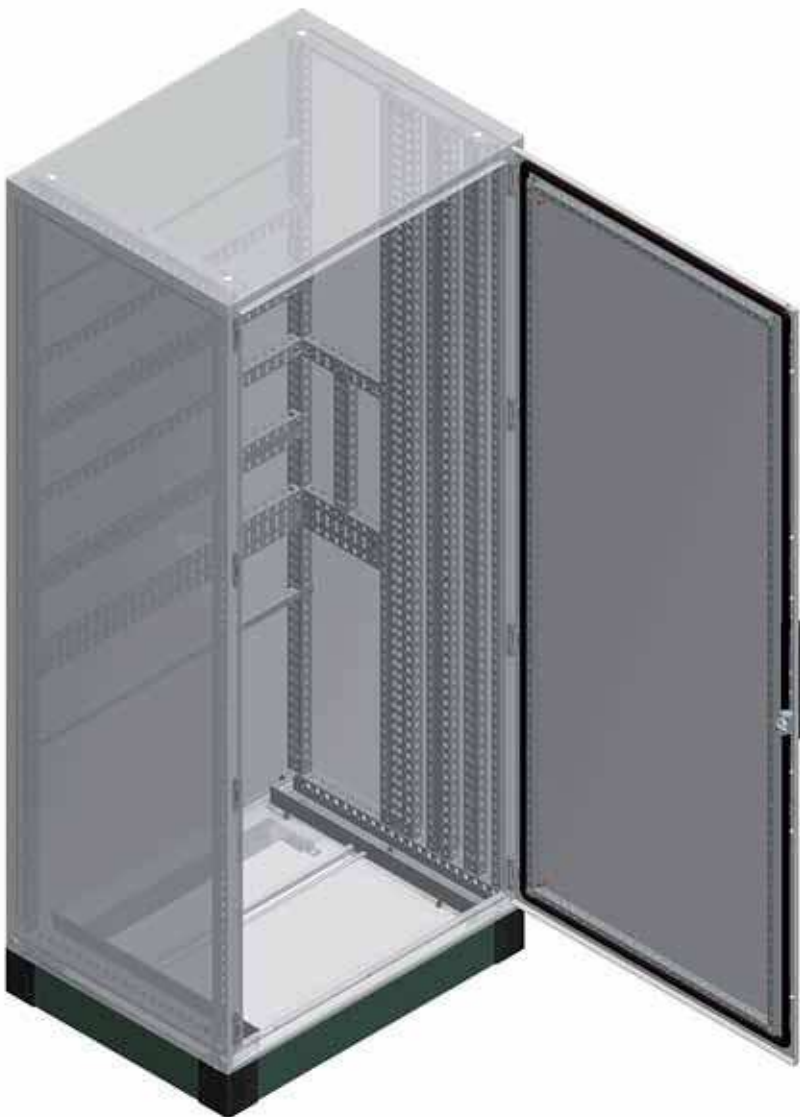
Combination examples

In the **Spacial SF, SM, SFX** and **SMX** enclosures, it is possible to create a fixing at any point of the inner volume, providing mounting planes with different widths, heights and depths.

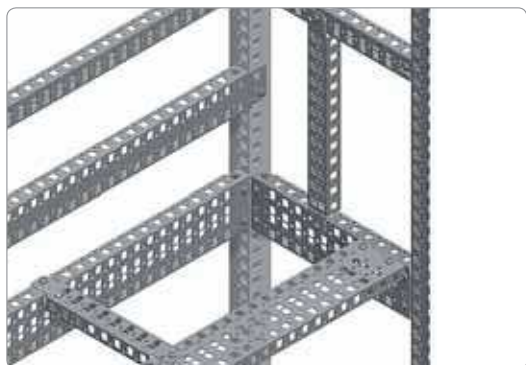
In the case of the **Spacial SM**, it may be necessary to install vertical/horizontal adaptation profiles and 40-mm universal cross rails (1 row).

For the formation of structures inside the enclosure, it is possible to combine three types of cross rails:

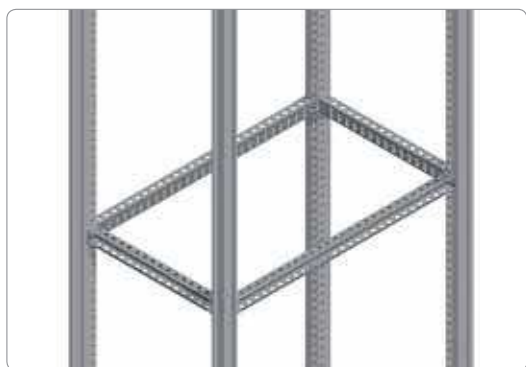
- Universal cross rails of 40 (1 row), 65 (2 rows) and 90 mm (3 rows).
- Quick-fixing cross rails of 40 (1 row), 65 (2 rows) and 90 mm (3 rows).
- Light cross rails.
- Mounting plate sliding rails, see page 7/14.



Mounting

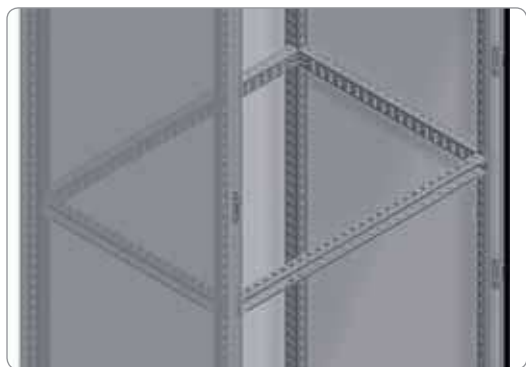


Spacial SF and SFX: the cross rails can be fixed to the structure and among each other, offering multiple possibilities.



The universal cross rails allow installations at the same level, around the entire perimeter of the enclosure.

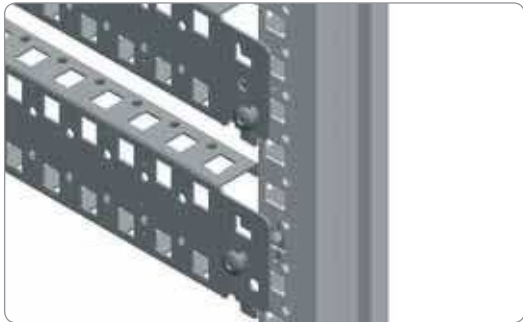
To perform this type of installation in a **Spacial SM** enclosure, the vertical adaptation profile and the vertical 40-mm universal cross rail (1 row) are required, mounted in the back of the enclosure.



7



Spacial SF: the universal cross rails can be installed in vertical position.



The quick-fixing cross rails can be fixed directly to the structure, quickly and easily.

● **Spacial SF and SFX*:**

– They clip onto the structure and are fixed by M6 self-tapping screws, or optionally with M6 caged nuts.

● **Spacial SM:**

– Possibility of clipping onto the adaptation profile or another cross rail.

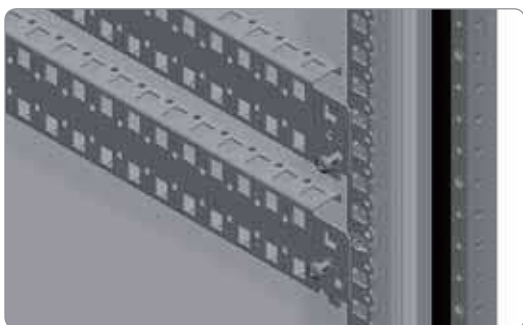
– Fixing by means of M6 self-tapping screws.

– Fixing by means of M6 caged nuts.

* In enclosures Spacial SFX is not possible to mount it in depth.



The quick-fixing cross rails can be used as a support for equipment in the back of the enclosure or offset with a pitch of 25 mm, using two universal cross rails in vertical position.



The main fixing point to the quick-fixing cross rails is the 5.2 mm drill hole for M6 self-tapping screw, although they can also receive M6 and M8 caged nuts.

Mounting

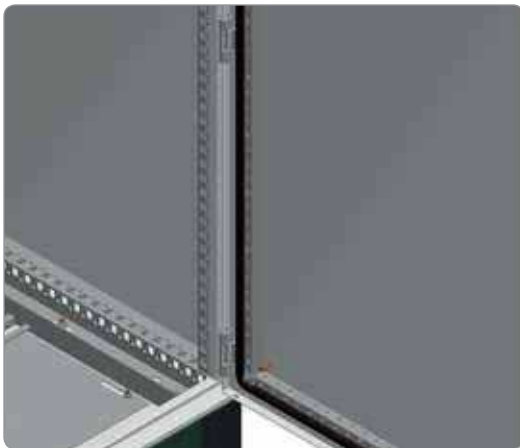
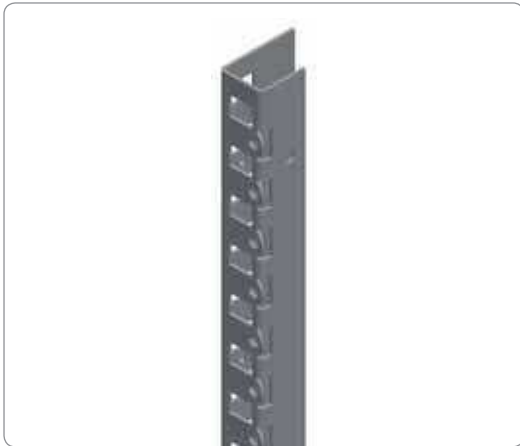
Installation accessories

Vertical adaptation profiles

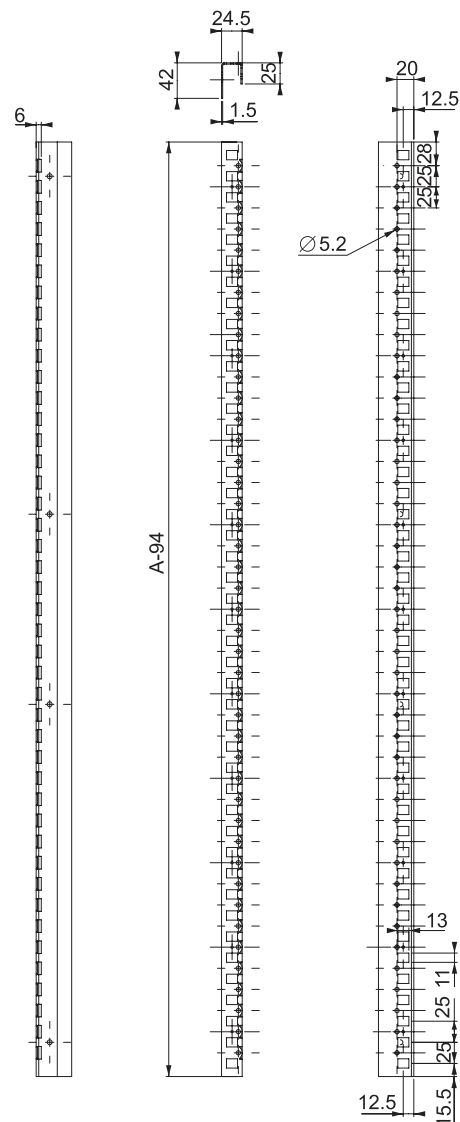
- The vertical adaptation profiles provide fixing points at the entrance to the enclosure.
- Fixing on the screws of the hinge and catches of the lock.
- Allows the depthwise fixing of cross rails, etc.
- Material: steel.
- Thickness: 1.5 mm.
- Finish: zinc-coated.



Supply: 2 vertical adaptation profiles and fixing screws.



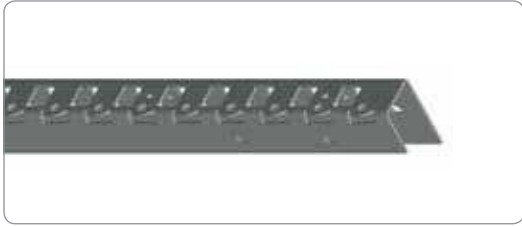
Nominal height (mm) (A)	Reference
1200	NSYSMVR12
1400	NSYSMVR14
1600	NSYSMVR16
1800	NSYSMVR18
2000	NSYSMVR20



[For ranges
SM]

Mounting

Installation accessories

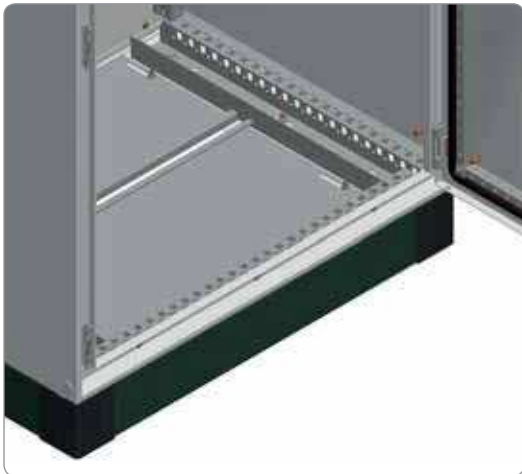


Horizontal adaptation profiles

- The horizontal adaptation profiles provide fixing points at the entrance to the enclosure.
- Material: steel.
- Thickness: 1.5 mm.
- Finish: zinc-coated.

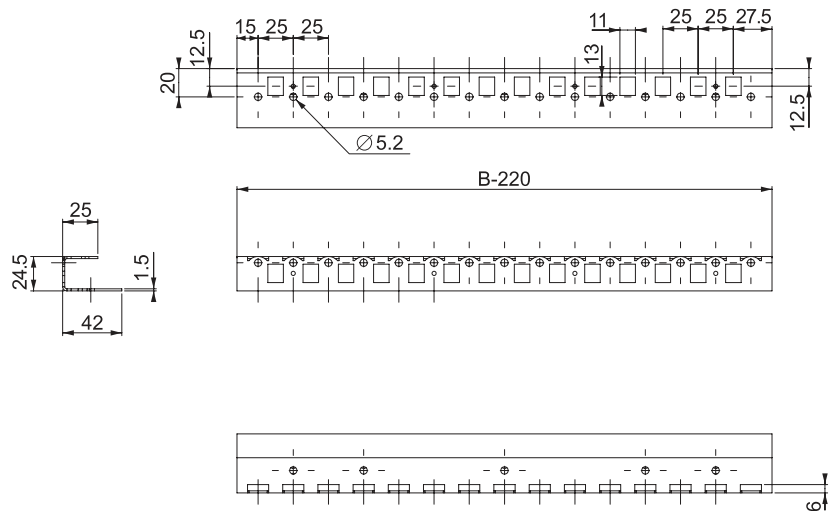


Supply: 2 horizontal adaptation profiles and fixing screws.



Nominal width (mm) (B)	Reference
600	NSYSMHR6
800	NSYSMHR8
1000	NSYSMHR10
1200	NSYSMHR12
1600	NSYSMHR16


[For ranges SM]

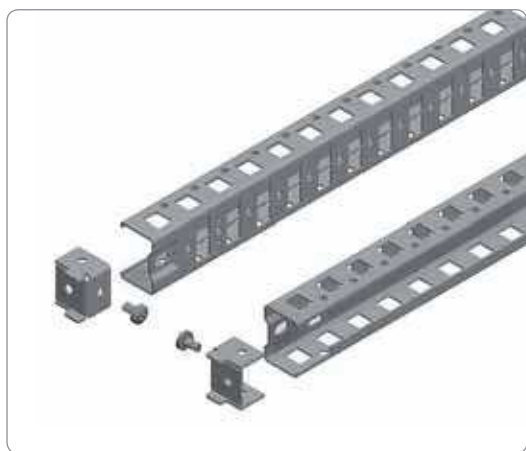


For ranges
SF, SM, SFX,
SMX

Universal cross rails

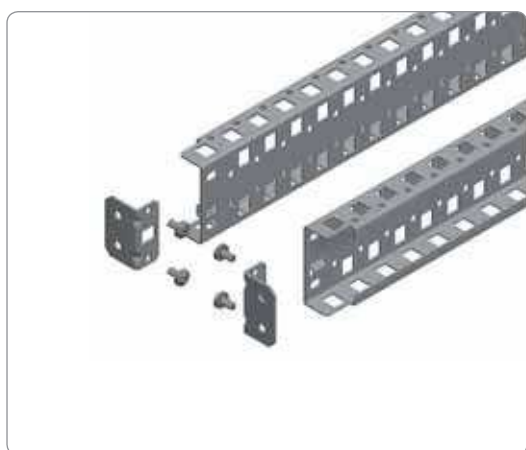
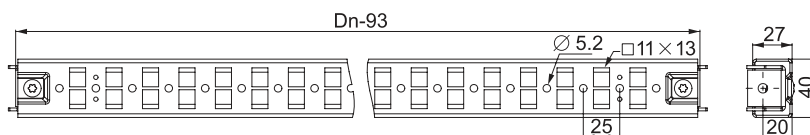
- Various versions available, according to the width: 40 (1 row), 65 (2 rows) and 90 mm (3 rows), perforated with a pitch of 25 mm for the formation of structures inside the enclosure.
- They allow the performance of any type of assembly, as well as the adjustment of the depth of the various types of installation systems (partial plates, 19" racks, etc.).
- Material: zinc-coated steel.
- Thickness: 1.5 mm.

 Supply: two universal cross rails, four supports for universal cross rails and fixing elements.



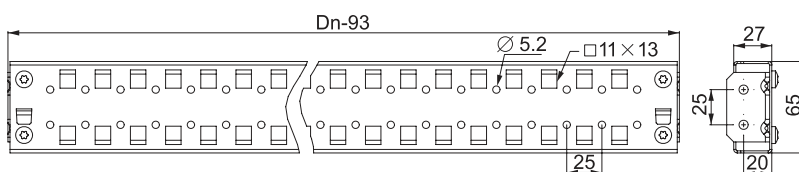
Nominal dimensions	Maximum load	Reference
Height/Width/Depth (mm)	(kg) by rail	40 mm (1 row)
300	70	NSYSUCR4030
400	60	NSYSUCR4040
500	60	NSYSUCR4050
600	50	NSYSUCR4060
800	40	NSYSUCR4080
1000	30	NSYSUCR40100
1200	20	NSYSUCR40120
1400	(1)	NSYSUCR40140
1600	(1)	NSYSUCR40160
1800	(1)	NSYSUCR40180
2000	(1)	NSYSUCR40200
2200	(1)	NSYSUCR40220

(1) For vertical assembly only.



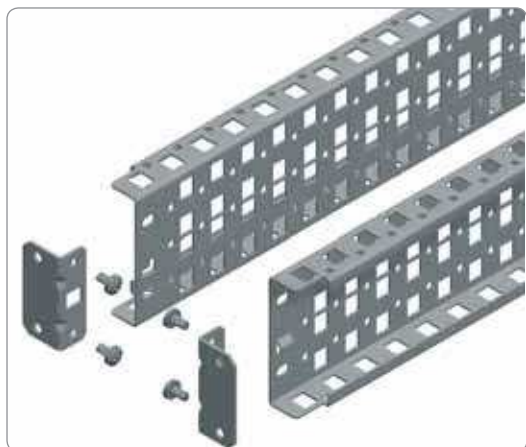
Nominal dimensions	Maximum load	Reference
Height/Width/Depth (mm)	(kg) by rail	65 mm (2 rows)
300	110	NSYSUCR6530
400	100	NSYSUCR6540
500	90	NSYSUCR6550
600	80	NSYSUCR6560
800	70	NSYSUCR6580
1000	50	NSYSUCR65100
1200	50	NSYSUCR65120
1400	(1)	NSYSUCR65140
1600	(1)	NSYSUCR65160
1800	(1)	NSYSUCR65180
2000	(1)	NSYSUCR65200
2200	(1)	NSYSUCR65220

(1) For vertical assembly only.



> Advantage:

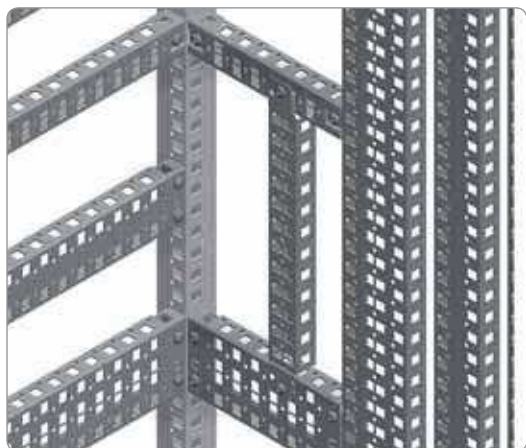
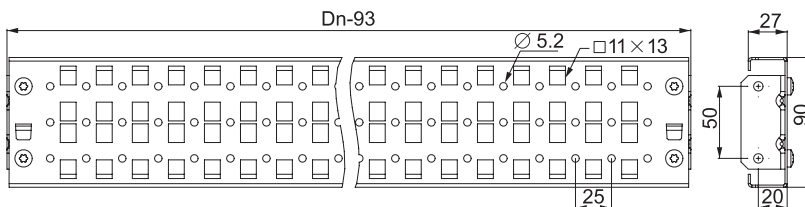
The universal cross rails allow any type of installation to be performed.



[For ranges SF, SM, SFX, SMX]


Nominal dimensions	Maximum load (kg) by rail	Reference
Height/Width/Depth (mm)		90 mm (3 rows)
300	130	NSYSUCR9030
400	120	NSYSUCR9040
500	120	NSYSUCR9050
600	110	NSYSUCR9060
800	100	NSYSUCR9080
1000	70	NSYSUCR90100
1200	70	NSYSUCR90120
1400	(1)	NSYSUCR90140
1600	(1)	NSYSUCR90160
1800	(1)	NSYSUCR90180
2000	(1)	NSYSUCR90200
2200	(1)	NSYSUCR90220

(1) For vertical assembly only.



Other dimensions

- Other dimensions of universal cross rails of 40 (1 row) and 90 mm (3 rows) for assembly in other positions, and between cross rails.
- Material: zinc-coated steel.
- Thickness: 1.5 mm.

 Supply: two universal cross rails, four supports for universal cross rails and fixing elements.


Nominal dimensions	Maximum load (kg) (1)	Reference	Maximum load (kg) by rail	Reference
		40 mm (1 row)		90 mm (3 rows)
700	50	NSYSUCR4070	110	NSYSUCR9070
900	40	NSYSUCR4090	100	NSYSUCR9090
1100	30	NSYSUCR40110	70	NSYSUCR90110
1500	(1)	NSYSUCR40150	(1)	NSYSUCR90150

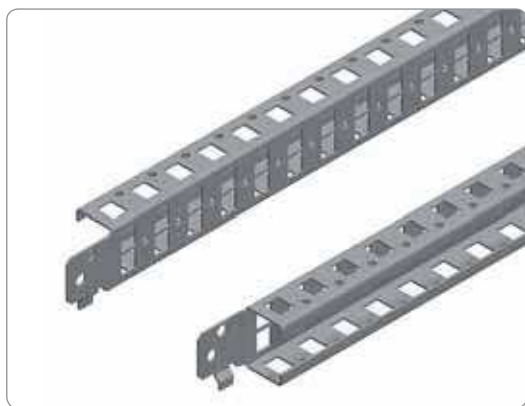
(1) Cross rails only for fixing cables.

For ranges
SF, SM, SFX,
SMX

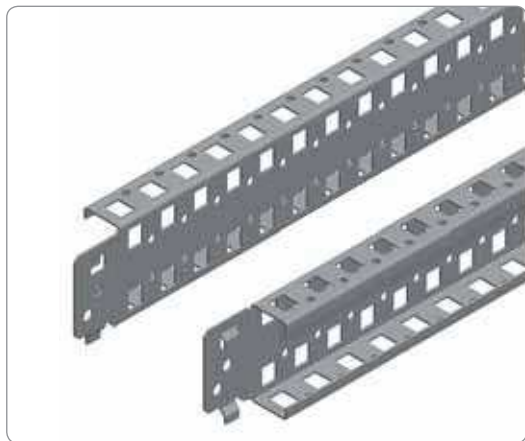
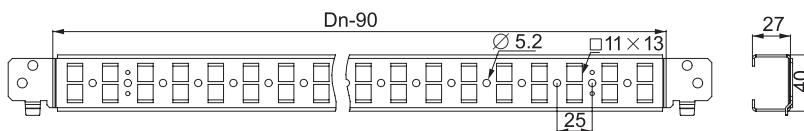
Quick-fixing cross rails

- There are 3 models, according to width: 40 mm (1 row), 65 mm (2 rows) and 90 mm (3 rows), perforated with a pitch of 25 mm (\varnothing 5.2 mm).
- Adjustable with a pitch of 25 mm.
- **Spacial SF:** they are fixed directly to the structure, quickly and safely. Clip-on plus screwing.
- **Spacial SM:** cross rails for depthwise fixing by means of adaptation profiles and 40 mm universal cross rails (1 row), or between cross rails in any other position.
- Material: zinc-coated steel.

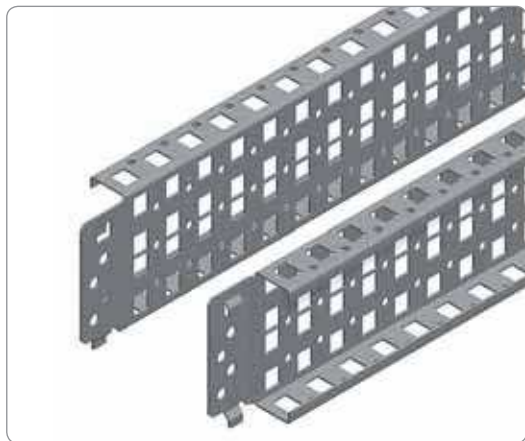
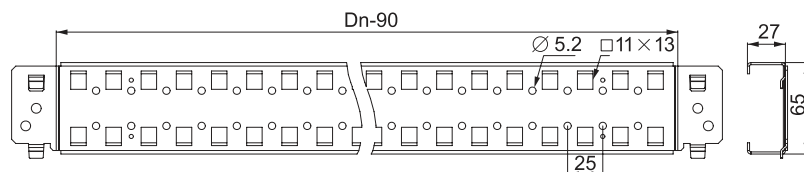
 Supply: two quick-fixing cross rails and fixing elements.



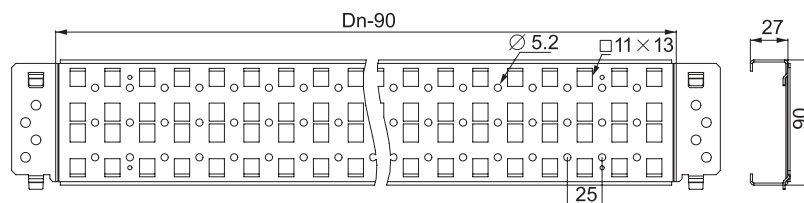
Nominal dimensions	Maximum load (kg) by rail	Reference
Height/Width/Depth		40 mm (1 row)
400	60	NSYSQCR4040
500	60	NSYSQCR4050
600	50	NSYSQCR4060
800	40	NSYSQCR4080
1000	30	NSYSQCR40100
1200	20	NSYSQCR40120

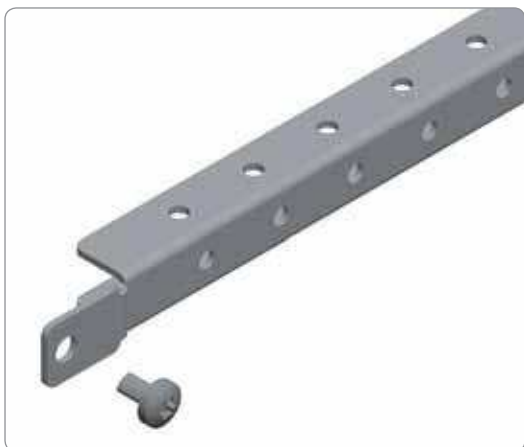


Nominal dimensions	Maximum load (kg) by rail	Reference
Height/Width/Depth		65 mm (2 rows)
400	100	NSYSQCR6540
500	90	NSYSQCR6550
600	80	NSYSQCR6560
800	70	NSYSQCR6580
1000	50	NSYSQCR65100
1200	50	NSYSQCR65120



Nominal dimensions	Maximum load (kg) by rail	Reference
Height/Width/Depth		90 mm (3 rows)
400	120	NSYSQCR9040
500	120	NSYSQCR9050
600	110	NSYSQCR9060
800	100	NSYSQCR9080
1000	70	NSYSQCR90100
1200	70	NSYSQCR90120





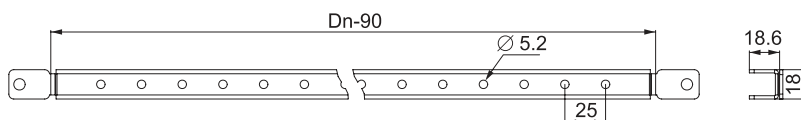
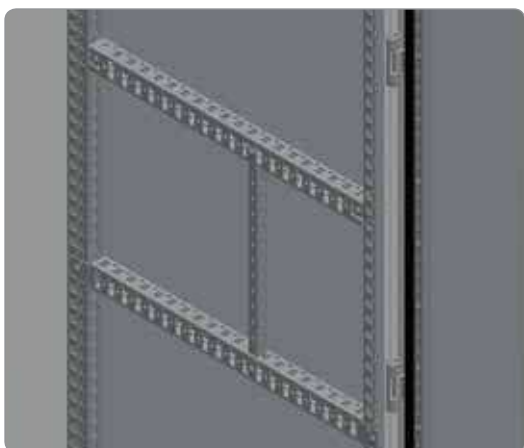
Light cross rails

- **Spacial SF and SFX:** direct fixing to the structure or between cross rails.
- **Spacial SM:** fixing by means of adaptation profiles and 40-mm universal cross rails (1 row), or between cross rails in any other position.
- Adjustable with a pitch of 25 mm.
- The light cross rails are equipped with a row of drill holes with a diameter of 5.2 mm and a pitch of 25 mm, which allows fixing with an M6 self-tapping screw, ref. **NSYST30M6S**.
- Material: zinc-coated steel.



Supply: two light cross rails and fixing elements.

Nominal dimensions	Reference
Width/Depth	
400	NSYSLCR40
500	NSYSLCR50
600	NSYSLCR60
800	NSYSLCR80



[For ranges SF, SFX, SM]



Rails for heavy loads

- They can be mounted with a cable-gland plate or with a previously mounted mounting plate.
- Laterally adjustable with a pitch of 25 mm.
- Elongated holes, for adjusting the centre-to-centre distance of the switchgear.
- Material: galvanised steel.
- Thickness: 4 mm.








Supply: 2 rails for heavy loads and fixing elements.

Nominal dimensions (mm)	Maximum load (kg)	Reference
Depth		
400	575	NSYHLCR40
500	525	NSYHLCR50
600	500	NSYHLCR60
800	475	NSYHLCR80


[For ranges SF]

Fixing elements

- **Caged nuts:** they are installed in the rectangular cut-outs of the structure and the cross rails.
- **Removable nuts:** they are installed in the rectangular cut-outs of the structure and the cross rails, easy to extract and reuse.
- **Screw with washer:** they make assembly easier in difficult-access locations.
- **Metric Torx screw:** to fix on the caged and/or removable nuts.
- **Torx self-tapping screw:** to fix on the structure or on the cross rails.

	Fixing element	Supply (units)	Reference
	M6 caged nut	50	NSYCNFM6
	M8 caged nut	50	NSYCNFM8
	M6 removable nut	50	NSYCNM6
	M8 removable nut	50	NSYCNM8
	M6 × 12 mm	100	NSYS12M6H
	M6 × 16 mm	100	NSYS16M6H
	M6 × 18 mm	100	NSYS18M6H
	M8 × 16 mm	100	NSYS16M8H
	M8 × 20 mm	100	NSYS20M8H
	Torx T30 M6 × 16 mm screw (1)	100	NSYST30M6
	Torx T40 M8 × 16 mm screw (1)	100	NSYST40M8
	Torx T30 M6 × 12 mm self-tapping screw (1)	100	NSYST30M6S

(1) Screw without washer.

 Reference by unit. Order by multiples of 50 (nuts) or 100 (screws).

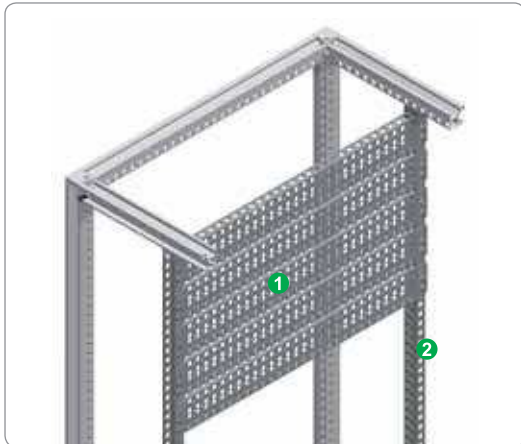
Mounting

Installation examples

Modular universal chassis

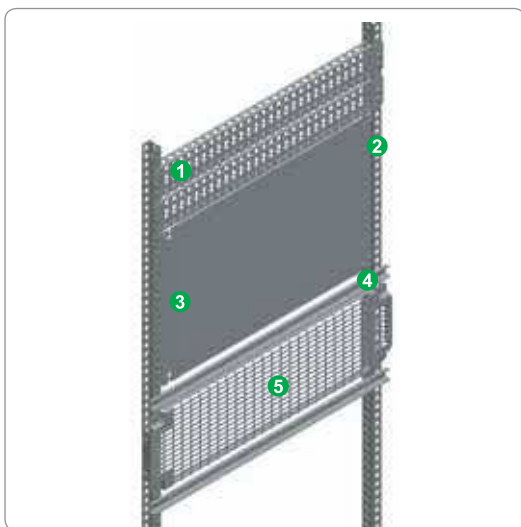
Alternative of assembly with cross rails and accessories (enclosure width 600 mm)

- The 40-mm universal cross rails (1 row) used as depth-adjustable uprights with a pitch of 25 mm allow the installation of a multitude of supports for installing switchgear, allowing their height to be adjusted with a pitch of 25 mm.



- ① 90-mm quick cross rails (3 rows), page 7/38.
- ② 40-mm universal cross rails (1 row), page 7/36.

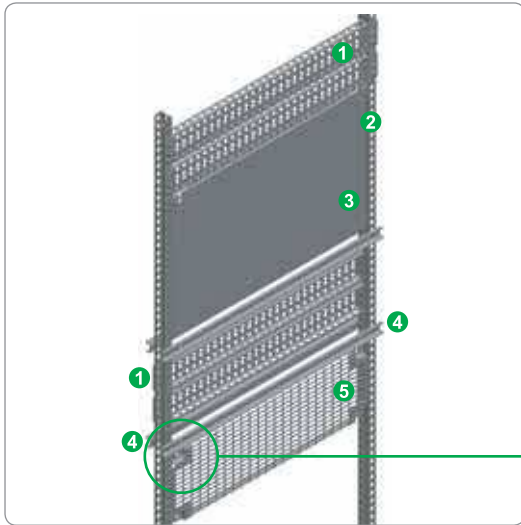
- The modular universal chassis system allows modular and non-modular elements to be installed easily on the same plane, using DIN rails, partial plates and 90-mm cross rails (3 rows) used as pre-perforated plates.



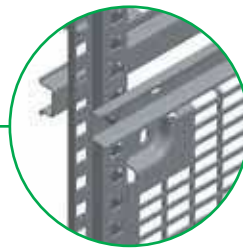
- ① 90-mm quick-fixing cross rails (3 rows), page 7/38.
- ② 40-mm universal cross rails (1 row), page 7/36.
- ③ Partial mounting plate, page 7/20.
- ④ Symmetric DIN rail, page 7/50.
- ⑤ "Telequick" perforated mounting plate, page 7/26.

Mounting

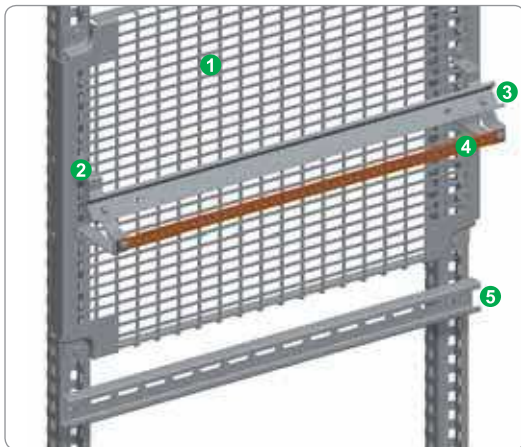
Installation examples



- It provides two working surfaces, front and rear, in enclosures with front and rear access.



- ① 90-mm quick-fixing cross rails (3 rows), page 7/38.
- ② 40-mm universal cross rails (1 row), page 7/36.
- ③ Partial mounting plate, page 7/20.
- ④ Symmetric DIN rail, page 7/50.
- ⑤ "Telequick" perforated mounting plate, page 7/26.



Alternative of assembly with mounting uprights and accessories (enclosure width 600 mm)

- The installation of uprights on the mounting plate brackets allows the creation of chassis with perforated rails and plates, adjustable with a pitch of 2.5 mm, using quarter-turn nuts.

- ① Perforated mounting plate "telequick", page 7/26.
- ② Combined support brackets for earthing bar, page 7/29.
- ③ Symmetric DIN rail, page 7/50.
- ④ Earthing bar, page 7/139.
- ⑤ Symmetric C-shaped rail, page 7/56.

Mounting

Equipment support accessories



System for supporting heavy loads

- System designed for assembling various devices, especially transformers, at the bottom of the enclosure, allowing the passage of cables.
- They are mounted directly on the bottom frame of the enclosure.
- Material:
 - C-shaped rails: zinc-coated steel.
 - T-head screws (M12): galvanised steel.



Supply: two C-shaped rails, four T-head screws, four washers, four nuts and elements for fixing to the enclosure.

Nominal dimensions (mm)	Reference
Width	
600	NSYRSUP6
800	NSYRSUP8
1000	NSYRSUP10
1200	NSYRSUP12



Rails for heavy loads

- They can be mounted with a cable-gland plate or with a previously mounted mounting plate.
- Laterally adjustable with a pitch of 25 mm.
- Elongated holes, for adjusting the centre-to-centre distance of the switchgear.
- Material: galvanised steel.
- Thickness: 4 mm.



Supply: 2 rails for heavy loads and fixing elements.

Nominal dimensions (mm)	Maximum load (kg)	Reference
Depth		
400	575	NSYHLCR40
500	525	NSYHLCR50
600	500	NSYHLCR60
800	475	NSYHLCR80

Mounting

Equipment support accessories



Tray installed on the structure.



Tray installed on cross rails.

Fixed tray

- Options for fixing the tray to the enclosure:
 - If the tray has the same dimensions as the enclosure:
 - **Spacial SF**: direct fixing to the structure.
 - **Spacial SFX**: installation possible only with universal cross rails, see on page 7/36.
 - **Spacial SM**: fixing by means of adaptation profiles and 40-mm universal cross rails (1 row) in vertical position.
 - If the tray is smaller than the dimensions of the enclosure: fixing on depth cross rails.
 - Depth-adjustable tray with a pitch of 25 mm.
- Provided with cut-outs for improving air circulation inside.
- Material: steel.
- Finish: painted with epoxy-polyester resin, RAL-7035 grey.
- Acceptable load: 150 kg, evenly distributed.
- Tray height: 30 mm.



Supply: one fixed tray and fixing elements.

Nominal dimensions (mm)		Tray Dimensions (mm)	Reference
Width	Depth		
600	400	482 × 290 × 30	NSYFXT6040
	500	482 × 390 × 30	NSYFXT6050
	600	482 × 490 × 30	NSYFXT6060
800	400	682 × 290 × 30	NSYFXT8040
	500	682 × 390 × 30	NSYFXT8050
	600	682 × 490 × 30	NSYFXT8060

> Advantage:

Withstands loads of up to 150 kg.

Mounting

Equipment support accessories



Telescopic rails fixed to the structure.



Telescopic rails fixed to cross rails.

Telescopic rails

- **Spacial SF:** installation directly on the structure of the enclosure or on universal cross rails.
- **Spacial SFX:** Instalation possible only with universal cross rails, see on page 7/36.
- **Spacial SM:** installation by means of adaptation profiles and 40-mm universal cross rails (1 row) in vertical position, or on horizontal universal cross rails.
- The installation of a telescopic tray consists of the following:
 - 1 fixed tray.
 - 2 telescopic rails.
- End-of-travel stop of the rails in open and closed position.
- Material: zinc-coated steel.
- Acceptable load: 50 kg evenly distributed.



Supply: two telescopic rails and fixing elements.

Nominal dimensions (mm)		Reference
Depth		
400		NSYTTG40
500		NSYTTG50
600		NSYTTG60

Mounting

Equipment support accessories

Tray cross rails

- The cross rails allow the installation of fixed trays and telescopic rails. Quick and universal cross rails, see page 7/36.

Nominal dimensions (mm)	Universal cross rail reference	Quick-fixing cross rail reference
Depth	40 mm (1 row)	40 mm (1 row)
400	NSYSUCR4040	NSYSQCR4040
500	NSYSUCR4050	NSYSQCR4050
600	NSYSUCR4060	NSYSQCR4060
800	NSYSUCR4080	NSYSQCR4080



Handle for telescopic trays

- Handle designed for easy extraction of the sliding trays.
- Material: polyamide 6 (black).



Supply: two units and fixing elements.

Reference

NSY1TH



Mounting

Equipment support accessories

[For ranges
SFX, SMX]



Printer support

- Support for placing an A4 printer, with area reserved for paper.
- It is fixed directly to the structure of the enclosure, with a depth of 600 mm. For a depth of 800 mm, it can be installed with universal or quick 40-mm (1 row) cross rails (ref. **NSYSUCR4080** or **NSYSQCR4080**).
- Material: steel.
- Finish: painted RAL-7035 grey.



Supply: printer support and fixing elements.

Reference
NSYPSA4

[For ranges
SF]



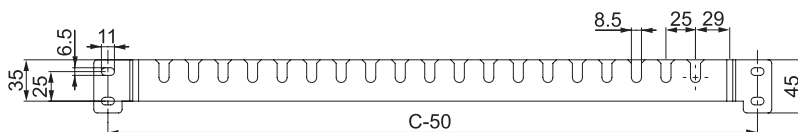
Cross rail for Lütze chassis

- Cross rail for fixing and adjusting the depth of the Lütze chassis.
- Material: galvanised steel.
- Thickness: 2.5 mm.



Supply: 6 cross rails for Lütze chassis and fixing elements.

Nominal dimensions (mm)	Reference
Depth (C)	
400	NSYLCR40
500	NSYLCR50
600	NSYLCR60



Mounting

Equipment support accessories

[For ranges SF]



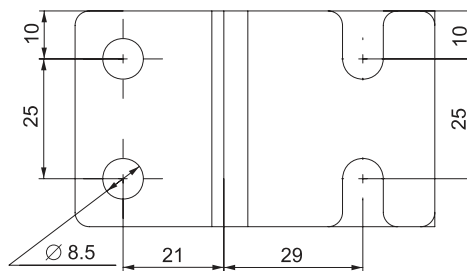
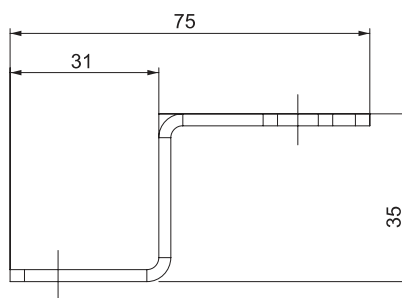
Support for Lütze chassis

- Support for installing Lütze chassis in the back of the enclosure.
- Material: galvanised steel.
- Thickness: 2.5 mm.



Supply: 6 supports and fixing elements.

Reference
NSYLSUP



7

Accessories



Mounting rails

7/50

Symmetric DIN rails

7/50

Asymmetric DIN rails

7/53

Double profile DIN rails

7/55

Symmetric C-shaped rails

7/56

Serrated C-shaped rails

7/57

U/L shaped rails

7/58

Connectors

7/59

Spacers

7/64

Nuts and screws

7/67

7

Mounting Rails



For ranges
SF, SM, SFX, SMX,
SD

Symmetric DIN rails

Symmetric DIN rails for the metal enclosure range

- Fixed to the standard or technical uprights, not included in the supply, or directly to the structure.
- Ensure horizontal continuity in case of enclosure assembly.
- Rail type:
 - Type A: 35 × 15 mm, thickness 1.5 mm.
- Material: zinc-coated steel.

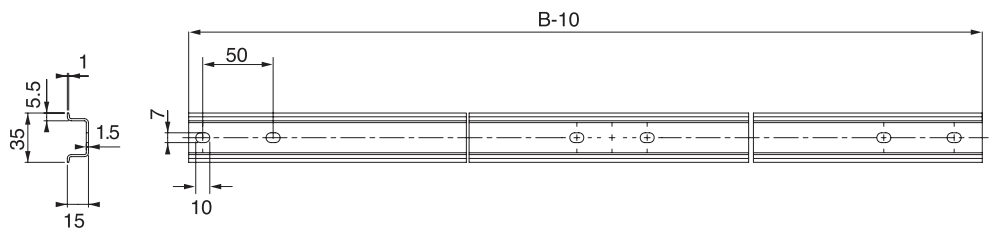


Supply: 20 rails and fixings for direct assembling to the structure.



References per unit. Please place orders in multiples of 20 units (20, 40, etc.).

Dimensions (mm) (B)	Rail length (mm) (B-10)	Reference
600	590	NSYSDR60
800	790	NSYSDR80
1000	990	NSYSDR100
1200	1190	NSYSDR120



See also
the accessories

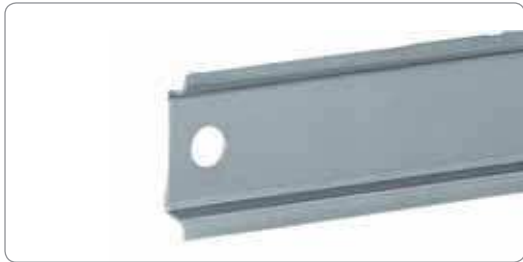


Nuts and fixings
page 7/67



Uprights
page 7/23

Mounting Rails



[For ranges
S3D, S3X, PLM]

Symmetric DIN rail for the Wall-Mounting range

- Fixing to mounting plates or another fixing elements, uprights not included in the supply.
- 2 types:
 - Type A: 35 × 15 mm, thickness 1.5 mm.
 - Type B: 35 × 7,5 mm, thickness 1 mm.
- Material: zinc-coated steel.

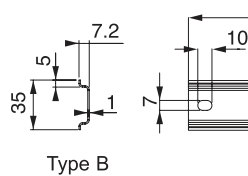
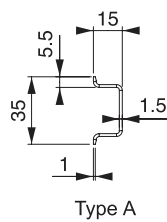


Supply: 20 rails and fixings for direct assembling to the structure.



References by unit. Order by multiples of 20 units (20, 40, etc.).

Dimensions (mm)	Rail type	Rail length (B) (mm)	Reference
300	B	250	NSYSDR30B
400	B	350	NSYSDR40B
500	A	450	NSYSDR50A
600	A	550	NSYSDR60A
800	A	750	NSYSDR80A
1000	A	950	NSYSDR100A



See also
the accessories



Nuts and fixings
page 7/67



Uprights
page 7/23

Mounting Rails



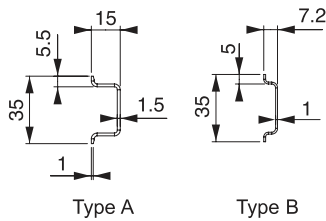
Symmetric DIN rails, 2000-mm version

- Material: galvanised steel.

Supply: 20 rails with a length of 2 m.

References by unit. Order by multiples of 20 units (20, 40, etc.).

Length of the rail (mm)	Perforations	Rail type	Reference
2000	Perforated	A	NSYSDR200
2000	Perforated	B	NSYSDR200B
2000	Not perforated	A	NSYSDR200D
2000	Not perforated	B	NSYSDR200BD

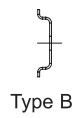


Type A

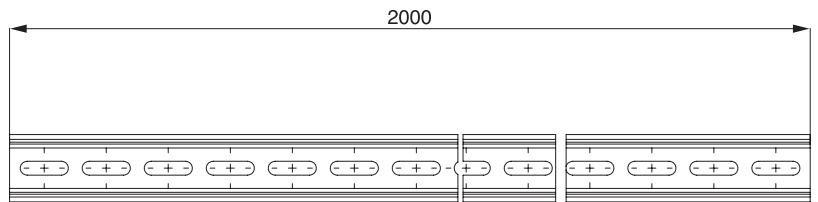
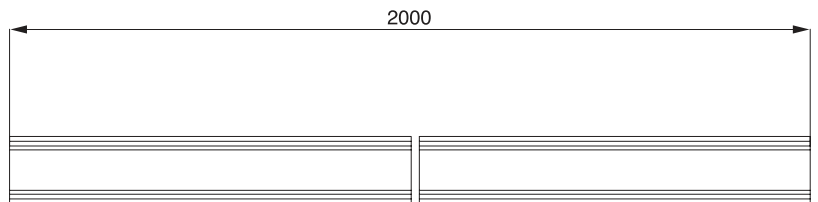
Type B



Type A



Type B



7



See also
the accessories



Nuts and fixings
page 7/67



Uprights
page 7/23

Mounting Rails



For ranges
SF, SM, SFX, SMX,
SD

Asymmetric DIN rails

Asymmetric DIN rails for the Floor-Standing range

- Fixed to the standard or technical uprights, not included in the supply, or directly to the structure.
- Ensure horizontal continuity in the case of enclosure assembly.
- Thickness: 1.5 mm.
- Material: zinc-coated steel.

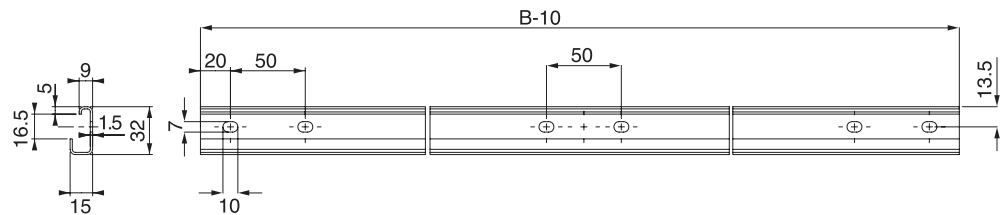


Supply: 20 rails and fixings for direct fixing to the structure.



References by unit. Order by multiples 20 units (20, 40, etc.).

Dimensions (mm) (B)	Rail length (mm) (B-10)	Reference
600	590	NSYADR60
800	790	NSYADR80
1000	990	NSYADR100
1200	1190	NSYADR120



NSYADR60



See also
the accessories



Nuts and fixings
page 7/67




Uprights
page 7/23


Mounting Rails



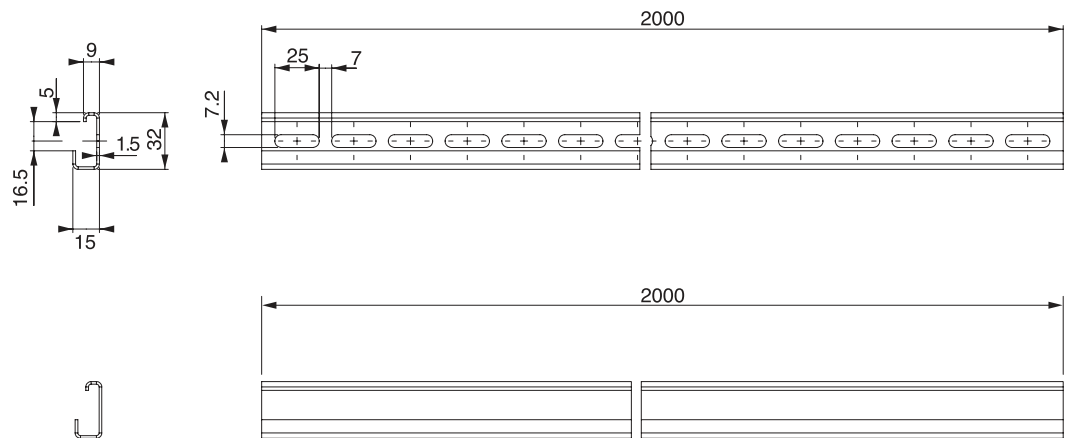
Asymmetric DIN rails, 2000-mm version

- Material: galvanised steel.

 Supply: 20 rails with a length of 2 m.

 References by unit. Order by multiples of 20 units (20, 40, etc.).

Length (mm)	Perforations	Reference
2000	Not perforated	NSYADR200
2000	Perforated	NSYADR200D



7



See also
the accessories



Nuts and fixings
page 7/67



Uprights
page 7/23

Mounting Rails



For ranges
SF, SM, SFX, SMX,
SD

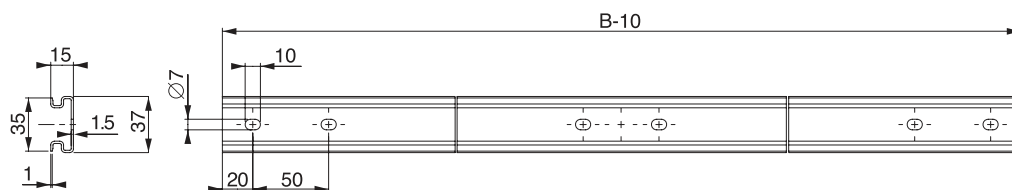
Double-profile DIN rails

- They combine the advantages of symmetric and asymmetric rails.
- They are fixed to the standard or technical uprights (see page 7/23) or directly to the structure.
- Quick installation of terminals according to standard DIN46277/1.
- Thickness: 1.5 mm.
- Material: zinc-coated steel.

Supply: 20 rails and fixings for direct assembling to the structure.

References by unit. Order by multiples of 20 units (20, 40, etc.).

Dimensions (mm) (B)	Rail length (mm) (B-10)	Reference
600	590	NSYDPR60
800	790	NSYDPR80
1000	990	NSYDPR100
1200	1190	NSYDPR120



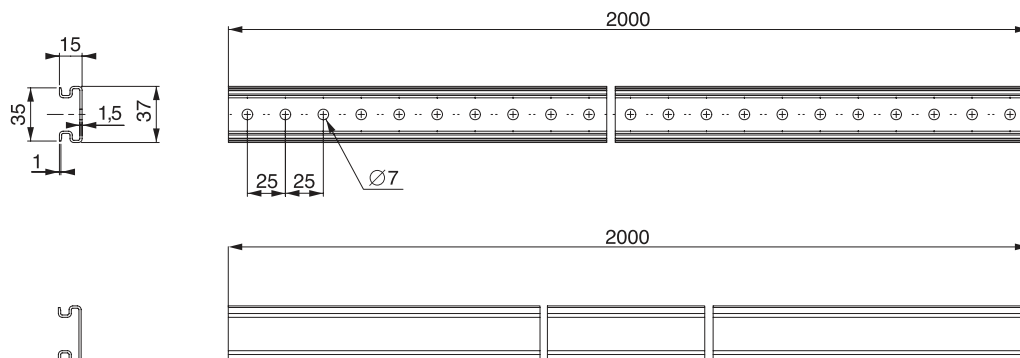
Double-profile DIN rails, 2000-mm version

- Thickness: 1.5 mm.
- Material: galvanised steel.

Supply: 20 rails with a length of 2 m.

References by unit. Order by multiples of 20 units (20, 40, etc.).

Length (mm)	Perforations	Reference
2000	Not perforated	NSYDPR200
2000	Perforated	NSYDPR200D



Mounting Rails



Symmetric C-shaped rails

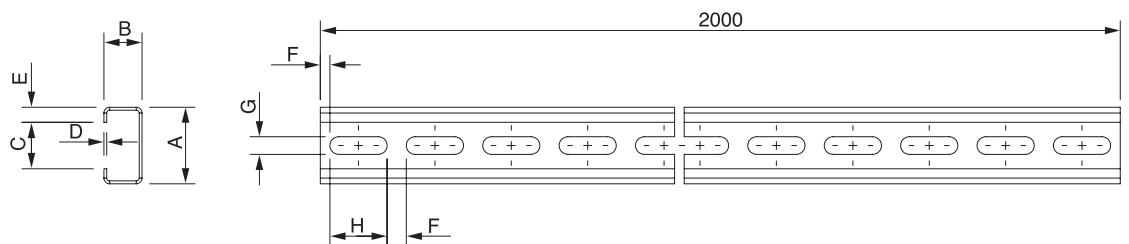
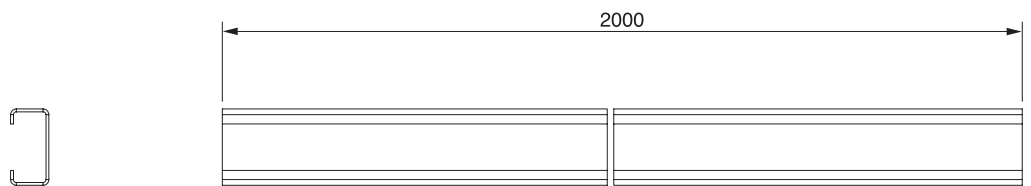
- Rails for supporting and fixing switchgear on panels and enclosures, formation of chassis, racks and panel reinforcements.
- They are fixed to the structure and to one another by means of fixing elements.
- Material: galvanised steel.



References by unit. Order by multiples of the units specified in the supply.

Rail type	A (mm)	B (mm)	C (mm)	D (mm)	E (mm)	F (mm)	G (mm)	H (mm)	Supply	Reference
C20 (1)	21	11	10	1.5	5.5	-	-	-	20	NSYCN20
C40 (1)	40	20	24	1.5	8	-	-	-	20	NSYCN40
C60	60	30	36	2	12	-	-	-	10	NSYCN60
C20	21	11	10	1.5	5.5	5	6.2	15	20	NSYCNT20
C40	40	20	24	1.5	8	10	8.5	30	20	NSYCNT40
C60	60	30	36	2	12	10	10.5	30	10	NSYCNT60

(1) Not perforated.



7



See also
the accessories



Fixing nuts
page 7/68



Connectors for symmetric C
shapped rails page 7/59

Mounting Rails



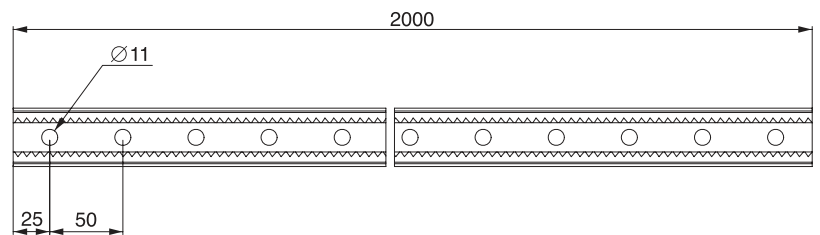
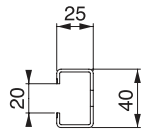
Serrated C-shaped rail for heavy loads

- Marked in steps of 25 mm to facilitate switchgear positioning.
- Thickness: 2 mm.
- Material: zinc-coated steel.



Supply: 2 rails with a length of 2 m.

Dimensions (mm)	Reference
2000	NSYSR200



See also
the accessories



Fixing nuts
page 7/68

Mounting Rails



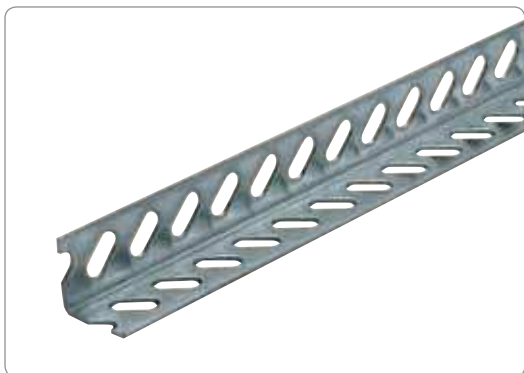
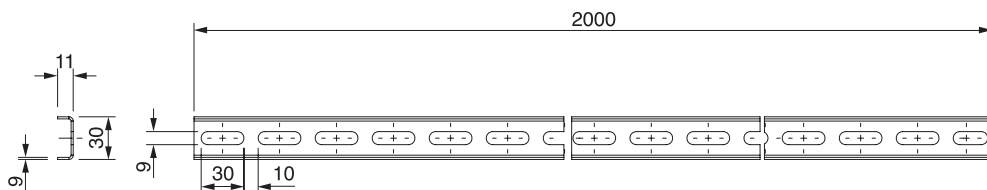
U-shaped rail

- Universal rails with elongated drill holes with a width of 8.5 mm which can house M4, M5 and M6 caged nuts.
- Material: galvanised steel.
- Thickness: 2 mm.

Supply: 20 rails with a length of 2 m.

References by unit. Order by multiples of 20 units (20, 40, etc.).

Dimensions (mm)	Reference
2000	NSYCUT30



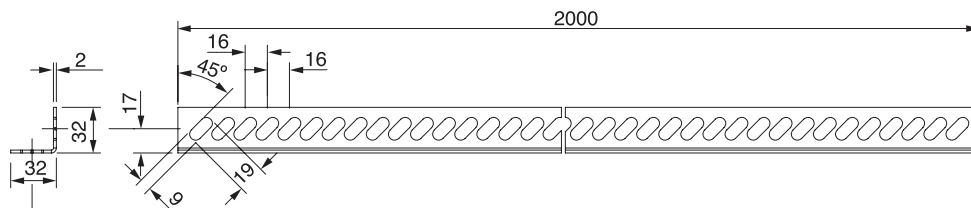
L-shaped rail

- Universal rails with elongated drill holes with a width of 8.5 mm which allow housing of M4, M5 and M6 caged nuts.
- Material: galvanised steel.
- Thickness: 2 mm.

Supply: 20 rails with a length of 2 m.

References by unit. Order by multiples of 20 units (20, 40, etc.).

Dimensions (mm)	Reference
2000	NSYAT32

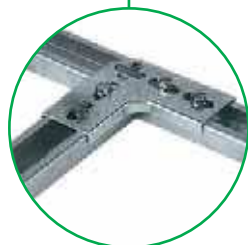


Mounting Rails

Connectors for symmetric C-shaped rails


- The connectors enable the formation of chassis or frames and structures for fixing switchgear, in any position inside the enclosures, allowing the fixing of DIN rails or other elements.
- See symmetric C-shaped rails, page 7/56.
- The fixing between connectors and rails is performed using combiplas nuts.


Examples of combinations with connectors for symmetric C-shaped rails



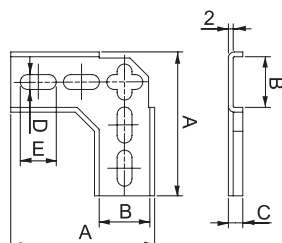
EMA connectors

- The EMA connectors are used to joint two symmetric C-shaped rails, C20 and C40 types, at right angles; they can also be used to obtain a T-shaped assembly.
- Material: zinc-coated steel.
- Thickness: 2 mm.

 Supply: 20 units.

 References by unit. Order by multiples of 20 units (20, 40, 60, etc.).

A (mm)	B (mm)	C (mm)	D (mm)	E (mm)	Reference
60	21.3	6	6.2	15	NSYEMA20
100	40.3	10	8.5	25	NSYEMA40



Mounting Rails



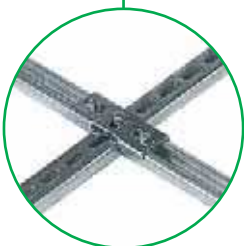
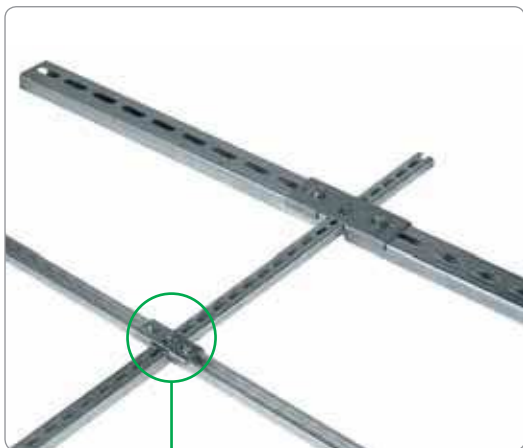
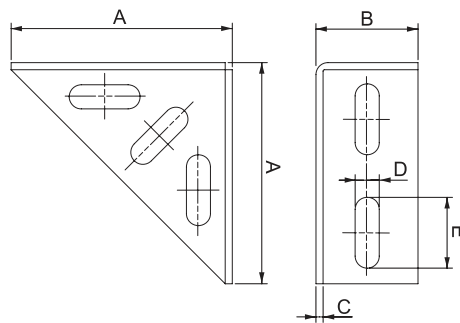
EVA connectors

- The EVA connectors are used to join two symmetric C-shaped rails, C20 and C40 types, forming an overlapping assembly with plane change, or also at right angles for the formation of spacers or supports at a different level.
- Material: zinc-coated steel.

Supply: 20 units.

References by unit. Order by multiples of 20 units (20, 40, 60, etc.).

A (mm)	B (mm)	C (mm)	D (mm)	E (mm)	Reference
43	19	2	6.2	15	NSYEVA20
78	36	2.5	8.5	25	NSYEVA40



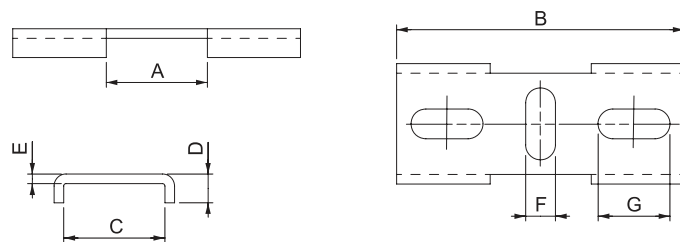
UCA connectors

- The UCA connectors are used to join symmetric C-shaped rails, types C20 and C40, forming a cross-shaped assembly of three rails located on the same plane, for example inside a frame.
- Material: zinc-coated steel.

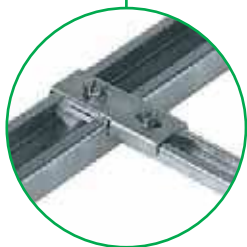
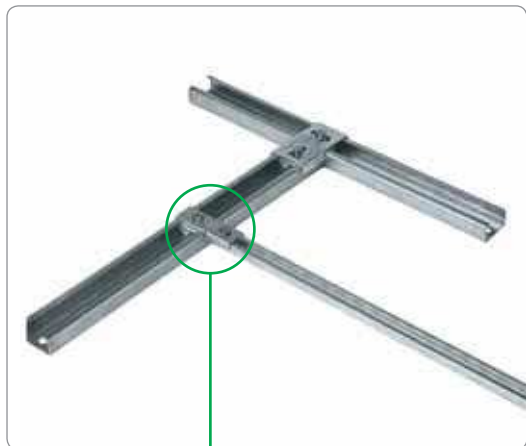
Supply: 20 units.

References by unit. Order by multiples of 20 units (20, 40, 60, etc.).

A (mm)	B (mm)	C (mm)	D (mm)	E (mm)	F (mm)	G (mm)	Reference
21.3	60	21.3	6	2	6.2	15	NSYUCA22
40.3	116	40.3	10	2.5	8.5	25	NSYUCA44



Mounting Rails



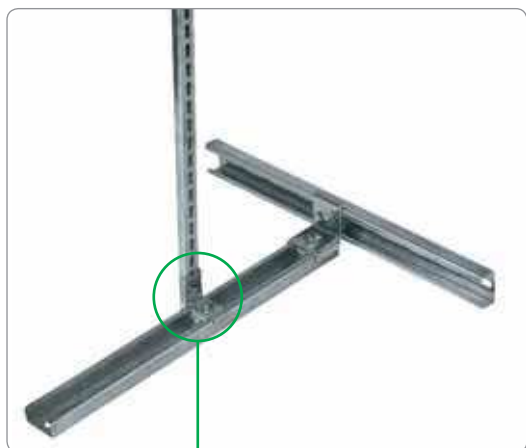
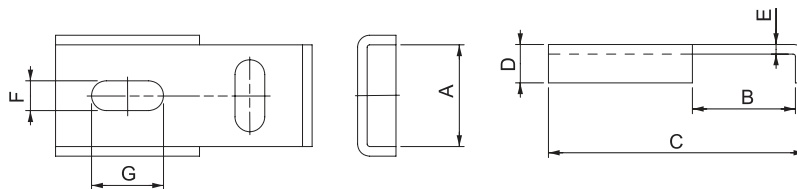
UTA connectors

- The UTA connectors are used to create a T-shaped assembly between two symmetric C-shaped rails, C20 and C40 types, especially recommended for forming crossbars on chassis and frames.
- The UTA42 connectors type allows C20 rails to be joined with C40 rails.
- Material: zinc-coated steel.

Supply: 20 units.

References by unit. Order by multiples of 20 units (20, 40, 60, etc.).

A (mm)	B (mm)	C (mm)	D (mm)	E (mm)	F (mm)	G (mm)	Reference
21.3	21.5	53.5	8	2	6.2	15	NSYUTA22
21.3	40.5	72.5	8	2	6.2	15	NSYUTA42
40.3	40.5	81	10	2.5	8.5	25	NSYUTA44



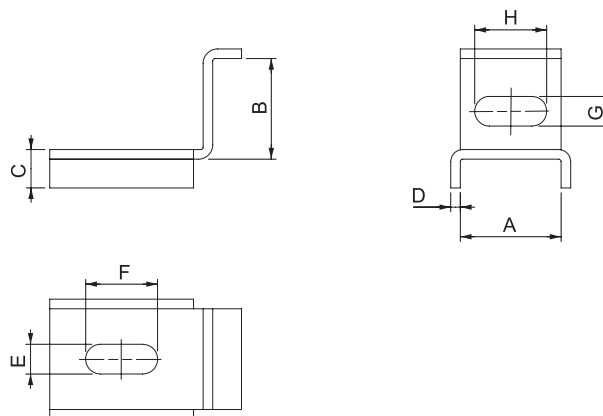
ECA connectors

- The ECA connectors are used to form a cross-shaped assembly with two symmetric C-shaped rails, C20 and C40 types, located perpendicularly on different planes.
- The ECA42 connector type makes it possible to join C20 rails with C40 rails.
- Material: zinc-coated steel.

Supply: 20 units.

References by unit. Order by multiples of 20 units (20, 40, 60, etc.).

A (mm)	B (mm)	C (mm)	D (mm)	E (mm)	F (mm)	G (mm)	H (mm)	Reference
21.3	21.5	8	2	6.2	15	6.2	15	NSYECA22
21.3	40.5	8	2	6.2	15	6.2	13	NSYECA42
40.3	40.5	10	2.5	8.5	25	8.5	25	NSYECA44



Mounting Rails



UR connectors

- The UR connectors are used for rectilinear joining of symmetric C-shaped rails.
- Recommended when the standard length is not sufficient or for maximising fractions.
- Material: zinc-coated steel.

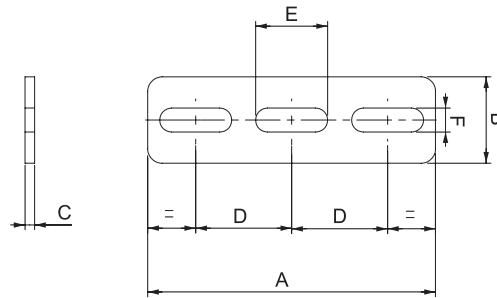


Supply: 20 units.



References by unit. Order by multiples of 20 units (20, 40, 60, etc.).

A (mm)	B (mm)	C (mm)	D (mm)	E (mm)	F (mm)	Reference
60	18	2	20	15	5	NSYUR20
130	36	3	40	30	10	NSYUR40
130	55	3	40	30	10	NSYUR60



UT connectors

- The UT connectors are used to form T-shaped assemblies between symmetric C-shaped rails. They are used to form crossbars on frames and structures.
- Material: zinc-coated steel.

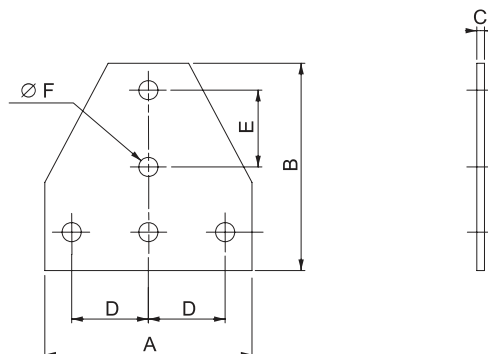


Supply: 20 units.



References by unit. Order by multiples of 20 units (20, 40, 60, etc.).

A (mm)	B (mm)	C (mm)	D (mm)	E (mm)	F (mm)	Reference
54	54	2	20	20	5	NSYUT20
60	80	2	20	25	8	NSYUT40



Mounting Rails



EN connectors

- The EN connectors are used to create L-shaped assemblies with plane change in the symmetric C-shaped rails, between them or with any other section.
- Material: zinc-coated steel.



Supply: 20 units.



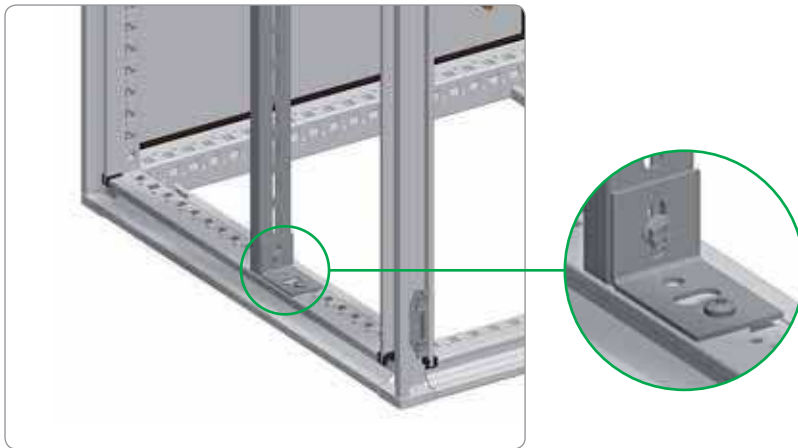
References by unit. Order by multiples of 20 units (20, 40, 60, etc.).

Reference

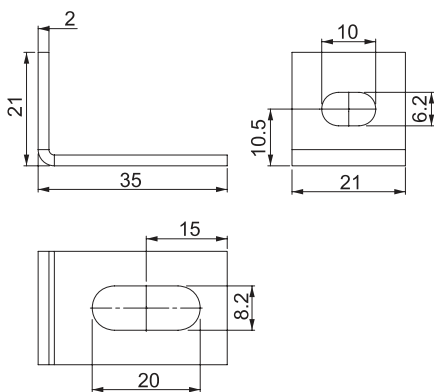
NSYEN20

NSYEN40

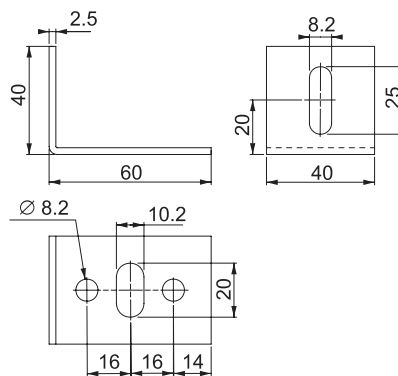
NSYEN60



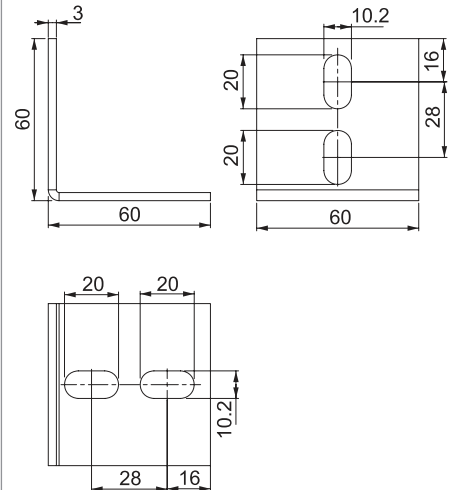
NSYEN20



NSYEN40



NSYEN60



Mounting Rails



Hexagonal spacers

- Hexagonal spacers for raising switchgear, mounting plates, etc. They can be linked together to achieve variable heights with gradual elevation.
- Their assembly requires M6 or M8 caged nuts.

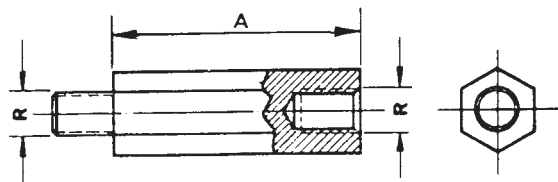


Supply: 100 hexagonal connectors.



References by unit. Order by multiples of 100 units (100, 200, 300, etc.).

Spacer height (mm) (A)	Thread type (R)	Reference
10	M5	NSYE1025
15	M5	NSYE1525
20	M5	NSYE2025
10	M6	NSYEX106
12	M6	NSYEX126
14	M6	NSYEX146
16	M6	NSYEX166
18	M6	NSYEX186
20	M6	NSYEX206
30	M6	NSYEX306
40	M6	NSYEX406
50	M6	NSYEX506
100	M6	NSYEX1006
15	M8	NSYEX158
20	M8	NSYEX208
30	M8	NSYEX308
40	M8	NSYEX408
50	M8	NSYEX508
60	M8	NSYEX608
100	M8	NSYEX1008



Mounting Rails



ETU modular spacers

- Modular spacers for installing devices or rails at a different level from that achieved with the basic chassis or mounting plate.
- Material: zinc-coated steel.



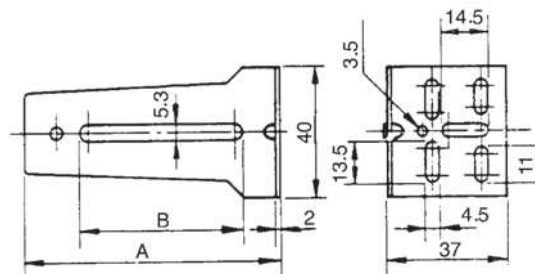
Supply: 20 units.



References by unit. Order by multiples of 20 units (20, 40, 60, etc.).

A (mm)	B (mm)	Reference
48	25	NSYETU48
58	25	NSYETU58
79	55	NSYETU79
118	55	NSYETU118

Combination of spacers	Minimum height (mm)	Maximum height (mm)
NSYETU48 + NSYETU48	53	64
NSYETU48 + NSYETU58	63	74
NSYETU48 + NSYETU79	85	95
NSYETU48 + NSYETU118	124	134
NSYETU58 + NSYETU58	73	84
NSYETU58 + NSYETU79	94	104
NSYETU58 + NSYETU118	134	144
NSYETU79 + NSYETU79	84	125
NSYETU79 + NSYETU118	124	164
NSYETU118 + NSYETU118	164	204



Mounting Rails



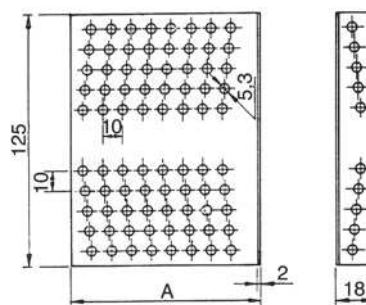
EMM modular spacers

- Progressive modular spacers. Every 2 mm combining two spacers, ref. **NSYEMM95**, a raised height of between 108 and 178 mm is obtained.
- Material: zinc-coated steel.






Supply: 10 units.


A (mm)	Reference
95	NSYEMM95









Mounting

Nuts and screws for rails

Rail type		Nuts		
 Symmetric DIN rails page 7/50	 Clip-on nut			
		M4	NSYTDE4	100
		M5	NSYTDE5	100
		M6	NSYTDE6	100

Fixings		
Screw with captive washer		
M4 × 10	NSYS10M4H	100
M4 × 16	NSYS16M4H	100
M5 × 12	NSYS12M5H	100
M5 × 18	NSYS18M5H	100
M6 × 12	NSYS12M6H	100
M6 × 16	NSYS16M6H	100
M6 × 18	NSYS18M6H	100

 Asymmetric DIN rails page 7/53	 Quarter-turn sliding nut			
		M4	NSYSNM4A	100
		M5	NSYSNM5A	100
		M6	NSYSNM6A	100











 Double-profile DIN rails page 7/55	 Quarter-turn sliding nut			
		M3	NSYTDC34	100
		M4		
		M5	NSYTDC56	100
M6				

	Self-tapping screw		
	M6 × 16	NSYS16M6HS	100
	M5 × 13	NSYS13M5HS	100
	Self-tapping screw		
	M5 × 16	NSYS16M5HS	100

 References by unit. Order by multiples of 100 units (100, 200, 300, etc.).

Mounting

Nuts and screws for rails

Rail type	Nuts				Fixings						
 <p>Symmetric C-shaped rails page 7/56</p>	 <p>Combiplas nut</p>										
					M3	C20	-	100	M4 × 10	NSYS10M4H	100
					M4		NSYBN204	100	M4 × 16	NSYS16M4H	100
					M6		NSYBN206	100	M5 × 12	NSYS12M5H	100
											
					M4	C40	NSYBN404	50	M5 × 18	NSYS18M5H	100
	M6	NSYBN406	50	M6 × 12	NSYS12M6H		100				
	M8	NSYBN408	50	M6 × 16	NSYS16M6H		100				
											
	M4	C60	NSYBN606	20	M6 × 18	NSYS18M6H	100				
	M8		NSYBN608	20	M8 × 16	NSYS16M8H	100				
	M10		NSYBN610	20	M8 × 20	NSYS20M8H	100				
											
 <p>Metal sliding nut</p>				M4	C20	NSYB204	100				
				M4	C40	NSYB404	100				
				M6	C40	NSYB406	100				
 <p>Serrated C-shaped rail for heavy loads page 7/57</p>  <p>(1) Quarter-turn sliding nuts (2)</p>											
				M6 (1)		NSYSNM6	10	M6 (1)	NSYSNM8	10	
				M8 (1)		NSYSNM8	10	M6 (2)	NSYSNSM6	10	
				M6 (2)		NSYSNSM6	10	M8 (2)	NSYSNSM8	10	

 References by unit. Order by multiples of the units specified in the supply.

Accessories



Power distribution

7/70

DLM modular chassis

7/70

DL modular chassis

7/72

Single-chassis coupling set

7/75

Double-chassis coupling set

7/76

Chassis-coupling set with zone for busbars

7/77

Cover plates

7/78

Set of fixed rail

7/81

Reinforced plate supports

7/83

Cable duct fixing supports

7/84

Busbars and blocks

7/85

Busbars support accessories

7/91

Sigma safety terminals

7/96

Terminals

7/97

Earthing strips

7/98

Power distribution

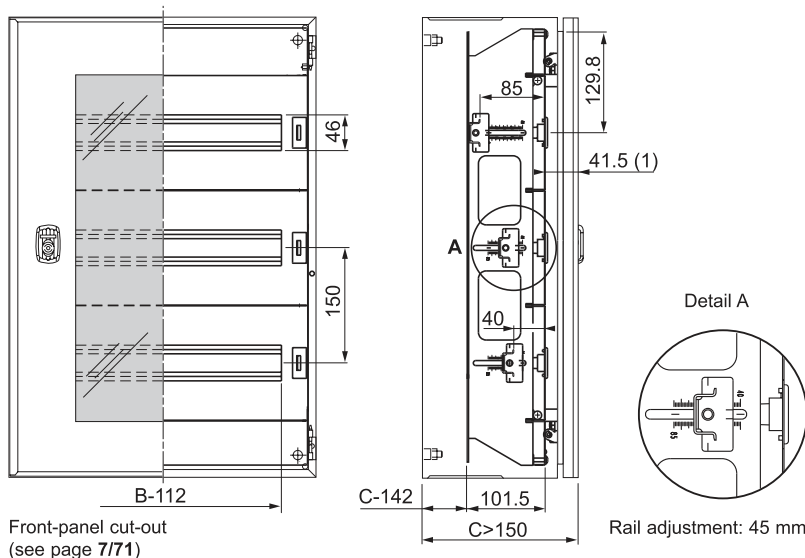
Modular distribution



For ranges
CRN, S3X, S3D

DLM modular chassis

- The chassis consists of metal cut-out front panels, which can be clipped on without screws, structured finish, epoxy-polyester powder, RAL-7035 grey, on a rigid galvanised-steel structure.
- The depth of the chassis can be adjusted from 40 to 85 mm, between the rail and the front panel, allowing the installation of all types of devices.



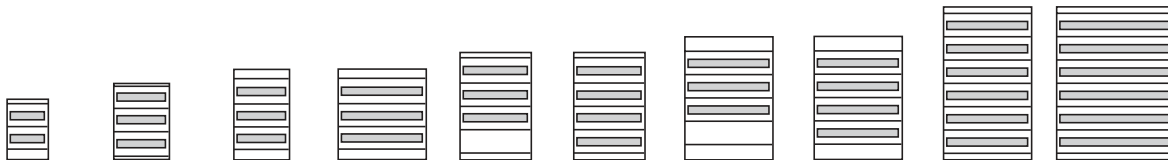
Dimensions (mm)		Number of modules*	Modular chassis reference	Plain front plate reference	Plain chassis reference
Height	Width				
400	300	24	NSYDLM24	NSYCTL300DLM	NSYPMP300DLM
500	400	48	NSYDLM48	NSYCTL400DLM	NSYPMP400DLM
600	400	48	NSYDLM48P	NSYCTL400DLM	NSYPMP400DLM
600	600	84	NSYDLM66	NSYCTL500DLM	NSYPMP600DLM
700	500	66	NSYDLM84	NSYCTL500DLM	NSYPMP500DLM
700	500	88	NSYDLM88	NSYCTL500DLM	NSYPMP500DLM
800	600	84	NSYDLM84P	NSYCTL600DLM	NSYPMP600DLM
800	600	112	NSYDLM112	NSYCTL600DLM	NSYPMP600DLM
1000	600	168	NSYDLM168	NSYCTL600DLM	NSYPMP600DLM
1000	800	234	NSYDLM240	NSYCTL800DLM	NSYPMP800DLM

* 1 module = 2 steps = 18 mm.

Power distribution

Modular distribution

Number of modules per chassis in steps of 18 mm



Chassis reference	NSYDLM24	NSYDLM48	NSYDLM48P	NSYDLM84	NSYDLM66	NSYDLM88	NSYDLM84P	NSYDLM112	NSYDLM168	NSYDLM240
Enclosure height (mm)	400	500	600	600	700	700	800	800	1000	1000
Enclosure width (mm)	300	400	400	600	500	500	600	600	600	800
Number of rows	2	3	3	3	3	4	3	4	6	6
Modules per row	12	16	16	28	22	22	28	28	28	39
Total n. of modules	24	48	48	84	66	88	84	112	168	234

* For references **NSYDLM48**, **NSYDLM48P** and **NSYDLM84** on Spacial wall-mounting enclosures the central row can only receive modules at the height of the lock when installed at the front of the enclosure. In this case, 1 module is sealed up (check our technical instructions).



Plain front panel

- Metal front panels to be clipped on without screws, structured finish, 100% polyester powder, RAL-7035 grey colour.
- Nominal height: 150 mm.

Composition: 2 plain front panel and fixings.

Enclosure width (mm)	No. of modules	Reference
300	12	NSYCTL300DLM
400	16	NSYCTL400DLM
500	22	NSYCTL500DLM
600	28	NSYCTL600DLM
800	40	NSYATP6DTM

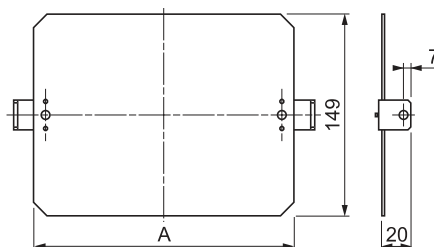


Plain mounting plate

- Mounting plate for fixing non-modular devices.
- Material: galvanised steel, 2 mm thick.
- Nominal height: 150 mm.
- To be ordered in multiples of 2 parts.

Composition: 2 plain chassis and fixings.

Enclosure width (mm)	A (mm)	Reference
300	208	NSYPMP300DLM
400	308	NSYPMP400DLM
500	408	NSYPMP500DLM
600	508	NSYPMP600DLM
800	708	NSYPMP800DLM



Sheet, 2 mm thick

Power distribution

Modular distribution



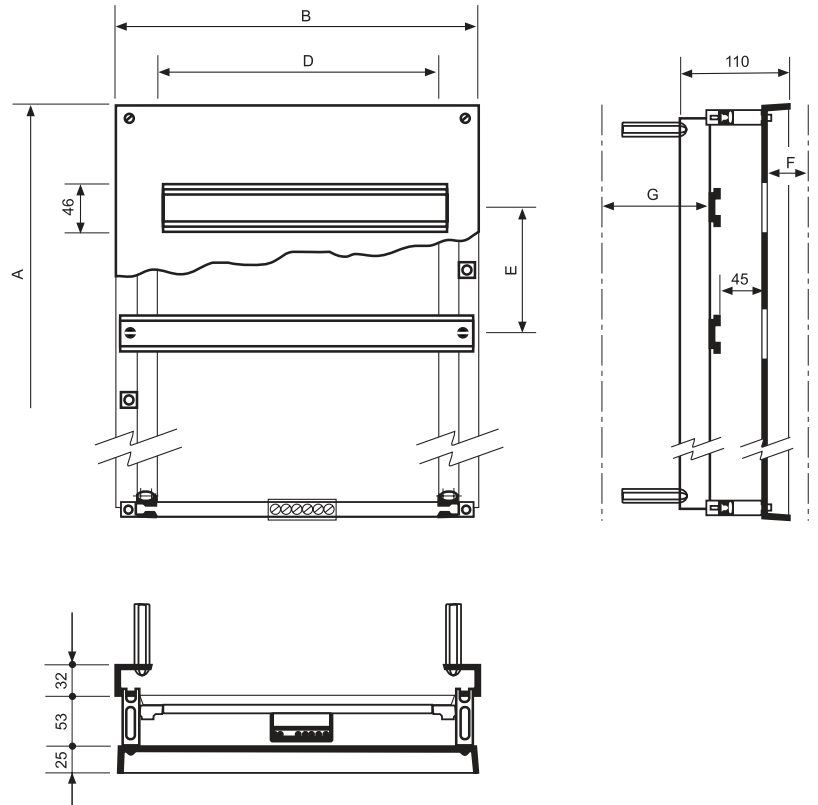
NSYCRN64150P + NSYDLR64

For ranges
CRN, S3X, S3D*

DL modular chassis

Diminimel chassis designed for devices with heights of 53 and 68 mm, which can be coupled directly to the enclosure plate-support bolts. Manufactured from sheet steel. Metal protective cover plate, RAL-7035 colour.

- Distance between device rail and protective cover plate: 45 mm.



*For Spacial S3D please consult us.

Dimension F: Distance from the protective cover plate to the inside of the door.
Dimension G: Distance from the device-support rail to the rear of the enclosure.

7

Reference	No. of 18-mm modules	No. of rows	Approx. weight (kg)	For coupling to the enclosures with normal or transparent door			Dimensions (mm)					
				Height	Width	Depth	A	B	D	E	F**	G
NSYDLR18	18	2	1.2	300	250	150*	255	205	162	120	41	51
NSYDLR24	24	2	1.7	400	300	150*	355	255	216	160	41	51
NSYDLR36	36	3	1.7	400	300	150*	355	255	216	110	41	51
NSYDLR48	48	3	2.4	500	400	150*	455	355	288	130	41	51
NSYDLR64	64	4	3.3	600	400	150/200	555	355	288	130	41	51/101
NSYDLR88	88	4	4.5	600	500	150/200	555	455	396	130	41	51/101
NSYDLR110	110	5	5.1	700	500	200	655	455	396	125	41	101
NSYDLR135	135	5	7.5	800	600	200	755	555	486	140	41	101

* For coupling to enclosures with a depth of 200 mm, the stand-offs (ref. NSYEX608) are to be ordered separately (4 per chassis).

** For enclosures with transparent door, the F dimension is reduced by 4 mm.



See also the accessories



Plain front plates page 7/71



Blanking plate page 7/73

Power distribution

Modular distribution



Blanking plate

Blanking plate made from fire-proof insulating material, for full or partial covering of the circuit-breaker windows; it can easily be cut to the required size.

Length (mm)	N° of modules	RAL	Reference
72	4	7032	NSYATP72G
72	4	7035	NSYATP72MS
108	6	-	NSYATP6DTM
432	24	-	NSYATP24DTM
1100	-	7032	NSYATPUND



See also
the accessories



Connecting strips
page 7/98

Power distribution

Modular distribution



Modular distribution system

- The modular distribution system is made up of a range of accessories prepared for forming electric panels with high distribution capacity.
- The accessories are installed on a chassis mounted at the front of the enclosure, such as for example:
 - Cover plates for enclosures with widths of 600 and 800, solid or cut-out in screwed-on or hinged versions. They cover 24 or 36 modules per row, depending on the width of the enclosure.
 - Material support rails, fixed or with adjustable depth.
 - Chassis supports for coupling non-modular equipment.
 - Supports for fixing cable-distribution cable ducts.
- Sets of accessories made up of material-supporting frames with chassis and cover plates are offered for the construction of double or busbar modular chassis. All the accessories of the individual chassis system can also be combined in the same way with the double chassis or with the chassis with busbar area.

[For ranges SF, SM]

Modular distribution accessories

- Schneider Electric has developed a broad range of accessories for the construction of modular distribution frames, meeting the needs of the market.
- The new range has a coupling chassis, installed at the front of the enclosure, allowing the installation of:
 - Cover plates with lengths of 600 and 800 mm, plain and cut-out, screwed on and hinged, with heights of 150, 200, 300, 400, 450 and 600 mm.
 - Material support rails, fixed or with adjustable depth.
 - Mounting plate supports, plain or perforated, for installation of non-modular devices.

7

- For the construction of double modular distribution frames or with busbar chamber, specific coupling chassis have been created for these applications.




Power distribution

Modular distribution



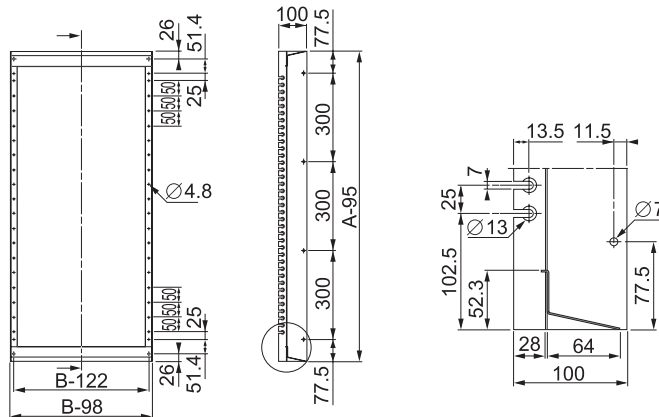
Single-chassis coupling set

- Chassis made up of vertical uprights and horizontal crossbars:
 - **Spacial SF:** they are screwed to the front frame of the enclosure.
 - **Spacial SM:** they are screwed to the front frame of the enclosure by means of the vertical adaptation profiles, see page 7/34.
- Easy access to the inside for component installation.
- Material: steel.
- Finish: painted with epoxy-polyester resin, textured RAL-7035 grey.

 Supply: two vertical uprights, two horizontal crossbars and fixing elements.

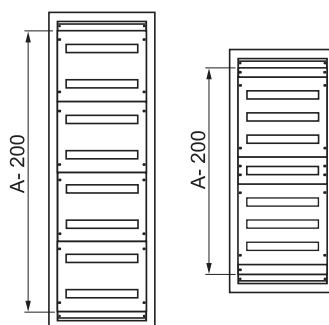
Nominal dimensions (mm)		Maximum no. of 18-mm modules	Reference
Height (A)	Width (B)		
1200	600	144	NSYCSH126
	800	216	NSYCSH128
1400	600	192	NSYCSH146
	800	288	NSYCSH148
1600	600	216	NSYCSH166
	800	324	NSYCSH168
1800	600	240	NSYCSH186
	800	360	NSYCSH188
2000	600	288	NSYCSH206
	800	432	NSYCSH208

[For ranges SF, SM]



Example of the combination of cut-out, screwed-on cover plates and single-chassis coupling set

Nominal dimensions (mm)		No. of 18-mm modules	Reference		
Height (A)	Width (B)		1 single-chassis coupling set	5 screwed-on cut-out cover plates	2 adjustment cover plates
1800	600	240	1 × NSYCSH186	5 × NSYMUC306	1 × NSYADC16



Power distribution


Modular distribution



[For ranges SF, SM]

Double-chassis coupling set

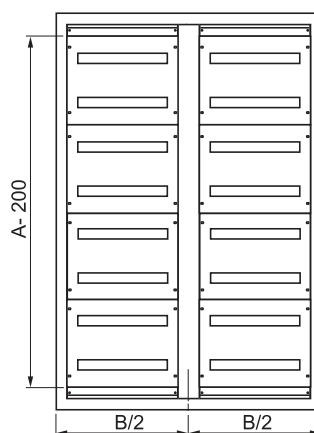
- Mounting on enclosures with widths of 1200 and 1600 mm.
- Installation on **Spacial SM**: they are screwed to the front frame of the enclosure by means of the vertical adaptation profiles, see page 7/34.
- Set made up of two modular chassis with an intermediate central upright.
- **Spacial SM**: for enclosures with a width of 1200 mm the top/bottom adjustment rails are necessary, see page 7/21.
- **Spacial SF**: the double-door enclosure adaptation kit is required for enclosure widths of 1200 and 1600 mm, see page 7/19.
- Material: steel.
- Finish: painted with epoxy-polyester resin, textured RAL-7035 grey.

 Supply: two single-chassis coupling sets, one intermediate central upright and fixing elements.

Spacial dimensions (mm)		Set made up of columns with a width (mm)	Maximum no. of 18-mm modules	Reference
Height	Width			
1400	1200	600 + 600	384	NSYDCSH1412
1600	1200	600 + 600	432	NSYDCSH1612
1800	1200	600 + 600	480	NSYDCSH1812
	1600	800 + 800	720	NSYDCSH1816
2000	1200	600 + 600	576	NSYDCSH2012
	1600	800 + 800	864	NSYDCSH2016

Example of the combination of cut-out, screwed-on cover plates and double-chassis coupling set

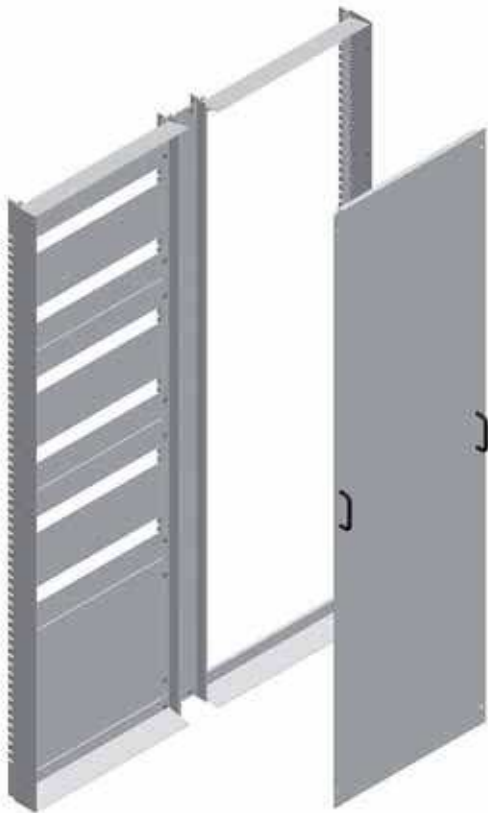
Spacial dimensions (mm)			No. of 18-mm modules	Reference		
Height (A)	Width (B)	Depth (C)		1 double-chassis coupling set	12 screwed-on cut-out 300-mm cover plates	Double-door enclosure adaptation kit
2000	1200	500	576	1 × NSYDCSH2012	12 × NSYMUC306	NSYSMP2D5
	1600	500	864	1 × NSYDCSH2016	12 × NSYMUC308	-



7


Power distribution

Modular distribution



Chassis-coupling set with zone for busbars

- Set for mounting on enclosures with widths of 1000 and 1200 mm.
- **Spacial SF:** They are screwed to the front frame enclosure.
- **Spacial SM:** They are screwed to the front frame of the enclosure by means of the vertical and horizontal adaptation profiles, see page 7/34.
- Assembly made up of a modular chassis with an intermediate central upright and a blanking cover plate for busbars (width 300 mm).
- Material: steel.
- Finish: painted with epoxy-polyester resin, textured RAL-7035 grey.

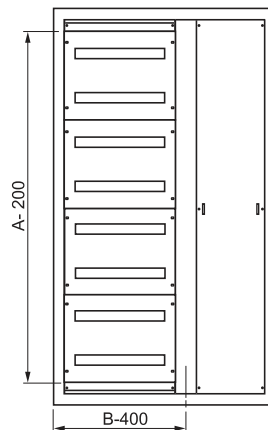
-  Supply:
- One single-chassis coupling set.
 - One intermediate central upright.
 - One busbar blanking cover plate.
 - Fixing elements.

Nominal dimensions (mm)		Set made up of columns with a width (mm)	Maximum no. of 18-mm modules	Reference
Height	Width			
1400	1000	600 + 400	192	NSYCShB1410
	1200	800 + 400	288	NSYCShB1412
1600	1000	600 + 400	216	NSYCShB1610
	1200	800 + 400	324	NSYCShB1612
1800	1000	600 + 400	240	NSYCShB1810
	1200	800 + 400	360	NSYCShB1812
2000	1000	600 + 400	288	NSYCShB2010
	1200	800 + 400	432	NSYCShB2012

[For ranges SF, SM]

Example of the combination of cut-out, screwed-on cover plates and chassis-coupling set with busbar zone

Nominal dimensions (mm)		No. of 18-mm modules	Reference		
Height (A)	Width (B)		1 chassis-coupling set with zone for busbars	5 screwed-on cut-out 300-mm cover plates	2 adjustment cover plates
1800	1000	240	1 × NSYCShB1810	5 × NSYMUC306	1 × NSYADC16
1800	1200	360	1 × NSYCShB1812	5 × NSYMUC308	1 × NSYADC18



Power distribution

Modular distribution

Plain cover plates

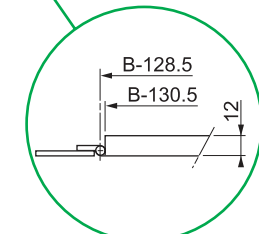
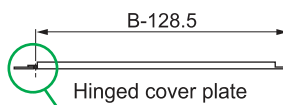
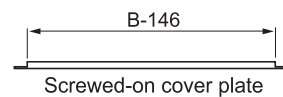
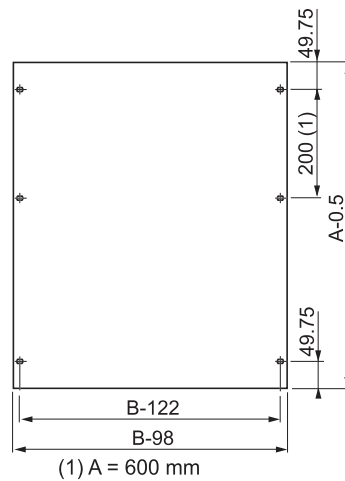
- Metal cover plates for protecting control devices.
- The cut-outs in non-modular control devices is at user's request
- Suitable by modules of 150 or 200 mm.
- Versions:
 - Screwed-on plain cover plate.
 - Hinged plain cover plate. 120° opening with flat hinge.
- Material: steel.
- Finish: painted with epoxy-polyester resin, textured RAL-7035 grey.



Supply: one plain cover plate and fixing elements.

Nominal dimensions (mm)		Screwed-on plain cover plate reference	Hinged plain cover plate reference
Height (A)	Width (B)		
150	600	NSYMPC156	NSYMPCH156
	800	NSYMPC158	NSYMPCH158
200	600	NSYMPC206	NSYMPCH206
	800	NSYMPC208	NSYMPCH208
300	600	NSYMPC306	NSYMPCH306
	800	NSYMPC308	NSYMPCH308
400	600	NSYMPC406	NSYMPCH406
	800	NSYMPC408	NSYMPCH408
450	600	NSYMPC456	NSYMPCH456
	800	NSYMPC458	NSYMPCH458
600	600	NSYMPC606	NSYMPCH606
	800	NSYMPC608	NSYMPCH608

[For ranges SF, SM]



Power distribution

Modular distribution



Cut-out cover plates

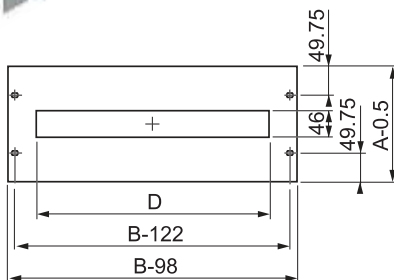
- Cut-out metal cover plates for modular switchgear (1 module = 18 mm).
- Suitable by modules of 150 or 200 mm.
- Cover plates for 600-mm enclosures: 24 modules per row.
- Cover plates for 800-mm enclosures: 36 modules per row.
- Versions:
 - Screwed-on cut-out cover plate.
 - Hinged cut-out cover plate. 120° opening with flat hinge.
- Material: steel.
- Finish: painted with epoxy-polyester resin, textured RAL-7035 grey.



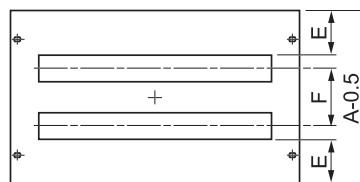
Supply: one cut-out cover plate and fixing elements.

Nominal dimensions (mm)		Dimensions			No. of cut-outs	Maximum no. of 18-mm modules	Screwed-on cut-out cover plate reference	Hinged cut-out cover plate reference
Height (A)	Width (B)	D	E	F				
150	600	432	-	-	1	24	NSYMUC156	NSYMUCH156
	800	642	-	-	1	36	NSYMUC158	NSYMUCH158
200	600	432	-	-	1	24	NSYMUC206	NSYMUCH206
	800	642	-	-	1	36	NSYMUC208	NSYMUCH208
300	600	432	51.75	150	2	48	NSYMUC306	NSYMUCH306
	800	642	51.75	150	2	72	NSYMUC308	NSYMUCH308
400	600	432	76.75	200	2	48	NSYMUC406	NSYMUCH406
	800	642	76.75	200	2	72	NSYMUC408	NSYMUCH408
450	600	432	51.75	150	3	72	NSYMUC456	NSYMUCH456
	800	642	51.75	150	3	108	NSYMUC458	NSYMUCH458
600	600	432	76.75	200	3	72	NSYMUC606	NSYMUCH606
	800	642	76.75	200	3	108	NSYMUC608	NSYMUCH608

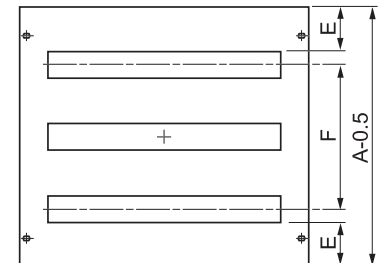
[For ranges SF, SM]



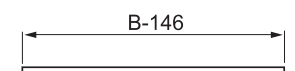
A = 150 and 200 mm



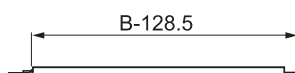
A = 300 and 400 mm



A = 450 and 600 mm



Screwed-on cover plate



Hinged cover plate

Power distribution

Modular distribution



[For ranges
SF, SM]



Adjustment cover plates

- Metal adjustment cover plates designed to complete the front of the modular chassis according to the combinations made by modules of 150 or 200 mm.
- Material: steel.
- Finish: painted with epoxy-polyester resin, textured RAL-7035 grey.



Supply: two adjustment cover plates and fixing elements.

Cover plate dimensions (mm)	Nominal dimensions (mm)	Reference
Height	Width	
50	600	NSYADC16
	800	NSYADC18

Blanking covers

- Blanking covers for cut-out cover plates.
- Each cover is made up of four strips of four modules each (1 module = 18 mm).
- Material: plastic.
- Finish: RAL-7035 grey.



Supply: 25 strips of 4 modules.

Reference
NSYATP72M

Power distribution

Modular distribution



[For ranges SF, SM]

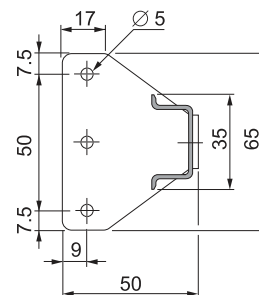
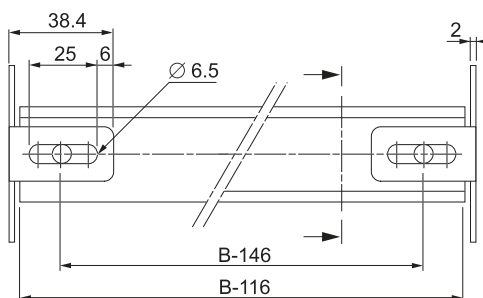
Set of fixed rail with supports

- Set made up of a galvanised symmetric DIN rail, 35 × 15 mm, and fixed mounting supports, for the installation of modular devices or not.
- Maximum number of 18-mm modules:
 - Enclosure width 600 mm: 24 modules.
 - Enclosure width 800 mm: 36 modules.
- Mounting by screws directly on the uprights of the chassis-coupling set.
- Material: zinc-coated steel.



Supply: one DIN rail, two fixed supports and fixing elements.

Nominal dimensions (mm)	Reference
Width (B)	
600	NSYMFSC60
800	NSYMFSC80



Fixed supports with no rail



Supply: two fixed supports and fixing elements.

Reference
NSYMF51

Power distribution


Modular distribution



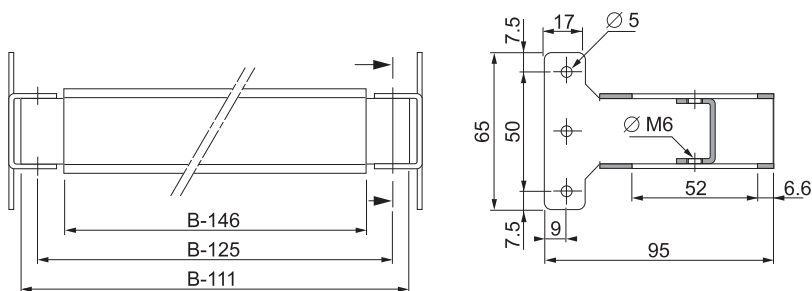
[For ranges SF, SM]

Set of depth-adjustable rail with supports


- Set made up of a galvanised symmetric DIN rail, 35 × 15 mm, and depth-adjustable mounting supports, for the installation of modular devices or not.
- Maximum number of 18-mm modules:
 - Enclosure width 600 mm: 24 modules.
 - Enclosure width 800 mm: 36 modules.
- Mounting by screws directly on the uprights of the modular chassis-coupling set.
- Material: zinc-coated steel.

 Supply: one DIN rail, two adjustable supports and fixing elements.

Nominal dimensions (mm)	Reference
Width (B)	
600	NSYMFSC60D
800	NSYMFSC80D



Adjustable supports with no rail

 Supply: two adjustable supports and fixing elements.

Reference
NSYMFSD

Power distribution

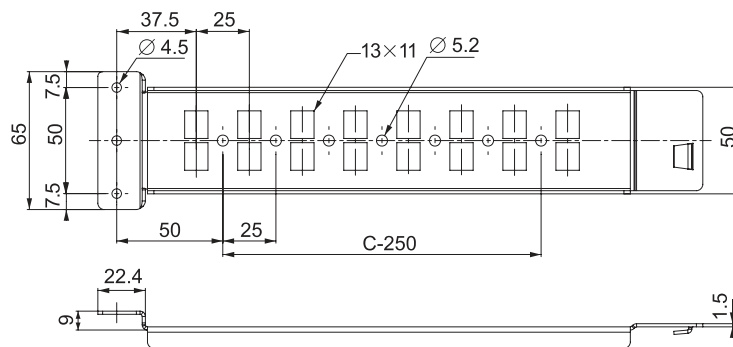
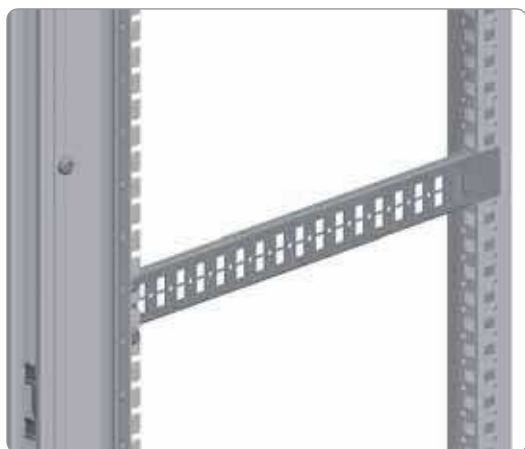
Modular distribution

Reinforced plate supports

- Supports for fixing the partial mounting plate for small non-modular equipment or material-supporting cross rails for heavy equipment. See partial mounting plate, page 7/20.
- Direct fixing by screws to the vertical uprights of the modular chassis-coupling set, and at the rear directly to the structure (**Spacial SF**) and on universal or quick-fixing cross rails (see page 7/36) installed vertically in the back of the enclosure (**Spacial SM**).
- Material: zinc-coated steel.

 Supply: two supports and fixing elements.

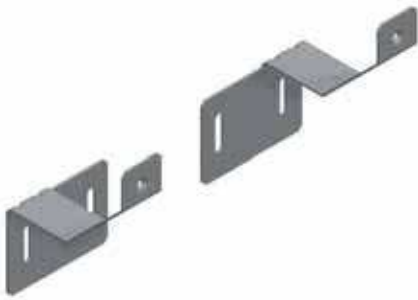
Nominal dimensions (mm)		No. of cut-outs (\varnothing 5.2 mm)	Reference
Depth (C)			
300		3	NSYMPS30
400		7	NSYMPS40
500		11	NSYMPS50
600		15	NSYMPS60
800		23	NSYMPS80



[For ranges SF, SM]

Power distribution

Modular distribution



Cable duct fixing supports

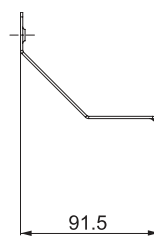
- Supports for fixing cable-distribution gutters in the modular distribution chassis.
- Allows the fixing of gutters in horizontal and vertical position on the same plane to facilitate cable distribution.
- Installation by screws directly on the rail supplied with the fixed or adjustable rail, page 7/81.
- Material: zinc-coated steel.



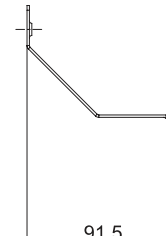
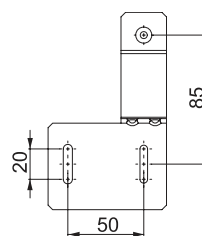
Supply: six supports (three on the right and three on the left) and fixing elements.

Reference

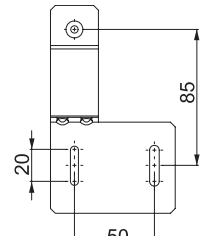
NSYMCDFIX



Left support



Right support



[For ranges
SF, SM]

Power distribution

Busbars and blocks



Side panels for the side busbar chamber

- Set of 2 side panels fixed to the outside.
- Captive screws.
- Material: steel.
- Finish: painted with epoxy-polyester resin, textured RAL-7035 grey.



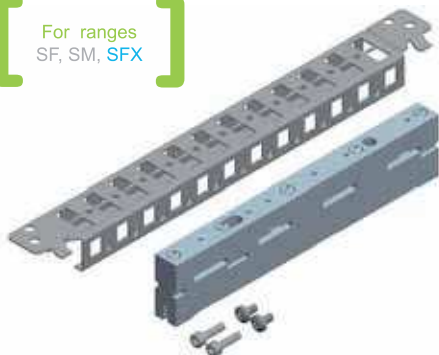
Supply: two side panels with external fixing and fixing elements.

Nominal dimensions (mm)		Reference
Height	Depth	
1800	400	NSY2SP184
	500	NSY2SP185
	600	NSY2SP186
2000	400	NSY2SP204
	500	NSY2SP205
	600	NSY2SP206
	800	NSY2SP208
2200	600	NSY2SP226

Power distribution

Busbars and blocks

For ranges SF, SM, SFX

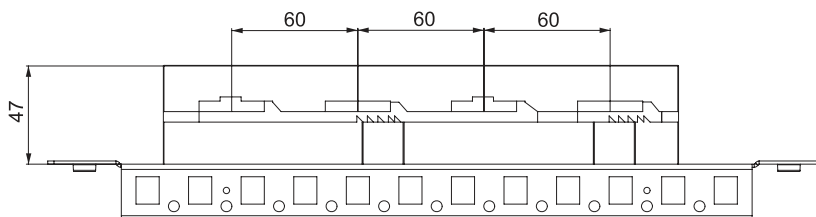


630 A bar support

- **Spacial SF:** support prepared for coupling directly to the structure of the enclosure.
- A universal cross rail needed to replace the 400 mm quick-fixing cross rail.
- **Spacial SM:** installation by means of a vertical adaptation profile and 40-mm universal cross rails (1 row).
- Maximum nominal rating 630 A.
- Determine according to the enclosed table the cross-section of the bars and the distance between supports, according to the nominal and short-circuit current respectively.

Supply: one 630 A bar support, one 40-mm quick-fixing cross rail and fixing elements.

Nominal dimensions (mm)	Reference
Width/Depth	
400	NSYBS400
500	NSYBS500
600	NSYBS600
800	NSYBS800



Nominal rating IP55 NR (A)	No. of bars per phase	Bar cross-section (mm)	Bar cross-section (mm ²)	Maximum distance between bar supports according to the short-circuit current (mm)								Neutral (mm)	Earth (mm)
				I _{cc} kA									
				12	23	30	39	52	66	69			
200	1	12 × 5	60	525	525	525	400	250	-	-	-	-	
250	1	12 × 5	75	575	575	575	450	325	-	-	-	-	
320	1	20 × 5	100	600	600	600	475	350	150	-	12 × 5-10	-	
390	1	25 × 5	125	600	600	600	475	350	150	-	12 × 5-10	6 × 3	
440	1	30 × 5	150	650	650	650	650	525	400	350	20 × 5-10	10 × 3	
500	1	20 × 10	200	675	675	675	525	350	150	-	25 × 5-10	10 × 6	
600	1	30 × 10	300	675	675	675	600	475	325	275	30 × 5-10	10 × 6	



630 A busbar end cover

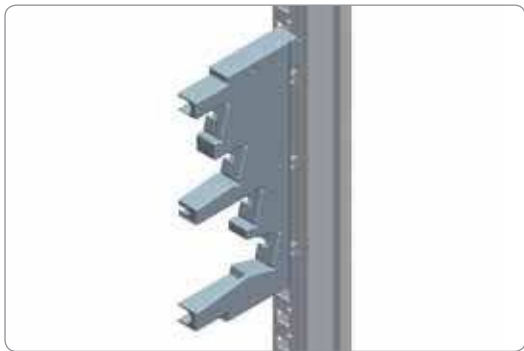
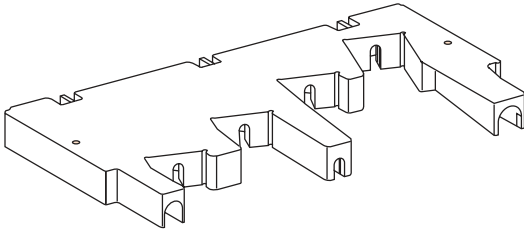
- Busbar end protection.
- Direct installation on the actual bar support (insulator).

Supply: two 630 A bar support plates and fixing elements.

Reference
NSYBSC630

Power distribution

Busbars and blocks



630 A multi-stage bar support

- Support for fixing bars with cross-sections:
 - 15 × 5.
 - 20 × 5.
 - 32 × 5.
 - 32 × 8.
- The orientation of the copper bars makes tightening easier and allows better circulation of the cables.
- It can be 3-pole or 4-pole, with gauges from 160 to 630 A.
- Mounting on mounting plates (see page 7/10) or cross-rails (see page 7/36).
- Electrical characteristics:
 - Rated peak withstand current I_{pk} (kA):
 - 30 kA for 160 A busbar.
 - 40 kA for 250 A busbar.
 - 55 kA for 400 A and 630 A busbar.
 - Rated insulation voltage U_i = 750 V.
- Material: insulating plastic.



Supply: 1 multi-stage bar support and fixing elements.

- M6 × 25 self-tapping screws are required for fixing on the cross-rails, not included.

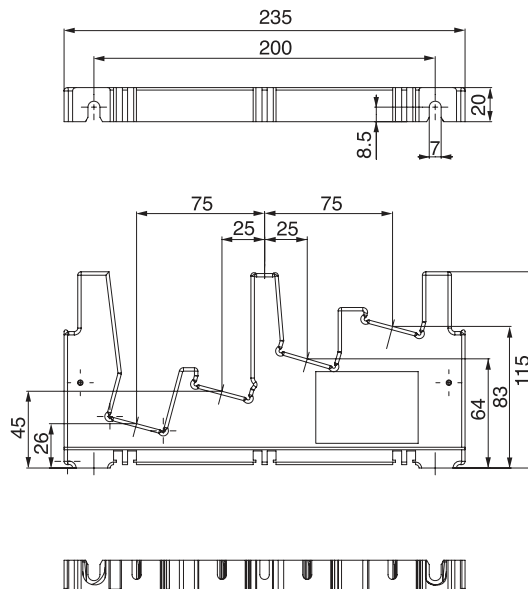
Reference

04192

- The following table shows:
 - The cross-section of the bars that will be used according to the current-carrying capacity in the busbar.
 - The distance between the bar supports that will be installed according to the rated short-time withstand current: I_{cw}.

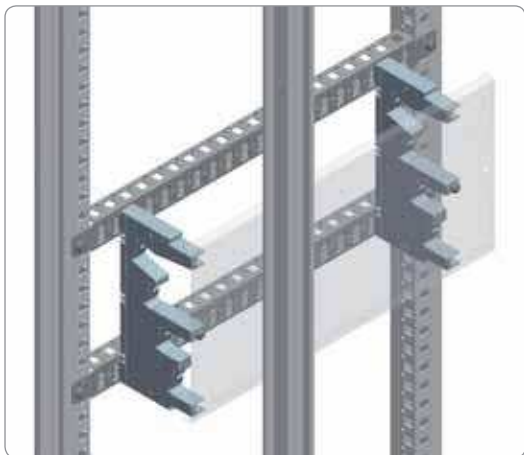
Amperage (A)	Bar cross-section (mm)	Centre-to-centre distance of the supports (mm)				
		I _{cw} (kA eff/1 s)				
		10	13	15	20	25
160	15 × 5					
250	20 × 5					
400	32 × 5		450		300	300 (1)
630	32 × 8					

(1) I_{cw} (kA eff/0.6 s).



Power distribution

Busbars and blocks



Screen for 630 A multi-stage busbar

- Protects against direct contact from the front in the connections of the busbar.
- Direct mounting on the actual support.
- Length: 1500 mm.

 Supply: 1 screen for multi-stage busbar and fixing elements.


Reference

04197

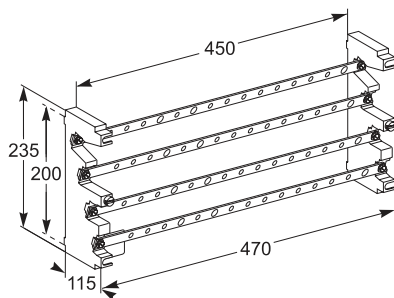
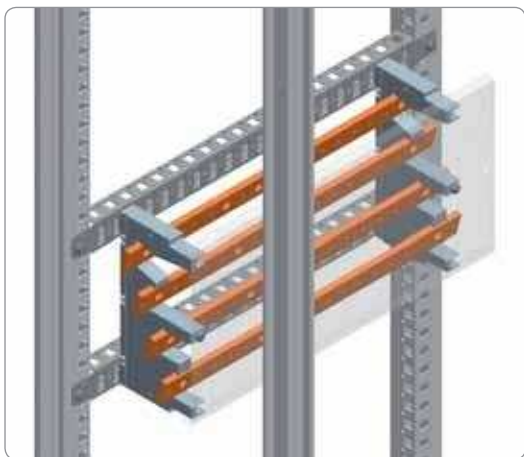


160 A / 630 A four-pole multi-stage distribution block

- The orientation of the copper bars makes tightening easier and allows better circulation of the cables.
- The copper bars are supplied with:
 - 13 holes for M6, for the outlets.
 - 4 holes with $\varnothing 12.2$ for supplying the distribution block.
- It can be 3-pole or 4-pole, with gauges from 160 to 630 A.
- Installation:
 - Mounting plates (see page 7/10) or cross-rails (see page 7/37).
- Electrical characteristics:
 - Rated operating current (40 °C):
 - 160 A.
 - 250 A.
 - 400 A.
 - 630 A.
 - Rated insulation voltage $U_i = 750$ V.
 - Rated short-time withstand current = I_{cw} :
 - 10 kA eff/1 s for 160 A distribution block.
 - 13 kA eff/1 s for 250 A distribution block.
 - 20 kA eff/1 s for 400 A distribution block.
 - 25 kA eff/1 s for 630 A distribution block.
 - Rated peak withstand current = I_{pk} :
 - 30 kA for 160 A distribution block.
 - 30 kA for 250 A distribution block.
 - 40 kA for 400 A distribution block.
 - 40 kA for 630 A distribution block.
 - Rated impulse withstand voltage: $U_{imp} = 8$ kV.
- Distribution: 13 outlets for phase with max. 50 mm².

 Supply: 2 multi-stage bar supports, 4 cut-out copper bars with a pitch of 25 mm and 1 IPxxB insulating front cover.

- M6 \times 25 self-tapping screws are required for fixing on the cross-rails, not included.



Model	Bar cross-section (mm)	Reference
160 A (40 °C)	15 \times 5	04052
250 A (40 °C)	20 \times 5	04053
400 A (40 °C)	32 \times 5	04054
630 A (40 °C)	32 \times 8	04055


Power distribution

Busbars and blocks

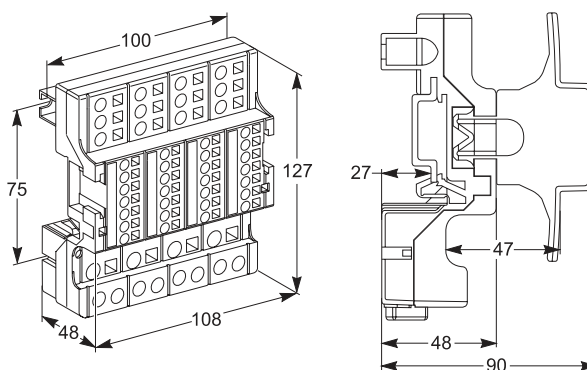


Distribloc distribution block

- 4-pole distribution block.
- The outlets are connected by the front, on spring terminals. The pressure of this spring is adapted automatically to the cross-section of the conductor. It is independent from the operator.
- Degree of protection: IPxxB (protection against direct contacts).
- Installation:
 - Clips onto DIN rails (see page 7/50) and/or mounting plates (see page 7/10).
- Electrical characteristics:
 - Rated operating current (40 °C):
 - 125 A for Distribloc 125.
 - 160 A for Distribloc 160.
 - Resistance to short-circuit currents: the interrupting capacity reinforced by filiation is conserved in the case of automatic switch associations.
 - According to low-voltage switchgear standards UNE-EN 60947-7-1 and/or UNE-EN 60439-1.
 - Rated impulse withstand voltage: $U_{imp} = 8 \text{ kV}$.
- Power supply:
 - 125 A Distribloc: screw terminal for flexible cables from 6 to 35 mm² (rigid from 10 to 35 mm²).
 - 160 A Distribloc: by prefabricated flexible connection, supplied.
- Distribution (for 125 A and 160 A Distribloc):
 - On spring terminals:
 - 2 outlets connected by flexible cables from 1 to 10 mm².
 - 3 outlets connected by flexible cables from 1 to 6 mm².
 - 7 outlets connected by flexible cables from 1 to 4 mm².
 - On screw terminals:
 - 1 outlet connected by flexible cables from 4 to 16 mm² (rigid from 4 to 25 mm²).

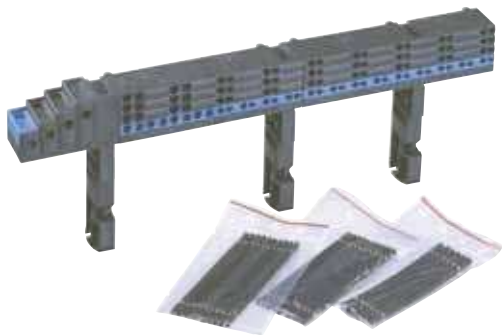
 Supply: single-piece distribution block, 1 IPxxB modular insulating screen and self-adhesive labels for identifying the phases. Prefabricated flexible connection in Distribloc 160.

Model	Reference
125 A distribution block	04045
160 A distribution block (with 4 flexible connectors)	04046



Power distribution

Busbars and blocks



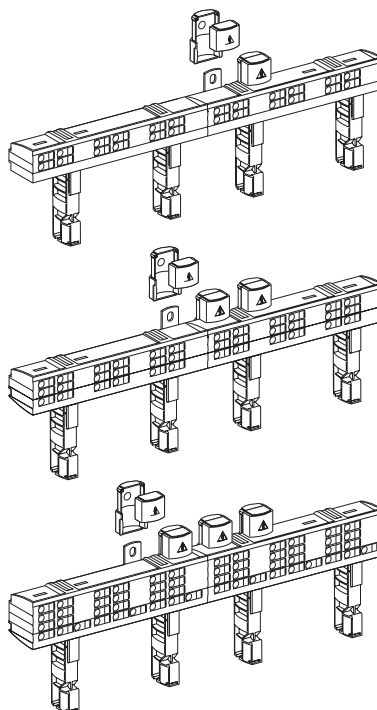
Multiclip distribution block

- Distribution in a full row (48 steps) of modular switchgear. Generally supplied on a busbar.
- The outlets are connected by the front, without screws on the spring terminals. The contact pressure of the cable is independent from the operator.
- It adapts automatically to the cross-section of the conductor (min. cross-section 1 mm²).
- Each spring only accepts one flexible cable at a time.
- Degree of protection: IPxxB (protection against direct contacts).
- Installation: clipped onto the rear of a modular rail, for example Ref. 03004, or screwed on mounting plates (see page 7/10).
- Electrical characteristics:
 - Rated insulation voltage: $U_i = 750 \text{ V}$.
 - Rated impulse withstand voltage: $U_{imp} = 8 \text{ kV}$.
 - Resistance to short-circuit currents: the interrupting capacity reinforced by filiation is conserved in the case of automatic switch associations.
- 200 A Multiclip:
 - 10 mm² cable outlet: $I_{max} = 50 \text{ A}$.
 - 2 different outlets with cables of 10 mm²: $I_{max} = 63 \text{ A}$.
- Distribution:
 - For 2-pole 200 A Multiclip (04012):
 - 12 phase and neutral connection points.
 - For 3-pole and 4-pole 200 A Multiclip (04013 and 04014):
 - 12 connection points for each phase.
 - 18 connection points for the neutral.



Supply: Multiclip distribution block, 10 mm² bared copper connections with a length of 100 mm, 2 bags of 12 connections, terminal covers for the supply poles (IPxxB), screws for the supply poles and fixing elements.

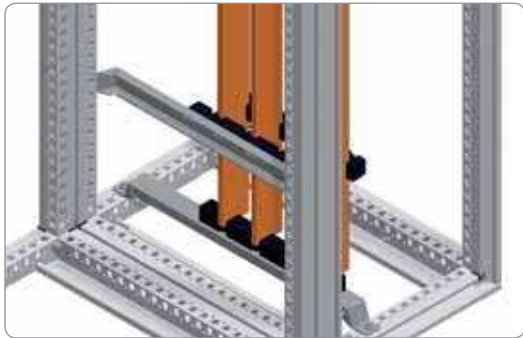
Model	Reference
200 A 2-pole	04012
200 A 3-pole	04013
200 A 4-pole	04014



Power distribution


Busbar support accessories

[For ranges SF]



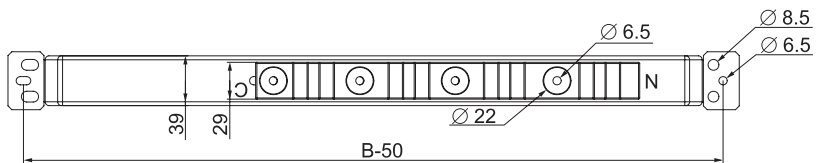
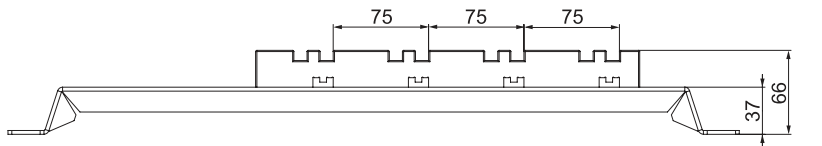
Vertical bar support up to 3200 A

- Support prepared for fixing bars in vertical position, mounted directly on the structure of the enclosure. Adjustable height with a pitch of 25 mm.
- Maximum nominal rating:
 - 1600 A for 5-mm bars.
 - 3200 A for 10-mm bars.
- The number and the distance between supports, according to the nominal current and the short-circuit current, are stated in the enclosed table.

 Supply: two insulating bar supports, one metal vertical support and fixing elements.

Nominal dimensions (mm)	Reference
Width/Depth (B)	
400	NSYBVS400
500	NSYBVS500
600	NSYBVS600
800	NSYBVS800

- The number and the distance between supports, according to the nominal current and the short-circuit current, are stated in the enclosed table.



Sets of vertical bars			Maximum distance between bar supports (mm) according to the short-circuit current, I _{cc} (kA)									
Nominal rating I _n (A)	Cross-section (mm)	No. of bars per phase	I _{cc} (kA)									
			15	25	30	40	50	60	65	75	85	
750	60 × 5	1	650	325	325	217	-	-	-	-	-	-
900	80 × 5	1	650	325	325	217	-	-	-	-	-	-
1250	60 × 5	2	650	325	325	217	163	-	-	-	-	-
1600	80 × 5	2	650	325	325	217	217	-	-	-	-	-
1080	50 × 10	1	650	650	650	325	217	217	-	-	-	-
1250	60 × 10	1	650	650	650	325	325	217	-	-	-	-
1600	80 × 10	1	650	650	650	325	325	217	-	-	-	-
1850	50 × 10	2	650	650	325	325	325	217	217	217	-	-
2000	60 × 10	2	650	650	650	325	325	325	217	217	-	-
2500	80 × 10	2	650	650	650	325	325	325	325	217	-	-
2800	100 × 10	2	650	650	650	650	325	325	325	217	163	-

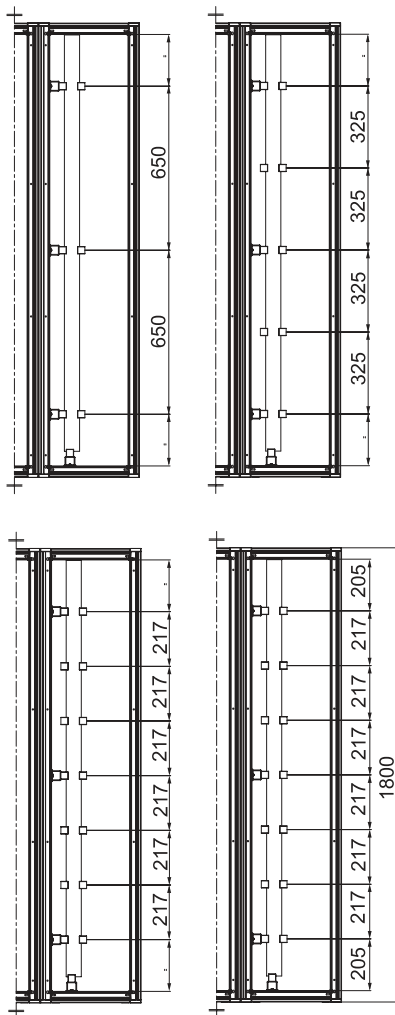
Note: The current-carrying capacity values in the set of bars are given for an ambient temperature of 35 °C around the busbar. The nominal rating values are indicated for IP55. The maximum values (3200 A) are achieved with ambient temperatures of less than 35 °C, varying according to the configuration and position of the busbar. See enclosed table of current-carrying capacities according to temperature, page 7/95.

Power distribution

Busbar support accessories

Selection of the number of supports

- The number and cross-section of the bars are chosen for each phase, according to the nominal rating.
- Determine the short-circuit current I_{cc} (kA) and use the table to obtain the maximum distance between supports.
- Based on the maximum distance between supports, obtain the number of supports to be installed according to the following criterion:
 - Three vertical supports must necessarily be fixed to the structure (ref. **NSYBVS...**).
 - If more than three supports are required, the support arms must be used (ref. **NSYBSA**), in even numbers (2, 4, etc.).
- Example:
 - In: 2000 A, two 60×10 bars are required per phase.
 - I_{cc} : 50 kA.
 - According to the table of maximum distance between supports they must be 325 mm.
 - Length of the copper bars: 1800 mm.
 - $1700/325 = 5.23$, which means 6 supports, 3 fixed vertical supports and 3 support arms + 1 extra support for the number to be even.




Power distribution

Busbar support accessories



Setting support

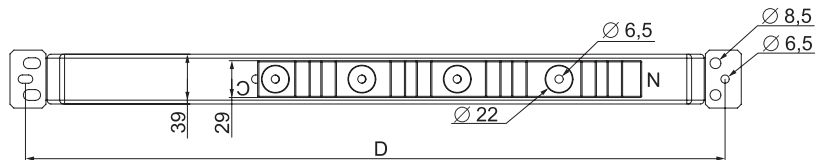
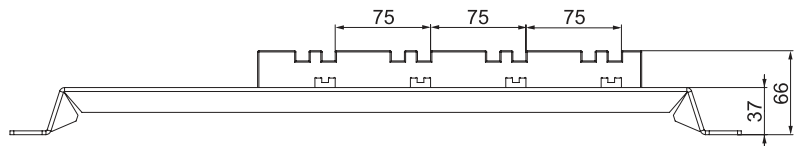
- Bottom support for bars in vertical position.
- It is fixed to the bottom frame of the enclosure.
- It is required for supporting the bars.
- It is not considered a bar support when calculating the number of supports.

 Supply: one insulating bar support, one metal vertical support and fixing elements.



[For ranges SF]

Nominal dimensions (mm)	Reference
Width/Depth	
400	NSYAS400
500	NSYAS500
600	NSYAS600
800	NSYAS800

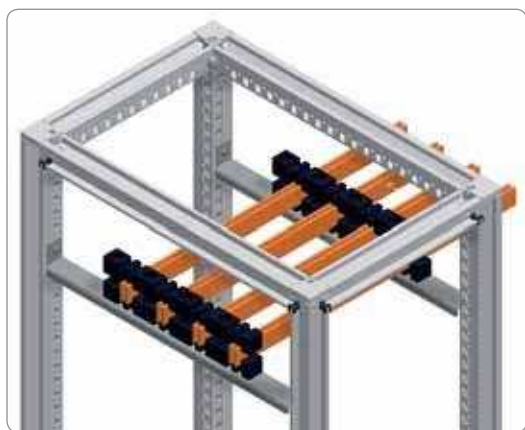


Power distribution

Busbar support accessories




[For ranges SF, SFX]

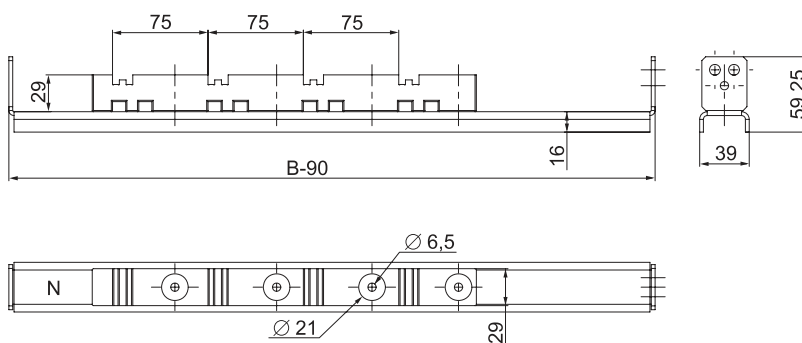


Horizontal bar support up to 3200 A

- Support prepared for fixing bars in horizontal position.
- Direct mounting to the structure of the enclosure, on the vertical uprights, at any height, adjustable with a pitch of 25 mm.
- Maximum nominal rating:
 - 1600 A for 5-mm bars.
 - 3200 A for 10-mm bars.
- The number and the distance between supports, according to the nominal and short-circuit current, are stated in the enclosed table.

 Supply: two insulating bar supports, one metal horizontal support and fixing elements.

Nominal dimensions (mm)	Reference
Width/Depth (B)	
500	NSYBHS500
600	NSYBHS600
800	NSYBHS800



Sets of vertical bars			Maximum distance between bar supports (mm) according to the short-circuit current I _{cc} (kA)								
Nominal rating I _n (A)	Cross-section (mm)	No. of bars per phase	15	25	30	40	50	60	65	75	85
750	60 × 5	1	650	325	325	217	-	-	-	-	-
900	80 × 5	1	650	325	325	217	-	-	-	-	-
1250	60 × 5	2	650	325	325	217	163	163	130	108	81
1600	80 × 5	2	650	325	325	217	217	163	130	108	81
1080	50 × 10	1	650	650	650	325	217	217	163	-	-
1250	60 × 10	1	650	650	650	325	325	217	163	130	108
1600	80 × 10	1	650	650	650	325	325	217	163	130	108
1850	50 × 10	2	650	650	325	325	325	217	217	217	163
2000	60 × 10	2	650	650	650	325	325	325	217	217	163
2500	80 × 10	2	650	650	650	325	325	325	325	217	163
2800	100 × 10	2	650	650	650	650	325	325	325	217	163

Note: The current-carrying capacity values in the set of bars are given for an ambient temperature of 35 °C around the busbar. The nominal rating values are indicated for IP55. The maximum values (3200 A) are achieved with ambient temperatures of less than 35 °C, varying according to the configuration and position of the busbar. See enclosed table of current-carrying capacities according to temperature, page 7/95.

Power distribution

Busbar support accessories

[For ranges SF, SFX]

Selection of the number of supports

- The number and cross-section of the bars are chosen for each phase, according to the nominal rating.
- Determine the short-circuit current I_{cc} (kA) and use the table to obtain the maximum distance between supports.
- Based on the maximum distance between supports, obtain the number of supports to be installed according to the following criterion:
 - Two supports must necessarily be fixed to the structure per enclosure. In the event of enclosure suites, only one support is required, fixed to one of the uprights of the coupling.
 - If more than two supports are required per enclosure, the support arms must be used (ref. NSYBSA).

Table of current-carrying capacities according to temperature


Type of bars		Current-carrying capacity (A) according to the ambient temperature around the frame				
Cross-section (mm)	No. of bars per phase	25 °C	30 °C	35 °C	40 °C	45 °C
60 × 5	1	840	790	750	700	650
80 × 5	1	1050	990	900	870	810
60 × 5	2	1420	1350	1250	1180	1090
80 × 5	2	1820	1720	1600	1510	1390
50 × 10	1	1220	1160	1080	1010	940
60 × 10	1	1400	1320	1250	1160	1070
80 × 10	1	1800	1700	1600	1500	1390
50 × 10	2	2090	1980	1850	1740	1610
60 × 10	2	2270	2140	2000	1870	1720
80 × 10	2	2820	2660	2500	2330	2160
100 × 10	2	3200	3100	2800	2720	2510

Note: The rating values according to temperature are not exhaustive, since they depend on the configuration and position of the bars inside the enclosure.



Bar support arm

- Support without fixing to the enclosure, required to guarantee the distance between the bars.
- It is used on bars in both vertical and horizontal position.
- To choose the number of supports, see the tables of maximum distances between supports, pages 7/86, 7/91 and 7/94.

 Supply: two insulating bar supports and fixing elements.

Reference
NSYBSA

Power distribution

Distribution blocks



Sigma safety terminals

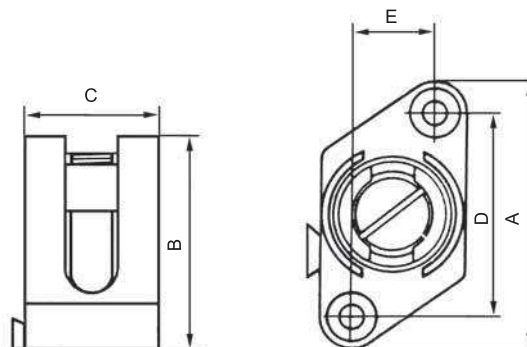
Safety terminals made from self-extinguishing Polyamide-6, with matt black base, **MS-58** brass terminal (DIN 17660), tempered, zinc-plated and dichromated steel ring, and cover made from orange-coloured self-extinguishing polypropylene.

- **Anti-shearing:** the connection is made by means of a tightening mechanism, which distributes the pressure across the entire contact surface, avoiding friction and occasional stress that can damage the conductors.
- **Unloosenable:** the ring that surrounds the brass body guarantees that the pressure exerted by the actual conductors cannot open the terminal and loosen the connection.
- **Full insulation:** all the SIGMA "S" terminals are supplied with a terminal-covering cap, avoiding any accidental contact with live parts.

All the gauges can be coupled together, forming strips of any length. Operating voltage: 500 V.

Section (mm ²)	A	B	C	D	E	Supply	Reference
1 × 4	30	20	13	21	4	20	NSYS04
1 × 6	33	25	16	24	7	20	NSYS06
1 × 10	38	28	16	28	6	20	NSYS10
1 × 16	42	32	19	32	9	20	NSYS16
1 × 35	46	38	23	34	11	20	NSYS2535
1 × 50	52	45	27	40	15	20	NSYSDT5
1 × 70	55	50	30	40	15	20	NSYS70
1 × 100	58	54	33	40	20	10	NSYS95100

Note: Each terminal accepts up to 2 conductors with the specified section.



Power distribution

Distribution blocks

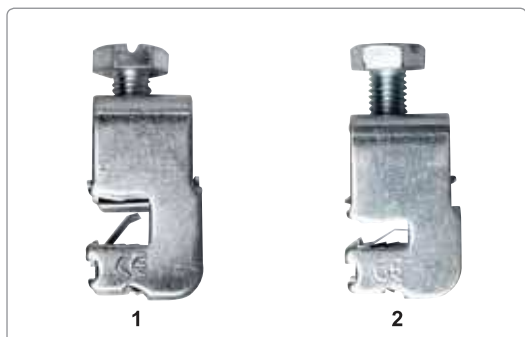


Bimetal terminals

Terminals specially designed for the junction of cables on plates, their main application is in busbar connections. The bimetal terminals are made from a copper alloy, hot-stamped and tin plated, suitable for connecting a copper or aluminium conductor indistinctly (bimetal).

Supply: 4 bimetal terminals.

Main section (mm ²)	Junction section (mm ²)	Reference
6-50	-	NSYBBH29
6-50	-	NSYBBH29C
10-95	-	NSYBBH30
16-150	-	NSYBBH31
50-240	-	NSYBBH32
6-50	6-50	NSYBBH29D
6-50	6-50	NSYBBH29DC
10-95	10-95	NSYBBH30D
25-150	16-150	NSYBBH31D
95-240	5-240	NSYBBH32D
6-50	-	NSYBBH29P
6-50	-	NSYBBH29PC
6-50	6-50	NSYBBH29DP
6-50	6-50	NSYBBH29DPC

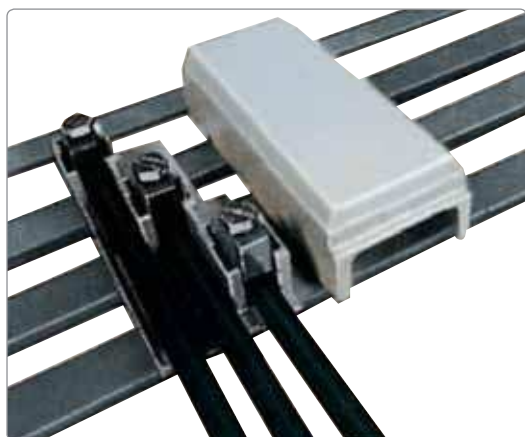


Plate/cable terminals

Entry by plate and junction by cable, plate or terminal.

Supply: 1 junction terminal.

Junction cable-section (mm ²)	Plate thickness (mm)	Fig.	Reference
1.5 to 16	5	2	NSYBPCH516
1.5 to 50	5	2	NSYBPCH550
16 to 120	5	2	NSYBPCH5120
1.5 to 16	10	1	NSYBPCH1016
1.5 to 50	10	1	NSYBPCH1050
16 to 120	10	1	NSYBPCH10120



Three-pole junction terminals

Entry by plate and junction by cable (for busbars).

Supply: 1 junction terminal.

Entry plate width (mm)	Entry plate thickness (mm)	Junction cable section (mm ²)	Reference
12/15/20/25/30	5 to 10	35 to 120	NSYBTE630TBT

Power distribution

Distribution blocks

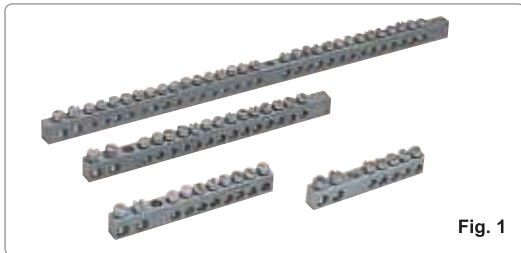


Fig. 1

Earthing strips

For the junction of neutral and earth cables.

- Models **NSYRBL** (Fig. 1) for installation in boxes with insulating rear or by means of insulators, not supplied.
- Models **NSYRBLZ** (Fig. 2) with insulating plinth for fitting under pressure on 12 × 2-mm rail.



Supply: 10 earthing strips

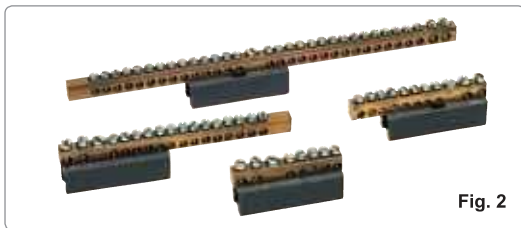
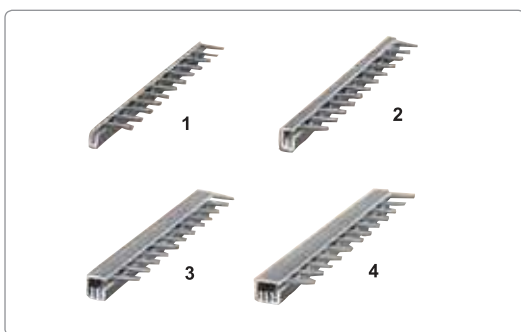


Fig. 2

Number of terminals × section mm ²	Fig.	Reference
2 × 16 mm ² + 5 × 6 mm ²	2	NSYRBL21656M
2 × 16 mm ² + 8 × 6 mm ²	2	NSYRBL21686M
2 × 16 mm ² + 14 × 6 mm ²	2	NSYRBL216146M
2 × 16 mm ² + 29 × 6 mm ²	2	NSYRBL216296M
2 × 16 mm ² + 5 × 6 mm ²	1	NSYRBLZ21656
2 × 16 mm ² + 8 × 6 mm ²	1	NSYRBLZ21686
2 × 16 mm ² + 14 × 6 mm ²	1	NSYRBLZ216146
2 × 16 mm ² + 29 × 6 mm ²	1	NSYRBLZ216296



Fig. 2



Distribution boards

For distribution in a single row of circuit breakers with a total of 12 modules.



Supply: 10 distribution boards.

N.º of bars	N.º of poles per bar	Fig. n.º	Reference
1	12	1	NSYBDS112
2	6	2	NSYBDS26
3	4	3	NSYBDS34
4	3	4	NSYBDS43

Accessories



Cable management

7/101

Cable entries 7/102

FL21-type membranes 7/105

IP 65 connector free cable entries system 7/106

Cable entries system with connectors 7/109

PVC cable entries 7/110

Neoprene adjustable cone-shaped entries 7/111

Plugs/Protection rings 7/112

Cable guides 7/113

L-rail for fixing cables 7/114

Plastic cable support 7/115

Door cable-guide 7/115

Adjustable cable ties 7/116

Captive clips 7/116

Cable-tie fixing support 7/117

Self-adhesive support bases 7/117

Corrugated cable-gland tube and fixing support 7/118

Cable-gland for body/door 7/119

Cable-duct and cover 7/120

Cable-duct support 7/121

Plastic foot for cable-duct support 7/122

Label frame 7/122

Insulated-head screw 7/122

Lyre-shaped clamps 7/123

Steel wired cable tray 7/123

Cable management



Minimum size and a high assembly:

Choice

Multiple solutions that can be combined on a single cable-entry plate (machining possible at the plant) or directly on the enclosure. See our customised offer.

- IP 67 ISO cable-glands: for quick installation without tools.
- IP 67 cable-glands.
- IP 65 membranes for quick cable entries with FL21-type cut-out.
- IP 65 plate for quick cable entries with the following types of cut-outs: Harting or circular M50 and M63.
- IP 65 plate for cable entries equipped with Harting-type cut-outs and connectors.

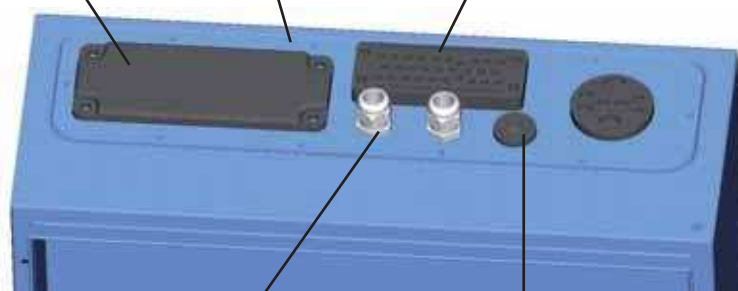
Saves time:
IP 65 membranes for quick cable entries with FL21-type cut-out.

Service:
Direct machining of the cut-out on the body of the enclosure.

Development of the installation:

IP 65 plate for quick cable entries with the following types of cut-outs: Harting or circular M50 and M63.

Smart:
IP 54 plate for cable entries equipped with Harting-type cut-out connectors.



Practical:
IP 67 cable-glands.

Simple:
IP 67 ISO cable-glands: for quick installation without tools.

Example of installation on cable-entry plate.



Machining of your plate before painting, with our specific service.

Specific



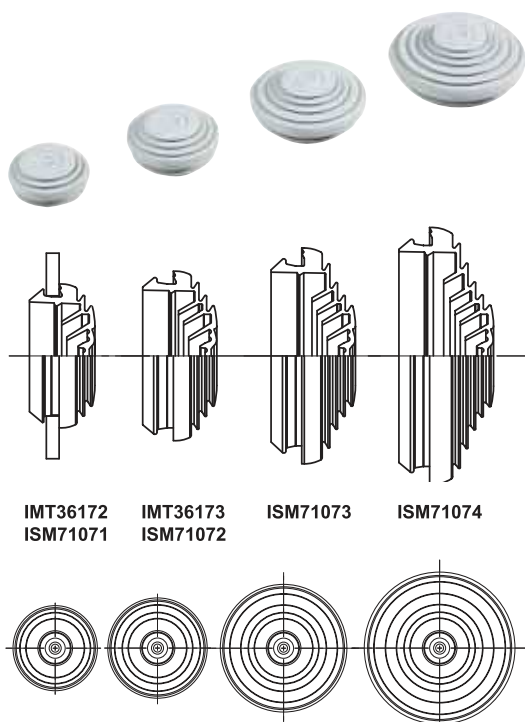
Cable management

Cable entries

	Description	Diameter	Details	See also the accessories
	Stepped mixed end pieces for IP 55 direct cable entries.	For cables Diameter 23 Diameter 29 Diameter 36 Diameter 44	Page 7/103	Door cable-guide cross-rail Page 7/115
	IP 67 quick cable entries	M12 M16 M20 M25 M32 M40 M50	Page 7/103	Adjustable cable tie Page 7/116
	ISO cable-gland	M12 M16 M20 M25 M32 M40	Page 7/104	Self-adhesive support bases Page 7/117
	IP 65 membranes	For cables with diameters from 8 to 60 mm	Page 7/105	Fixing lugs for the earthing strip Page 7/29
	IP 65 circular cable entries Entries from 3 mm to 14 mm	2 sizes: M50 and M63	Page 7/106	Plastic cable tie fixing support Page 7/116
	IP 65 cable entries without connectors. Entries from 3 mm to 6.5 mm	Dimensions 112× 36	Page 7/106	Covered cable ducts Page 7/120
	Plates for cable entries with IP 54 connectors	91 × 36 112 × 36	Page 7/109	Duct support Page 7/121

Cable management

Cable entries



Mixed membrane entries for IP 55 direct cable entries

Common accessories for the Thalassa and Spacial offers

- Membrane entries with multiple membranes.
- IP 55.
- RAL 7035.
- Patented concentric cutting. A simple screwdriver is enough. Enables ultra-quick connection with the choice of several cable diameters for the same membrane entry.
- Material: SBS.
- Minor packaging of 10 pieces.
- Warning: The IP becomes 55.
- Suitable for walls from 2 to 3.2 mm.

Ø (mm)		Minor pack.	References and colours	
Drill hole	Cable / conduit		RAL 9010 white	RAL 7035 light grey
23	4 - 20	10	IMT36172	ISM71071
29	4 - 25	10	IMT36173	ISM71072
36	4 - 32	10	-	ISM71073
44	4 - 40	10	-	ISM71074

Installation of IP 55 entries

- Insertion of rigid cables:
 - Strip at least 100 mm.
 - Push the wires through the membrane.
- Insertion of flexible cables:
 - Pierce partially and soften the membrane with a 4 to 5.5-mm screwdriver.
 - Pass the cable through the membrane.
- Insertion of conduits:
 - Peel the necessary step: 16, 20, 25, 32 or 40 mm.
 - Push the conduit.



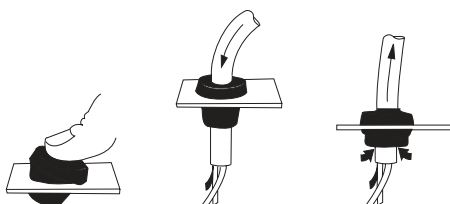
IP 67 quick cable entries

- IP 67.
- Material: EPDM plastic.
- Suitable for walls from 1 to 4 mm (0.5 to 2 mm for ref. **IMT36179**).
- Quick installation with no tools.
- Installation direction: the conical part is inside the box.

ISO	Ø of drill hole	Cable Ø (mm)	Minor pack.	Reference
M12	12.5	3 - 5	50	IMT36179
M16	16	5 - 7	50	IMT36180
M20	20.3	7 - 10	50	IMT36181
M25	25.3	10 - 14	50	IMT36182
M32	32.4	14 - 20	50	IMT36183
M40	40.7	20 - 26	25	IMT36184
M50	50.7	26 - 35	25	IMT36185

Application

- Push the cable entry into the hole. The conical part must be inserted into the box.
- Prepare and loosen the cable entry with a screwdriver. Pass the cable through the cable entry.
- Pull the cable back slightly to fix it in place. The installation is complete.



Cable management

Cable entries


Cable-gland, disc and plug selection table

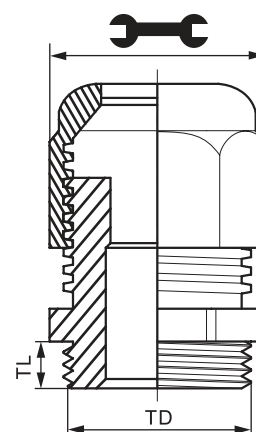
Ø	1-cable cable gland			Multi-cable disc		Gasket	Blanking plug	Transport plug
	Ref.	Ø min / max (mm)	drill \ (2)	Ref.	Number / Ø (mm)			
M12	ISM71501	3 / 6.5	12.2 (0 + 0.2)	-	-	IMT36151	IMT36161	-
M16	ISM71502	4 / 8	16.2 (0 + 0.2)	IMT36157	2 × Ø 4	IMT36152	IMT36162	IMT36167
M20	ISM71503	6 / 12	20.2 (0 + 0.2)	IMT36158	3 × Ø 4	IMT36153	IMT36163	IMT36168
M20 (1)	IMT36150	6 / 12	20.2 (0 + 0.2)	IMT36158	3 × Ø 4	IMT36153	IMT36163	IMT36168
M25	ISM71504	11 / 17	25.2 (0 + 0.2)	IMT36159	4 × Ø 5	IMT36154	IMT36164	IMT36169
M32	ISM71505	15 / 21	32.2 (0 + 0.3)	IMT36160	6 × Ø 5	IMT36155	IMT36165	IMT36170
M40	ISM71506	19 / 28	40.5 (0 + 0.3)	-	-	IMT36156	IMT36166	IMT36171

(1) Cable-gland with high resistance to fire.
 (2) In brackets: tolerance.



ISO cable-gland

Ø	Reference	TD	TL		Thread
M12	ISM71501	12	6	15	1.5
M16	ISM71502	16	8	19	1.5
M20	ISM71503 - IMT36150	20	10	24	1.5
M25	ISM71504	25	8	29	1.5
M32	ISM71505	32	10	36	1.5
M40	ISM71506	40	10	46	1.5



- IP 68, 5 bars.
- According to standard IEC 62208.
- RAL 7035 grey.
- Material: PA6, neoprene gasket.
- Usage temperature: - 30 ... + 80 °C up to + 150 °C intermittently.
- The cable-glands are supplied with nuts.
- The IP is guaranteed with no gasket between the cable-gland and the thermoplastic box. A gasket available as an accessory guarantees the seal in the event of installation on a steel enclosure.
- The cable-gland (ref. **IMT36150**) is especially recommended for security circuits (glow wire resistance: 960 °C).
- Pack of 20 (M12 to M20), 10 (M25 and M32), 5 (M40).

Cable-gland gasket

- Batch of 100 (M12 to M25), 50 (M32), 25 (M40).

Multi-cable disc

- It is possible to pass several cables through a single cable-gland using the multi-cable bushing.

Blanking plug

- It is screwed into the cable-gland's place.
- Pack of 20 plugs (M12 to M15), 10 plugs (M32), 5 plugs (M40).

Transport plug

- It is installed to block the cable-gland during transport or during maintenance operations.
- Pack of 20 plugs (M16 to M25), pack of 10 (M32), pack of 5 (M40).



Multi-cable disc



Blanking plug



Transport plug

Cable management

Cable entries

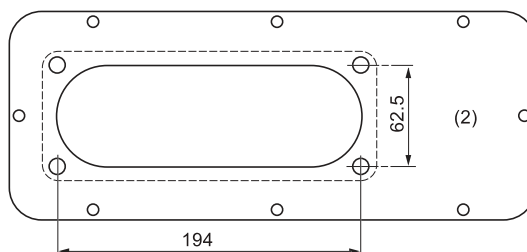
FL21-type membranes for IP 65 cable-entry plate

Number of cable entries	Diameter of the cable entry (Ø mm)											Reference
	5-7	6-10	8-12	8-16	10-14	12-18	14-20	17-32	20-26	24-54	30-60	
0												NSYAECPLBP
7				4						2	1	NSYAECPLT7
25	4		4		12		4		1			NSYAECPLT25
35		2	14		16	2		1				NSYAECPLT35



Sealed cable entries made from insulating material (fire resistance: V0 according to UL 94).

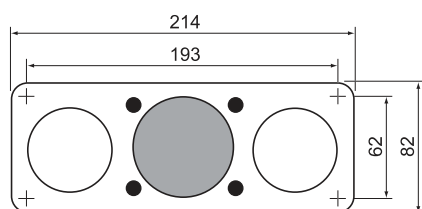
- Guarantees a degree of protection of IP 65.
- Dark grey colour.
- Installation on pre-cut plates or direct installation on the enclosures with our specific offer. Please consult us.
- 3 models: 7 to 35 cable entries.
- Cover for cut-out ref. **NSYAECPLBP**.



Features of the membranes

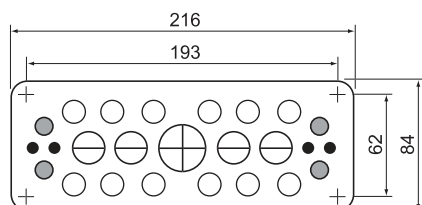
NSYAECPLT7

Symbol	For cable Ø	No. of entries
●	8-16	4
○	24-54	2
⊕	30-60	1



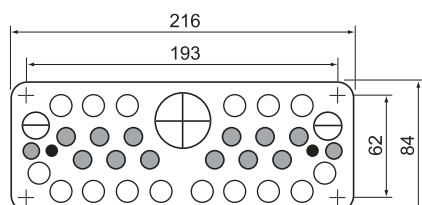
NSYAECPLT25

Symbol	For cable Ø	No. of entries
●	5-7	4
●	8-12	4
○	10-14	12
⊕	14-20	4
⊕	20-26	1



NSYAECPLT35

Symbol	For cable Ø	No. of entries
●	6-10	2
●	8-12	14
○	10-14	16
⊕	12-18	2
⊕	17-32	1



Cable management

Cable entries



IP 65 connector-free cable entries: Two solutions to suit your application


Circular

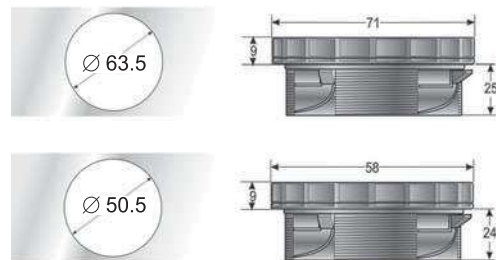
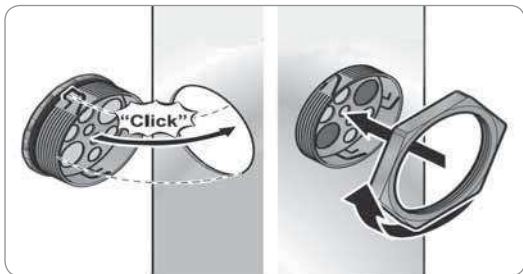
Compact, flexible system for inserting cables in electrical enclosures or connection boxes, for example:

Specifications

- IP 65 tightness.
- Fire resistance: V0.
- Cut-outs \varnothing 50 and 63 mm.
- Installation by nut, up to Spacial wall-mounting steel enclosure size $700 \times 500 \times 250$ mm.
- 2 installation methods are possible for sizes larger than $700 \times 500 \times 250$ mm: clipping or screwing (installation by screwing recommended).

 Composition: 10 units.

 Reference by unit. Order by multiples of 10 (10, 20, 30...).



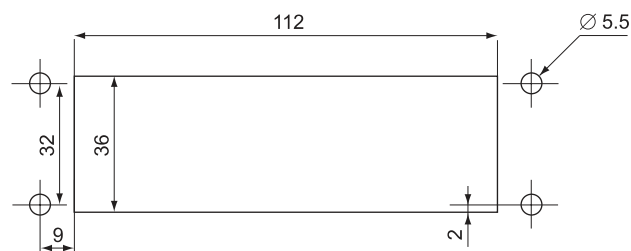
Rectangular

Compact, flexible system for inserting cables in electrical enclosures or connection boxes, for example:

- External dimensions: $146 \times 14 \times 58$ mm.
- Drill-hole diameter: 112×36 mm.

Specifications



- IP 65 tightness.
- Fire resistance: V0.
- Identical cut-outs to the 24-point connectors.
- Installation by screwing, up to Spacial wall-mounting steel enclosure size $700 \times 500 \times 250$ mm.
- 2 installation methods are possible for sizes larger than $700 \times 500 \times 250$ mm: clipping or screwing (installation by screwing recommended).



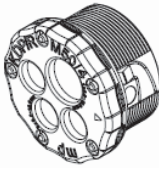
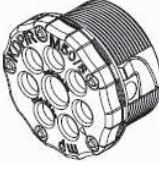
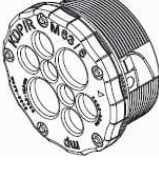
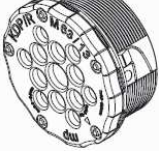
Cable management

Cable entries

Selection guide

Type	No. of openings	Dimensions/ cut-out Ø	Diameter of the cable entry (Ø mm)								Reference
			3-5.5	4.3-8.1	3-6.5	3.6-6.5	5-9.2	6-10	8-12.5	9.6-15.9	
	4	50.5						3		1	NSYTSAM504SE
	8	50.5				7		1			NSYTSAM508SE
	8	63.5			2		4			2	NSYTSAM638SE
	13	63.5	6			6		1			NSYTSAM6313SE
	14	112×36			6		4				NSYTSAM2414SE
	17	112×36					17			4	NSYTSAM2417SE
	22	112×36			16		4		2		NSYTSAM2422SE
	23	112×36		23							NSYTSAM2423SE
	29	112×36			29						NSYTSAM2429SE

Position of the holes on the circular cable entries with diameters 50 and 63 mm

Type	Hole diameter	Reference
	1 × Ø 9.6 to 15.9 mm 3 × Ø 6 to 10 mm	NSYTSAM504SE
	7 × Ø 6 to 10 mm 1 × Ø 6 to 10 mm	NSYTSAM508SE
	2 × Ø 3 to 6.5 mm 4 × Ø 5 to 9.2 mm 2 × Ø 9.6 to 15.9 mm	NSYTSAM638SE
	6 × Ø 3 to 5.5 mm 6 × Ø 3.6 to 6.5 mm 1 × Ø 6.0 to 10.0 mm	NSYTSAM6313SE

Cable management

Cable entries

Diagrams of dimensions and positions of the holes on a rectangular cable entry

Cable entries (mm)	Type	Reference
6 × 3 to 6.5 4 × 5 to 9.2 4 × 9.6 to 15.9		NSYTSA2414SE
17 × 9,2		NSYTSA2417SE
29 × 3 to 6.5		NSYTSA2429SE
16 × 3 to 6.5 4 × 5 to 9.2 2 × 8 to 12.5		NSYTSA2422SE
23 × 4.3 to 8.1		NSYTSA2423SE

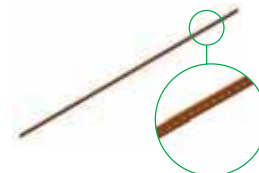
7



See also the accessories



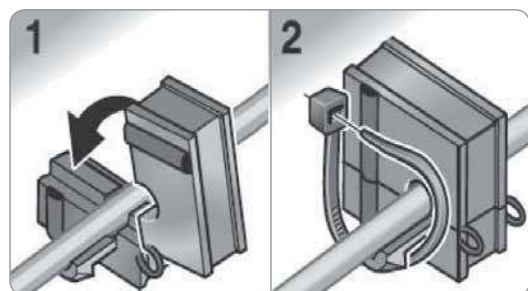
Adjustable cable tie page 7/110



Cable management page 7/140

Cable management

Cable entries

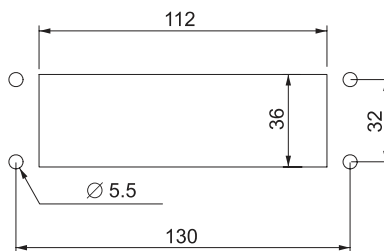


Cable entries system with connectors

- System in two parts for inserting cables and hoses in the enclosures.
- Several ribbed gaskets adapted to the diameter of the cable.
- Models:
 - 24/0: plain.
 - 24/4: for two small gaskets with cable diameters between 3 and 14 mm, and two large gaskets with cable diameters between 16 and 31 mm.
 - 24/10: for 10 small gaskets with cable diameters between 3 and 14 mm.
- Water/dustproof: IP54 for plate with entries, IP65 for plain plate.
- Identical recessing as for 24-point connectors.
- Material: PA.

Supply: 1 plate and fixing elements.

Cable-gland plates for connectors		
Types	No. of entries	Reference
Plate 24/0	0	NSYDCE240
Plate 24/4	4	NSYDCE244
Plate 24/10	10	NSYDCE2410



Gaskets for cable entries system

- Ribbed gaskets adapted to the diameter of the cable.
- They are installed on the cable-gland plates for connectors.
- Models:
 - Small gaskets with diameters between 3 and 14 mm.
 - Large gaskets with diameters between 16 and 31 mm.
- Material: thermoplastic rubber.

Supply: 10 units.

Reference by unit. Order by multiples of 10 (10, 20, 30...).

	Ø cable (mm)	Reference
Small gasket	Plain	NSYCEJD
	3-4	NSYCEJD3
	5-6	NSYCEJD5
	7-8	NSYCEJD7
	9-10	NSYCEJD9
	11-12	NSYCEJD11
Large gasket	13-14	NSYCEJD13
	16-17	NSYCEJD16
	18-19	NSYCEJD18
	20-21	NSYCEJD20
	22-23	NSYCEJD22
	24-25	NSYCEJD24
	26-27	NSYCEJD26
28-29	NSYCEJD28	
	30-31	NSYCEJD30

Cable management

Cable entries

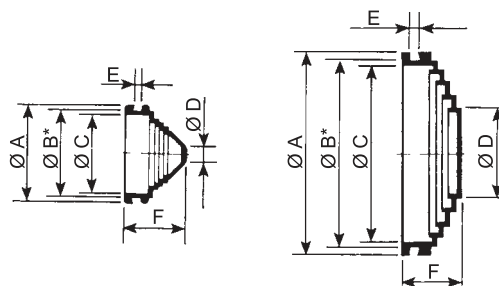


PVC adjustable cone-shaped entries

PVC insulating cone-shaped entries which can be cut according to the volume of cables. Installation on insulating distribution boxes and protection boxes; generally suitable for thicknesses matching the dimension E.

Fig.	Ø A	Ø B*	Ø C	Ø D	E	F	Capacity		Composition	Reference
							Cable Ø	Tube		
1	25	21.5	18	5	3.2	13	5 to 18	Pg. 9 to 11	50	NSYECPC3
1	33	29.5	26	5	3.2	20	5 to 26	Pg. 9 to 16	25	NSYECPC5
1	43	38.5	36	5	3.2	22	5 to 36	Pg. 9 to 21	25	NSYECPC6
2	70	63	60	28	3	20	28 to 60	Pg. 21 to 48	10	NSYECPC9
2	98	90	87	28	3	23	28 to 87	Pg. 21 to 48	10	NSYECPC15

*Drill-hole for mounting.

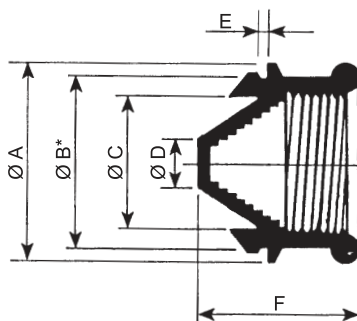


PVC adjustable cone-shaped entries

PVC insulating cone-shaped entries, threaded for the entry of Pg tubes and detachable rear for cable entry. They allow the entry of all types of normal and flexible cables and tubes, with diameters comprised between the dimension B and the thread root (maximum Ø).

Ø A	Ø B*	Ø C	Ø D	E	F	Capacity		Composition	Reference
						Cable Ø	Tube		
25	19.5	16	3	1.2	21	3 to 16	Pg. 9	50	NSYEC1
25	19.5	16	6	1.2	21	6 to 16	Pg. 11	50	NSYEC2
27	21.5	18	7	1.2	23	7 to 18	Pg. 13.5	50	NSYEC3
29.5	23.5	20	8	1.2	26	8 to 20	Pg. 16	25	NSYEC4
35	29.5	26	10	1.2	27	10 to 26	Pg. 21	25	NSYEC5
42	38.5	35	12	1.5	30	12 to 35	Pg. 29	25	NSYEC6
52	48.5	44	13	1.5	30	13 to 44	Pg. 36	25	NSYEC7

*Drill-hole for mounting.



Cable management

Cable entries



Neoprene adjustable cone-shaped entries

Neoprene adjustable cone-shaped entries. This material has excellent mechanical, dielectric and thermal properties and can resist corrosive environments.



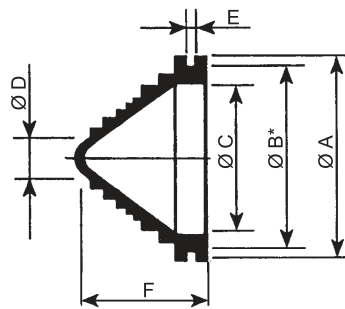
Composition: 25 units.



Reference by unit. Order by multiples of 25 (25, 50, 75...).

Ø A	Ø B*	Ø C	Ø D	E	F	Capacity		Composition	Reference
						Cable Ø	Tube		
24	19.5	14	8.6	1.75	20	8.6 to 14	-	50	NSYECN1
34	29.5	26	9	1.75	22	9 to 26	Pg. 9 to 16	25	NSYECN5
43	38.5	32	9	1.75	28	9 to 32	Pg. 9 to 21	25	NSYECN6
53	48.5	36	9	1.75	32	9 to 36	Pg. 9 to 29	25	NSYECN7
71	65	60	9.2	1.75	40	9.2 to 60	Pg. 9 to 48	10	NSYECN10

*Drill-hole for mounting.



Cable management

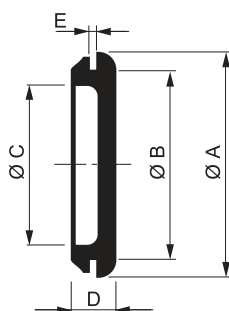
Cable entries



Plugs

Made from black PVC, they are suitable for all diameters of knock-out holes on the boxes.

Ø A	Ø B	Ø C	D	E	Composition	Reference
25.5	20	16.5	7	1.2	50	NSYTC1
27.5	22	19	7	1.2	50	NSYTC2
29.5	24	21	7	1.2	50	NSYTC3
36.5	29.5	27	7	1.5	25	NSYTC4
46.5	39	35	7.5	1.5	25	NSYTC5
56.5	49	45	7.5	1.5	25	NSYTC6



Protection rings

Protection rings for cables at the exit of the tubes. They are made from flexible, strong, light-grey PVC.

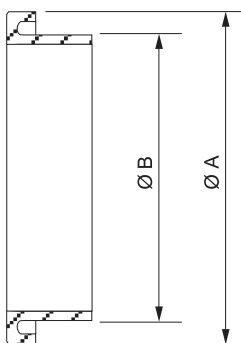


Composition: 100 units.



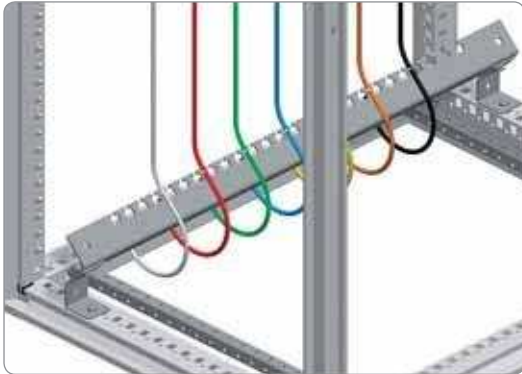
Reference by unit. Order by multiples of 100 (100, 200, 300...).

A	Ø B	Tube	Reference
15.2	12.7	Pg. 9	NSYPC1
18.6	16	Pg. 11	NSYPC2
20.4	17.8	Pg. 13.5	NSYPC3
22.5	19.8	Pg. 16	NSYPC4
28.3	25.3	Pg. 21	NSYPC5
37	33.6	Pg. 29	NSYPC6
47	43	Pg. 36	NSYPC7



Cable management

Cable holding



For ranges
SF, SM, SFX, SMX

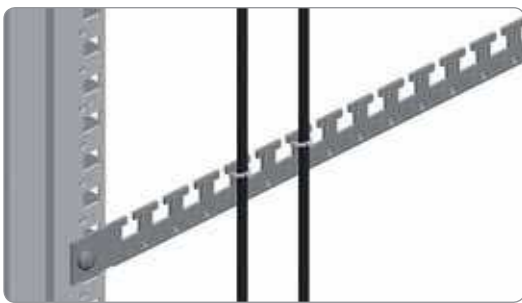
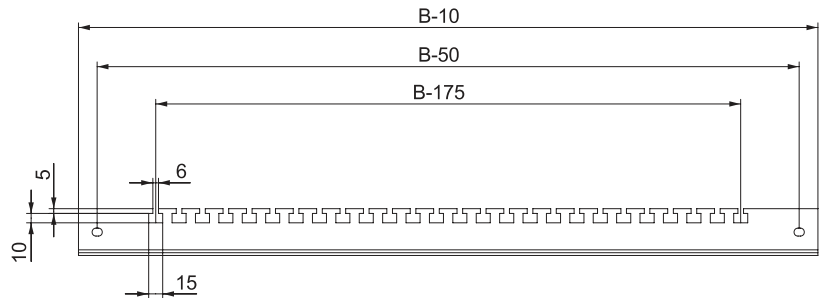
Lower cable-guide cross-rail

- It allows quick fixing of cables entering and exiting the enclosure.
- Depth adjustable every 25 mm.
- Spacial SF: for suitable enclosures with widths of 1200 and 1600 mm, use the adaptation kit for 2-door suitable enclosures, see page 7/19.
- Spacial SM: for floor-standing enclosures with a width of 1200 mm, a top/bottom mounting rail installed in central position is required. See page 7/21.
- Spacial SFX: no adaptation piece is required for the 1200-mm suitable enclosures.
- Spacial SMX: no adaptation piece is required for the 1600-mm floor-standing enclosures.
- Material: galvanised steel.



Composition: 1 cable-guide cross-rail and fixing elements.

Spacial dimensions (mm)	Reference
Width (B)	
600	NSYCFP60
800	NSYCFP80
1000	NSYCFP100
1200	2 × NSYCFP60
1600	2 × NSYCFP80



For ranges
SF, SM, SFX, SMX

Cable-guide cross-rails for framework

- Spacial SF and SFX: support for direct mounting on the framework, cross-rails or rails.
- Spacial SM: fixing on the bottom mounting rail, or on the floor-standing enclosure by means of adaptation rails and 40-mm universal cross-rails (1 row) in vertical position.
- Spacial SMX: fixing on the bottom mounting rail and 40-mm universal cross-rails (1 row) in vertical position.
- Support types:
 - Angle support at 90°: for vertical cable fixing.
 - Angle support at 120°: for fixing cables near the cable entry.
- Material: zinc-coated steel.



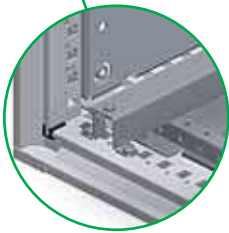
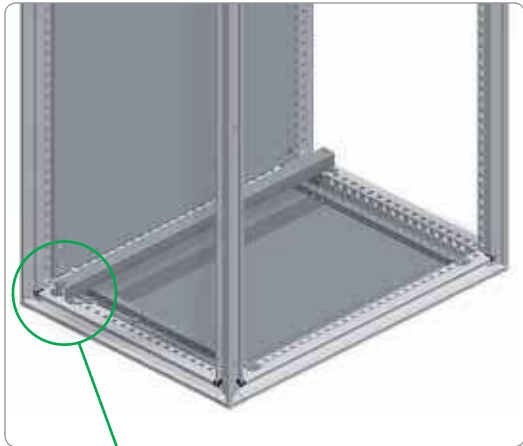
Composition: 2 supports and fixing elements.

Nominal dimensions (mm)	Support angle	Reference
Width / Depth (B / C)		
600	90°	NSYCFPS96
	120°	NSYCFPS126
800	90°	NSYCFPS98
	120°	NSYCFPS128

7

Cable management

Cable holding



L-rail for fixing cables

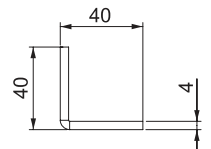
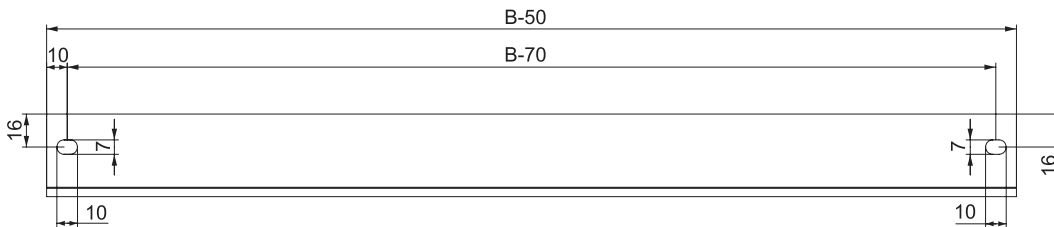
- Rail for fixing cables entering from the bottom.
- **Spacial SF and SFX**: fixing to the bottom frame, above the cable entry, or else to the plinth, using the plinth cross rails, see page **3/47**.
- **Spacial SM and SMX**: fixing to the bottom adjustment rails, above the cable entry, or else to the plinth, using the plinth cross rails, see page **3/47**.
- Adjustable depth with a pitch of 25 mm.
- The cables are fixed to the rail by means of metal clamps.
- Material: zinc-coated steel.
- It is not possible to mount it on a plinth cross rail.



Supply: one rail, two mounting supports and fixing elements.

Nominal dimensions (mm)		Reference
Width		
600		NSYFCG60
800		NSYFCG80
1000		NSYFCG100
1200		NSYFCG120
1600		NSYFCG160

[For ranges
SF, SM, SFX,
SMX]



Cable management

Cable holding



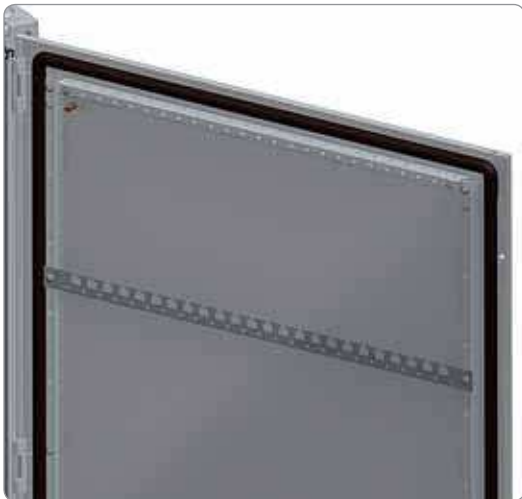
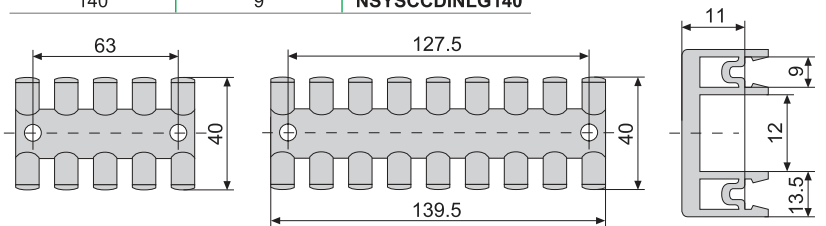
Plastic cable support

- It clips or screws onto 35-mm symmetric rails or a C-shaped rail.
- Quick and easy fixing of cables using cable ties.

Composition: 10 units.

Reference by unit. Order by multiples of 10 (10, 20, 30...).

Width (mm)	Maximum no. of cables	Reference
75	5	NSYSCCDINLG75
140	9	NSYSCCDINLG140



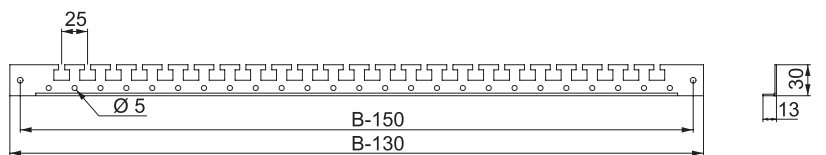
[For ranges SF, SM, SFX, SMX]

Door cable-guide cross-rail

- Recommended for fixing cables in the internal equipment of the door.
- Direct fixing on the reinforcement frame.
- Height adjustable every 25 mm.
- Material: zinc-coated steel.

Composition: 2 cable-guide cross-rails and fixing elements.

Spacial dimensions (mm)	Reference
Width (B)	
500	NSYSDGCR5
600	NSYSDGCR6
800	NSYSDGCR8
1000	NSYSDGCR10



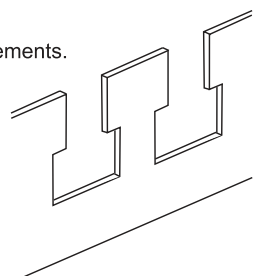
[For ranges S3D, CRN, S3X]

Door cable-guide cross-rails for wall-mounting enclosures

- They are installed on wall-mounting enclosures with heights from 400 mm for Spacial S3D/CRN and 500 mm for Spacial S3X.
- They are fixed to the door reinforcement frame by 2 self-tapping screws. The angle can be directed towards the body of the enclosure or towards the door.
- They make it easy to equip the inside of the door.
- Installation cable ties, page 7/116.

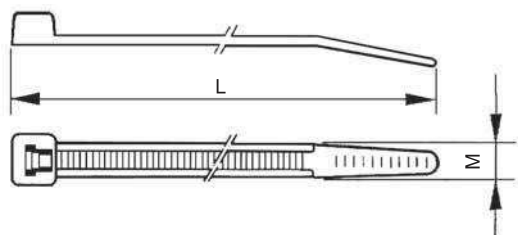
Composition: 2 cable-guide cross-rails and fixing elements.

Door width (mm)	Reference
400	NSYTFPCR4
500	NSYTFPCR5
600	NSYTFPCR6
800	NSYTFPCR8
1000	NSYTFPCR10



Cable management

Cable holding



Adjustable cable tie

- Polyamide 6/6.
- Operation temperature: -40 ... +85 °C.
- Melting point: 250 °C.
- Flame resistance according to UL 94 V-2.
- Glow-wire resistance at 650 °C / 30 s.
- Not sensitive to engine oil, greases, oil products, etc.
- Good resistance to bases and organic acids, chlorinated solvents. Not resistant to phenol.

Composition: 1000 units.

Reference by unit. Order by multiples of 1000 (1000, 2000, 3000...).

Width (mm)	Length (mm)	Maximum tightening Ø (mm)	Minimum resistance to pulling (kg)	Reference	
				Colourless	Black
2.5	100	18	8.2	NSYLZ25100	NSYLN25100
2.5	200	50	8.2	NSYLZ25200	NSYLN25200
3.5	200	49	8	-	NSYLN35200
3.6	140	33	13.6	NSYLZ35140	NSYLN35140
3.6	200	50	13.6	NSYLZ35200	NSYLN35200
3.6	295	76	13.6	NSYLZ35290	NSYLN35290
4.6	150	36	22	NSYLZ48160	NSYLN48160
4.6	390	109	22	NSYLZ48390	-
4.8	200	50	22.7	NSYLZ48200	NSYLN48200
4.8	270	73	22.7	NSYLZ48280	NSYLN48280
7.6	368	102	54.5	NSYLZ76380	NSYLN76380



Captive clips

They allow cable ties from series LZ25100 to LZ46390 to be fixed on panels with thicknesses of up to 3.2 mm. Material: 6.6 nylon.

Composition: 100 units.

Reference by unit. Order by multiples of 100 (100, 200, 300...).

Drill-hole Ø, mm	Max. panel thickness, mm	Figure	Reference
6	3.2	1	NSYSFC1

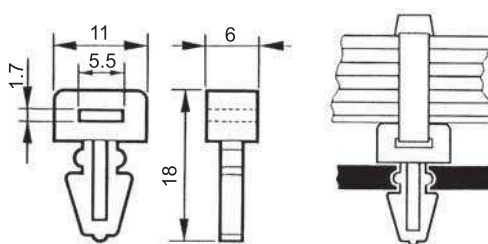


Fig. 1

Cable management

Cable holding



Cable-tie fixing support

For the installation of one or two cable-ties with a single screw. Material: 6.6 nylon. Compatible with the entire range of cable ties.

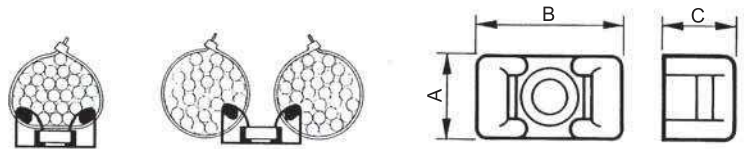


Composition: 100 units.



Reference by unit. Order by multiples of 100 (100, 200, 300...).

A	B	C	Fixing screw	Acceptable cable-tie width	Reference
12	18	9	M4	2.5 + 4.8	NSYKR6
14.5	25	12	M6	2.5 + 7.6	NSYKR8



Self-adhesive support bases

- Material: colourless 6/6 polyamide.



Composition: 100 units.



Reference by unit. Order by multiples of 100 (100, 200, 300...).

H (mm)	W (mm)	D (mm)	Fixing screws	Reference
6	19	19	3.6	NSYMB3A
8	26.5	26.5	4.8	NSYMB4A



NSYMB3A/
NSYMB4A

Cable management

Cable distribution



Corrugated cable-gland tube

- Corrugated tube allowing cables to pass between the structure and the door.
- Free from halogens and heavy metals.
- UV protection.
- Material: low-density polyethylene (LDPE), black.



Supply: one 25-m reel.

Nominal diameter (mm)	Inner Ø (mm)	Outer Ø (mm)	Reference
17	16.6	21.2	NSYCPT17
29	29	34.5	NSYCPT29
37	36	42.4	NSYCPT37
50	47.7	54.5	NSYCPT50



Fixing support for corrugated tube

- Fixing support for the corrugated tube, offering the following mounting options:
 - Directly on the enclosure.
 - On a swing 19" rack and/or cross rails, by means of a fixing point.
- The supports can be joined together to form sets of tubes, allowing better cable distribution.
- The support includes the base.
- It allows the tube to rotate once it has been fixed to the support and prevents the removal of the corrugated tube subject to a pulling force.
- Material: polyamide (PA), black.



Supply: ten units and fixing elements.



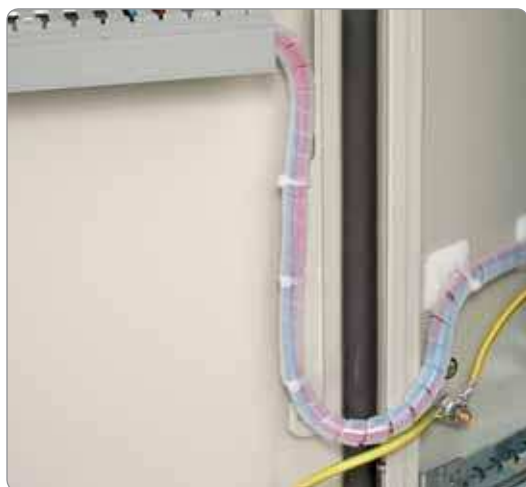
Reference by unit. Order by multiples of 10 (10, 20, 30...).

Model n Ø	Reference
17	NSYCPTS17
29	NSYCPTS29
37	NSYCPTS37
50	NSYCPTS50

n Ø = nominal diameter.



Cable management



Cable-gland for body/door

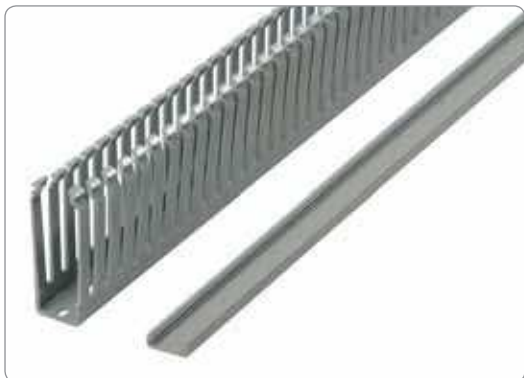
- Spiral strip for bundling cables.
- Allows cables to enter between the body and the door.



Supply: one 50-m reel.

Colour	Tightening range (mm)	Inner Ø (mm)	Outer Ø (mm)	Reference
Colourless	12 to 100	9	12	NSYTC12100

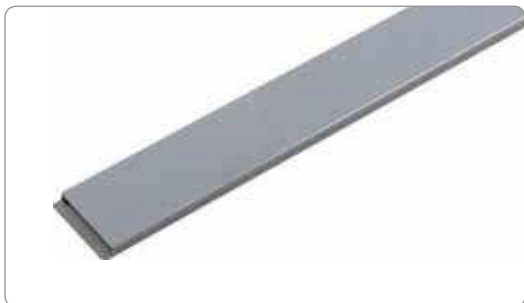
Cable management



Cable ducts with cover

- Rigid PVC material; with lateral through slots and rear perforations. Supplied in lengths of 2 m. RAL-7030 grey colour.
- Compliance with standards VDE 0660/506 and DIN 43659.
- Temperature resistance: -5 ... +60 °C.
- Behaviour in fire: material V0 according to UL 94.
- Fire resistance: 960 °C according to IEC 60695-2-1/1.
- Maximum capacity of H07.V.K 1.5-mm² flexible wire (filling factor: 0.6).

Dimensions (mm)			Composition (m)	Reference
Width	Height	Maximum capacity		
25	25	25	48	NSYCD2M2525
25	50	65	48	NSYCD2M2550
37.5	50	110	24	NSYCD2M3750
37.5	75	160	24	NSYCD2M3755
50	50	160	24	NSYCD2M5050
50	75	240	24	NSYCD2M5075
75	25	110	48	NSYCD2M7525
75	50	250	24	NSYCD2M7550
75	75	400	24	NSYCD2M7575
100	75	550	12	NSYCD2M10075
125	75	700	12	NSYCD2M12575



Covers for cable duct


- Replacement covers.
- Supplied in lengths of 2 m.

For cable duct	Composition (m)	Reference
25	48	NSYCDC2M25
37.5	24	NSYCDC2M37
50	24	NSYCDC2M50
75	24	NSYCDC2M75
100	12	NSYCDC2M100
125	12	NSYCDC2M125



Retention bars

- Fixed between 2 cable-duct slats by a hinged screw, preventing cable dropout.
- They can be cut to length to adapt to the width of the ducting.
- Material: flameproof high-impact polystyrene.

 Supply: 50 units.

 Reference by unit. Order by multiples of 50 (50, 100, 150...).

Reference
NSYCDB



For ranges
SF, SM, S3D, CRN,
PLA, S3X, SFX, SDX

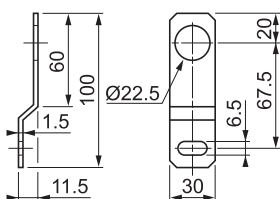
Ø 22-mm cable-duct support

- Installed on the door of the wall-mounting or floor-standing enclosure associated with Ø 22-mm elements.
- Material: treated steel.

Supply: 10 units.

Reference by unit. Order by multiples of 10 (10, 20, 30...).

Reference
NSYSPCP



For ranges
SF, SM, SFX, SMX,
SD, SDX, PLA

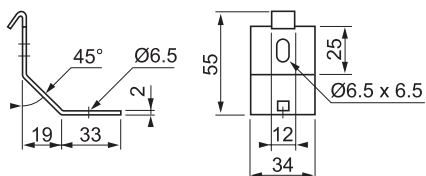
Ducting support on technical upright

- Allows cable ducts to be installed on technical uprights, while increasing the usable surface of the equipment (up to 20% according to the width of the cable duct).
- Material: galvanised steel.

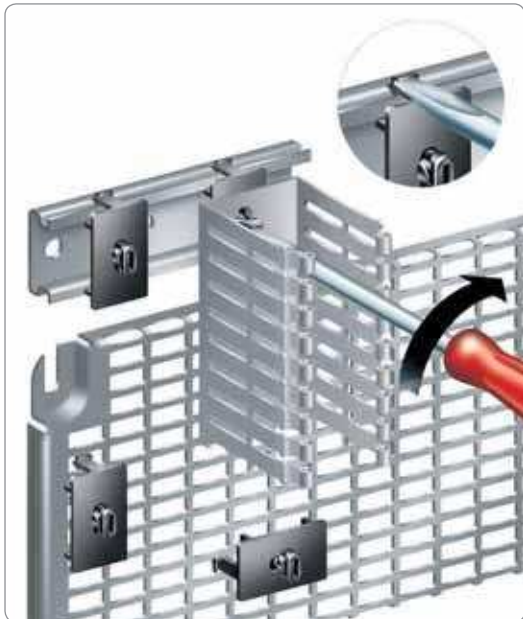
Supply: 10 units.

Reference by unit. Order by multiples of 10 (10, 20, 30...).

Reference
NSYCDS



Cable management



Plastic foot for cable-duct support

- Clips onto the Telequick mounting plate or the 35-mm DIN rail.
- Includes a bolt for fixing the cable ducts through the 6.5 × 14-mm drill holes made in the back.
- The 2 functions, clipping and bolting, provide considerable time savings.
- Material: black polyamide. Behaviour in fire: V0 according to UL 94.
- Respects electrical insulation.



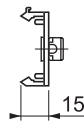
Supply: 20 units.



Reference by unit. Order by multiples of 20 (40, 20, 60...).

Reference

NSYSPC



Label frame

- In transparent plastic, clipping onto the slats of the cable ducts. Paper labels supplied.
- Material: polycarbonate.



Supply: 50 units.



Reference by unit. Order by multiples of 50 (50, 100, 150...).

Reference

NSYCDL



Insulated-head screw

- M5 × 10-mm slotted hexagonal head.
- Respects electrical insulation.



Supply: 100 units.



Reference by unit. Order by multiples of 100 (100, 200, 300...).

Reference

NSYSM10M5HP



Lyre-shaped clamps

- Clip-on clamps designed for direct installation on the 19" racks and Telequick mounting plates.



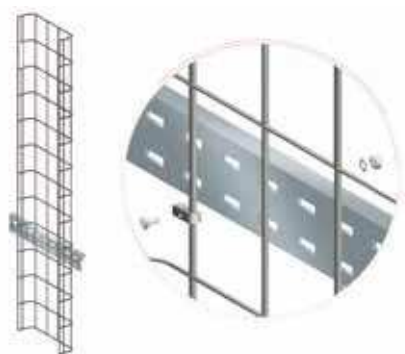
Supply: 10 units.



Reference by unit. Order by multiples of 10 (10, 20, 30...).

Reference

NSYGCR



Steel wired cable tray

- Mounting on the cable supports.
- Made from zinc-coated steel wire.
- Dimensions (2 types):
 - 1845 × 200 × 35 mm.
 - 1845 × 200 × 54 mm.



Supply: 1 vertical steel wired cable tray and fixing elements.

Necessary depth (mm)	Reference
35	NSYBPC3
70	NSYBPC5

Accessories



Lighting and power socket

7/125

Electrical power distribution rails

7/125

Neon lamp E27 bulb base

7/126

Neon lamp

7/127

Ultra-flat lamp

7/128

Lamp for 1U 19" rack

7/128

Incandescent lamp

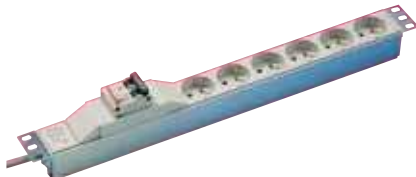
7/128

Lighting and power socket

Current distribution accessories



NSYAPU19F9



NSYAPU19F6CB



NSYAPU19F8S



NSYAPU19F7FA

Electrical power distribution rails

- Sockets positioned at 35°, 2P + E, AC 250 V 16 A/3680 W with child protection.
- UTE version according to NFC61314, IEC60884 and NBNC61112-1 standards.
- VDE version according to DIN49 440, VDE0620-1, IEC60884 and UNE20315 standards.
- Anodised-aluminium rail with a height of 1 U.
- Direct fixing to the 19" rack or framework uprights by stainless-steel brackets, supplied.
- Material: fibreglass polyamide plastic with fire resistance to 850 °C.
- 3-m power cord (3 × 1.5 mm²) type H05 VVF, equipped with an overmoulded 2P + E, 250 V, 10/16 A plug according to VDE0620-1, IEC60884, UNE20315 and NBNC61-112-1 standards.

Number of sockets	Width (mm)	Depth (mm)	Type	UTE	VDE
3	10"	44	A	NSYAPU10F3	NSYAPU10S3
3	10"	44	B	NSYAPU10F3S	NSYAPU10S3S
9	19"	44	A	NSYAPU19F9	NSYAPU19S9
8	19"	44	B	NSYAPU19F8S	NSYAPU19S8S
6	19"	76	C	NSYAPU19F6CB	NSYAPU19S6CB
7	19"	44	D	NSYAPU19F7FA	NSYAPU19S7FA
6	19"	44	E	NSYAPU19F6FT	NSYAPU19S6FT
6	19"	76	F	NSYAPU19F6F	NSYAPU19S6F
7	704	44	B	NSYAPUF7S	NSYAPUS7S
10	968	44	B	NSYAPUF10S	NSYAPUS10S
12	1232	76	C	NSYAPUF12CB	NSYAPUS12CB

- A: Rail of sockets without protection.
- B: Rail of sockets with recessed green LED switch.
- C: Rail of sockets with bi-polar magnetothermal circuit-breaker C16 type C60N 16 A curve C.
- D: Suppression filter for interferences of up to 30 MHz, nominal frequency 400 Hz, attenuation 20 dB per decade.
- E: Interference suppression filter and surge arrester, 6.5 kA short-circuit protection, protection level Up 1.5 kV, voltage test Uoc 5 kV Uc 255 V, 50 Hz. Operating LED, interferences of 30 MHz, nominal frequency 400 Hz, attenuation 20 dB per decade.
- F: Differential protection 30 mA, 2 poles 25 A NC type.



NSYAPUB



NSYAPUBV

Fixing brackets

- For vertical assembly of distribution rails.
- Batch of 2 brackets, adaptable to all rails, delivered with fixings.
- Material: treated steel, thickness 10/10 mm.
- Fixing to the ends of the rail: reference **NSYAPUBV**.
- Fixing with an orientation of 90°: reference **NSYAPUB**.

Fixing	Reference
Orientation of 90°	NSYAPUB
Ends of the rail	NSYAPUBV



NSYLAMDP



NSYLAMIN



NSYLAMPO

Neon lamp with E27 bulb base

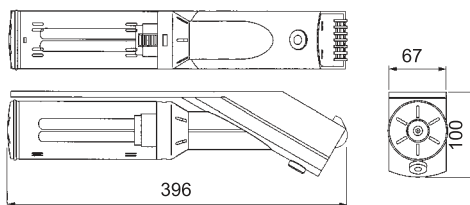
- Available in three versions:
 - With motion sensor.
 - With On-Off switch.
 - Portable lamp with simple support, power cord and plugs.
- The references **NSYLAMDP** and **NSYLAMIN** allows the connection terminal for serial connection of a door switch and another lamp.

Designation	Reference	Fixation
Lamp with motion sensor	NSYLAMDP	Screws or magnetic*
Lamp with on/off switch	NSYLAMIN	
Portable lamp	NSYLAMPO	Adhesive

* It is impossible to fix it magnetically in stainless steel enclosures.

Technical characteristics

- Power consumption: 20 W.
- Voltage: 220 V / 50 – 60 Hz.
- Luminosity: 1000 Lm.
- Service life: 10000 h.
- Switch: Movement detector PIR, 3 min. lasting aprox.
- Connection: 4-pole screw connector 2.5 mm² (torque 0.5 Nm max.).
- Casing: Plastic according to UL94 V-0, light grey.
- Weight: Approx. 0.60 kg.
- Fitting position: Variable.
- Operating/Storage temperature: –20 to +50 °C (–4 to +122 °F) / –45 to +70 °C (–49 to +158 °F).
- Protection type/Protection class: IP20 / II (double insulated).
- According with the standard: IEC 55014 and IEC 50082-1.



Accessories

- Separate power cord for ref. **NSYLAMDP** and **NSYLAMIN**.

Description	Reference
Power cord (1)	NSYCLAM

(1) Cord length: 2 m.



Neon lamp

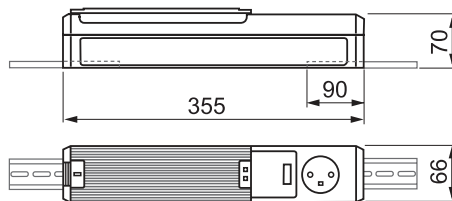
- Compact neon lamp, low consumption with switch and power socket.
- Magnetic fixing* or on a 35 mm DIN rail (non supply).
- Delivered with a protective glass.

* It is impossible to fix it magnetically in stainless steel enclosures.

Type of power socket	Luminosity	Power consumption	Voltage	Reference
UTE (16 A)	900 Lm	11 W	220/50 Hz	NSYLAM75UTE
VDE	900 Lm	11 W	220/50 Hz	NSYLAM75
BS (British Standard)	900 Lm	11 W	220/50 Hz	NSYLAM75BS
UL-CSA	700 Lm	9 W	115/60 Hz	NSYLAM75120
None	900 Lm	11 W	220/50 Hz	NSYLAC75

Technical characteristics

- Service life: 5000 h.
- Switch: Integrated.
- Connection: 3-pole screw connector 2.5 mm² (torque 0.5 Nm max.).
- Casing: Plastic light grey.
- Dimensions: 355 × 65 × 70 mm.
- Weight: Aprox. 1.0 kg.
- Fitting position: Variable.
- Operating/Storage temperature: -20 to +50 °C (-4 to +122 °F) / -45 to +70 °C (-49 to +158 °F).
- Protection type/Protection class: IP20.





Ultra-flat lamp

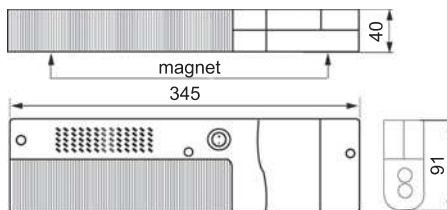
- Plain and compact lamp of low consumption with 2G7 socket.
- Magnetic fixing* or by screw M5 (non supply).

* It is impossible to fix it magnetically in stainless steel enclosures.

Designation	Socket	Reference
Ultra flat lamp VDE	SCHUKO	NSYLAMS75
Ultra flat lamp UTE	-	NSYLAMS75UTE
Ultra flat lamp VDE	-	NSYLAMX75

Technical characteristics

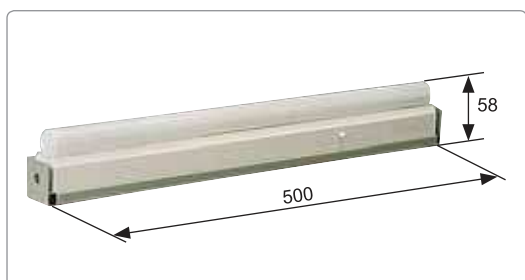
- Power consumption: 11 W.
- Voltage: 220 V / 50 – 60 Hz.
- Luminosity: 900 Lm.
- Service life: 10000 h.
- Switch: Integrated.
- Connection: Screw connector 2.5 mm² (torque 0.8 Nm max.).
- Casing: Plastic according to UL94 V-0, light grey.
- Dimensions: 345 × 91 × 40 mm.
- Fitting position: Narrow surface/broad surface.
- Operating/Storage temperature: -20 to +50 °C (-4 to +122 °F) / -45 to +70 °C (-49 to +158 °F).
- Protection type/Protection class: IP20.



Lamp for 1 U 19" rack

- Compact neon lamp 11 W, 220 V/50 Hz with switch and power socket.
- Delivered with the fixings required for installation.
- Fixing on the 19" rack.

Type of socket	Reference
UTE	NSYLAM1UF
VDE	NSYLAM1US



Incandescent lamp

Incandescent lamp specifically designed for use in electrical enclosures.

- Connection voltage: 220 V/50-60 Hz.
- Consumption: 60 W.
- On/off switch.
- Input connection terminal.

Reference
NSYLAJOL68

Accessories



Door accessories

7/130

Plastic and metal document pocket

7/130

Folding support tray

7/131

Door retainer

7/132

Door holding system

7/133

Door switch

7/134

Window for modular equipment IP 65

7/135

Plastic window IP 65

7/136

Acrylic window IP 65

7/137

Control protection frame IP 54

7/137

7

Door accessories



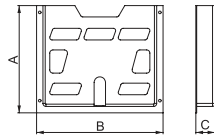
Plastic document pocket

- Fixing by adhesive tape.
- Formats: A5 and A4.
- Material: polystyrene (PS), RAL-7035 grey.



Supply: 1 plastic document pocket.

Document format (mm)	A	B	C	Reference
A5	174	188	22	NSYDPA5
A4	234	278	22	NSYDPA4
A4	234	278	40	NSYDPA44
A3	258	476	35	NSYDPA3



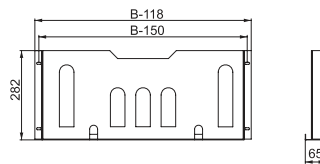
Metal document pocket

- Direct fixing on the door reinforcement frame.
- Height adjustable in steps of 25 mm.
- Material: steel.
- Finish: painted with epoxy-polyester resin, RAL-7035 grey.

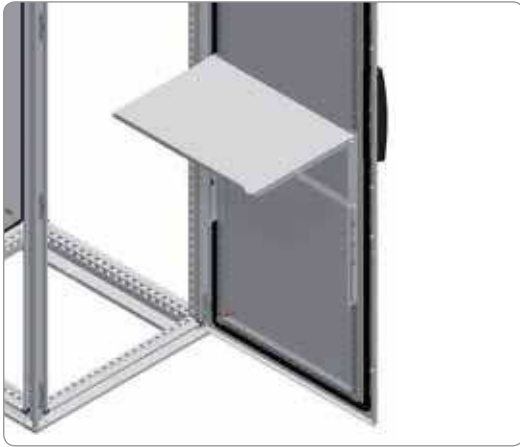


Supply: 1 metal document pocket and fixing elements.

Enclosure dimensions (mm)	Reference
Width (B)	
600	NSYDP6M
800	NSYDP8M



[For ranges SF, SM, SFX, SMX]



Folding support tray

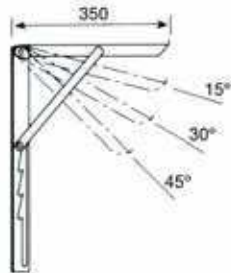
- Adjustable horizontal support for laptop computers, documents or any other elements.
- Mounting on the door reinforcement frame.
- It can also be mounted on door cross-rails, see page 7/28.
- Height adjustable in steps of 25 mm.
- In 1000-mm-wide enclosures, any size can be mounted using door cross-rail ref. **NSYSDCR10**.
- 4 positions: 45°, 60°, 75° and 90°.
- Material: steel.
- Thickness: 1.5 mm.
- Finish: painted with polyester-epoxy resin, RAL-7035 grey.
- Maximum load: 30 kg.



Supply: 1 folding support tray and fixing elements.



Spacial dimensions (mm)	Reference
Width	
500	NSYSDT5
600	NSYSDT6
800	NSYSDT8



[For ranges
SF, SM, SFX, SMX]

Door accessories



[For ranges
SF, SM]

Door retainer

- Door blocker at the opening limit.
- It is fixed directly to the front frame of the enclosure and to the reinforcement frame of the door.
- It can be installed on doors that open both to the right and to the left.
- 2 versions:
 - Mechanical door stop, limit 105°.
 - Pneumatic door stop, limit 120°.



Supply: door stop and fixing elements.

Door stop model	Reference	For enclosures
Mechanical	NSYSFMDR	Spacial SF
	NSYSMDR	Spacial SM
Pneumatic	NSYSFNDR	Spacial SF
	NSYSMNDR	Spacial SM



[For ranges
S3D, CRN, CRNG]

Steel door retainer

For blocking the door at the end of its travel.

- It is installed on enclosures with heights from 400 mm and widths from 300 mm.
- Earthing connection of the enclosure by means of the reinforcement rail.
- Earthing accessories supplied with the enclosure (earth-connection wire to be ordered separately), see page 7/139.
- Warning: cannot be installed on 19" mounting plates or on enclosures equipped with internal door.

Description	Reference
Steel door retainer for Spacial wall-mounting steel enclosure	NSYAEDRSCST



[For ranges
S3D, CRNG]

Door-holding system

To hold the door open while working on the enclosure.

- It is installed on the perforated rails of the enclosure doors at the required height.
- Material: polyamide 6 (PA6).
- It is only installed on enclosures with a height of less than 400 mm (no perforated rails).
- It cannot be installed in the Spacial CRN enclosures.

Description	Reference
Door-holding system for Spacial wall-mounting steel enclosure	NSYAEDRS3DPA6



See also
the accessories

Support for cable ducting
with diameter 22
page 7/121

Door cable-guide
cross-rail
page 7/115

Door accessories



Door switch for floor-standing enclosures

- The switch is fixed to the structure of the enclosure.
- Drilled M20 cable entry for cable gland.
- NC + NO contact, 10 A/500 V.



Supply: 1 door switch and fixing elements.

Reference	For ranges
NSYDCM20	SF - SFX
NSYMDCM20	SM
NSYSNLPLA	PLA



Door switch for wall-mounting enclosures

- Switch/commutator unit equipped with support and fixings for direct fixing to the enclosure.
- Can be used to control lighting, air-conditioning units, etc.
- It is not compatible with installing the 19" swing rack and the internal door.
- NC + NO contact, 10 A/500 V.



Supply: 1 door switch and fixing elements.

[For ranges
CRN, S3D, S3X]

Reference
NSYINLCRN

Door accessories

Window for modular equipment, IP 65

They provide viewing and access to the inside of the enclosure while keeping the IP 65 protection degree. Made from transparent polycarbonate.



Supply: 1 window.



Fig. 1



Fig. 2

N.° of modules	Fig. n.°	A	B	C		Reference	
				Low cover	High cover	Low cover	High cover
2	1	78	60	15	25	NSYVA272M	NSYVA272MA
4	1	78	95	15	25	NSYVA274M	NSYVA274MA
6	1	78	130	15	25	NSYVA276M	NSYVA276MA
8	1	78	165	15	25	NSYVA278M	NSYVA278MA
10	1	78	200	15	25	NSYVA2710M	NSYVA2710MA
12	1	78	235	15	25	NSYVA2712M	NSYVA2712MA
16	2	195	165	13	-	NSYVA2716M	-
24*	2	196	235	13	-	NSYVA2724M	-
36*	2	248	235	13	-	NSYVA2736M	-
51**	2	248	325	13	-	NSYVA2751M	-

* In rows of 12 modules mounted vertically.

** In rows of 17 modules mounted horizontally.

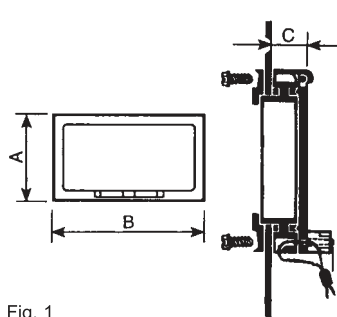


Fig. 1

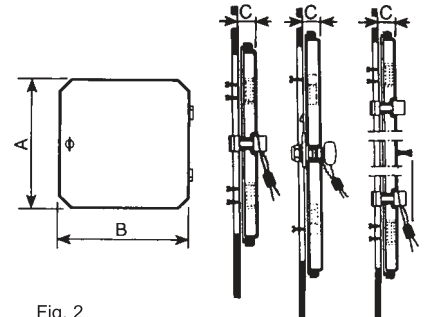


Fig. 2



Plastic window IP 55

- Plastic window with hinged cover for installation on front panel, IP 55.
- Polycarbonate cover and PVC body.
- External dimensions: 213 × 133 mm.
- Internal dimensions of the window: 180 × 78 mm.
- Delivered with a drilling template.



Composition: 1 plastic window.

Reference

NSYMW10M



Modular front panel with IP 55 sealed window

- Frame with transparent hinged cover for mounting modular switchgear on the front panel.
- Opening: 46 × 180 mm (10 modules).



Composition: 1 modular front panel.

Reference

NSYMW10MK



Kit for fixing the switchgear

- The fixing kit includes a DIN rail and its two supports.
- The unit is delivered assembled.



Composition: 1 DIN rail and two supports.

Reference

NSYMW10MR



Mounting example:
NSYMW10MK + NSYMW10MR

Door accessories

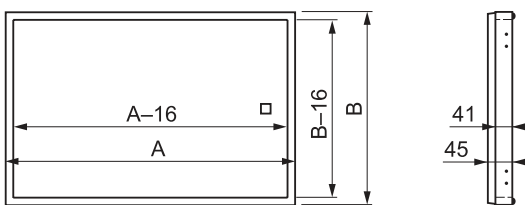


Acrylic window IP 55

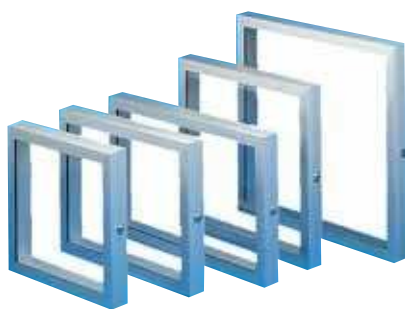
- Transparent acrylic window, hinged, with gasket for installation on front panel. IP 55.
- Closure by lock with key n° 1242 E (2 locks for the height of 800 mm).
- Delivered with 2 hinges (3 for the height of 800 mm) and the fixings required for installation.
- Does not filter out UV.



Composition: 1 acrylic window, hinges, fixings and drilling template.



Acrylic window (mm)			Reference
A	B	Depth	
400	200	45	NSYAW24
400	400	45	NSYAW44
400	500	45	NSYAW54
400	600	45	NSYAW64
400	800	45	NSYAW84
500	200	45	NSYAW25
500	400	45	NSYAW45
500	500	45	NSYAW55
500	600	45	NSYAW65
500	800	45	NSYAW85
600	200	45	NSYAW26
600	400	45	NSYAW46
600	500	45	NSYAW56
600	600	45	NSYAW66
600	800	45	NSYAW86

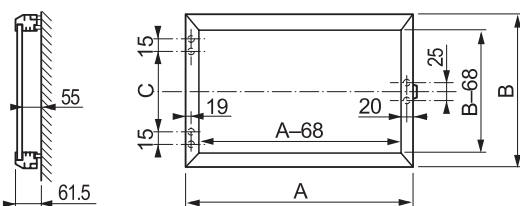


Control protection frame IP 54

- To prevent accidental handling of the control units by any unauthorised person.
- Allows all the displayed information to be read without opening the door.
- Construction: aluminium frame and Altuglas viewing window.
- Equipped with hinges for opening.
- Closure by a n° 1242 E lock, type 911 B Ronis.



Composition: 1 frame with window, hinges, fixings and drilling template.



Door window (mm)			Reference
A	B	C	
400	400	220	NSYMA44
500	400	220	NSYMA45
600	400	220	NSYMA46
800	400	220	NSYMA48
500	500	320	NSYMA55
500	600	420	NSYMA56
600	500	320	NSYMA65
800	500	320	NSYMA58
600	600	420	NSYMA66

Accessories



Earthing accessories

7/139



Floor accessories

7/142



Paint accessories


7/144


Earthing accessories



Earth braids

- They guarantee the earth connection for high frequencies, avoiding the disturbing electric currents that are produced.
- Material: tinned copper.

 Supply: 10 earth braids (nuts and washers not included).


 Reference by unit. Order by multiples of 10 (10, 20, 30...).


Length (mm)	Width (mm)	Section (mm ²)	Terminal Ø (mm)	Reference
150	12	6	6.5	NSYEB156D6
150	17	10	6.5	NSYEB1510D6
155	17	16	8.5	NSYEB1516D8
200	27	25	8.5	NSYEB2025D8
200	33	50	8.5	NSYEB2050D8



Earth cables

- They make it easier to install a safe earth connection, with a perfect contact, with optimised length.
- Material: brass and copper alloy terminal, green and yellow PVC insulating sheath.

 Supply: 10 earth cables (nuts and washers not included).

 Reference by unit. Order by multiples of 10 (10, 20, 30...).

Length (mm)	Section (mm ²)	Terminal Ø (mm)	Reference
130	6	6.4	NSYEL136D6
160	6	6.4	NSYEL166D6
160	6	8.3	NSYEL166D8
170	10	6.4	NSYEL1710D6
220	6	6.4	NSYEL226D6
220	25	8.3	NSYEL2225D8
250	10	6.4	NSYEL2510D6
350	25	8.3	NSYEL3525D8

Earthing accessories



Earthing strip

- 15 × 3-mm perforated brass bar.
- 1 m long.
- 87 connection points, M5 drill holes.



Composition: 1 earthing strip and fixing elements.

Reference

NSYECB1M153



Central earthing point

- Connects earthing braids and cables to the structure of the enclosure.
- Fixing to the structure by means of self-tapping screws.
- The earth connection is made by means of the M8 × 18-mm bolt.



Supply: 1 central earthing point, elements for fixing to the structure, and fixings for fixing to the bolt.

Reference

NSYCEP

[For ranges
SF, SM, SFX,
SMX, SD, SDX]

Earthing accessories



NSYEDCOS

[For ranges
S3D, S3X, CRN]

Fixing lugs for the earthing strip

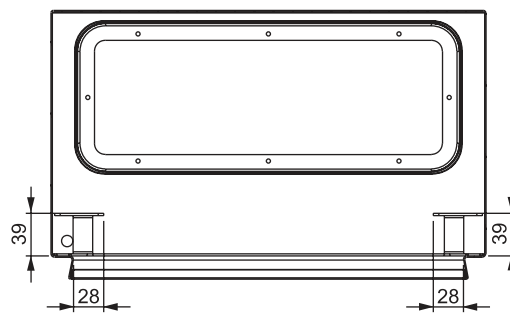
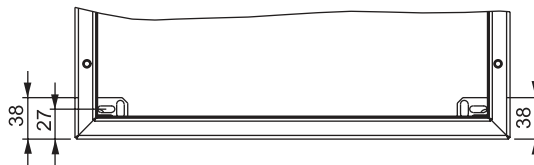
- They allow the mounting of an earth-collector rail or a DIN rail at the top and bottom of an enclosure.
- Fixing on holes made in the gutter of the enclosure.
- Mounting incompatible with certain accessories. Please consult us.
- Earthing strip, page 7/137.



Composition: 2 lugs and fixings.

Reference

NSYEDCOS





For ranges
SF, SM, SD

Transport casters

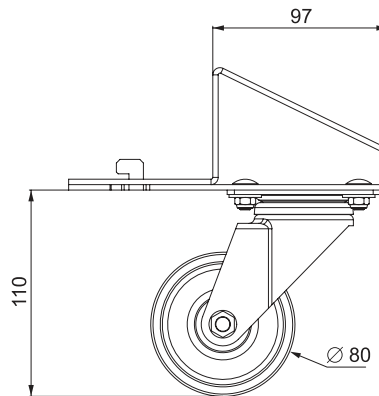
- Set of 4 casters, 2 with a blocking system.
- Quick installation on plinths with heights of 100 and 200 mm, except the plinth for enclosure sets.
- They can be installed in front or side position.
- Clipping and fixing to the corner by screws.
- Maximum load: 100 kg per castor.
- For use on flat surfaces.
- Height: 110 mm.



Supply: 4 transport casters (2 with a blocking system) and fixing elements.

Reference

NSYSTW



For ranges
SF, SM, SD,
SDX, SFX, SMX

Enclosure casters

- Set of 4 casters.
- Double casters.
- Maximum load: 160 kg per castor.
- Height: 92 mm.
- Diameter: 64 mm.



Supply: 4 casters and fixing elements.

Reference

NSYSW



Fixed feet.



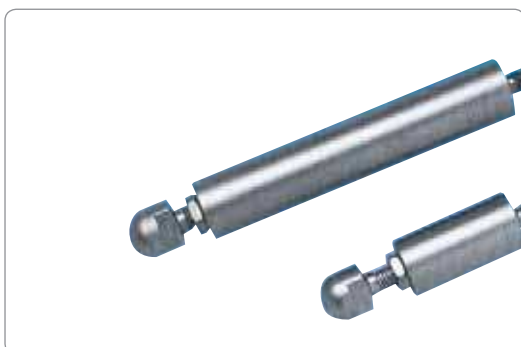
Adjustable feet.

For ranges
SF, SM, SFX,
SMX, SD, SDX

Levelling feet (fixed and adjustable)

- Set of 4 floor feet.
- 2 models:
 - Fixed: height 42 mm.
 - Adjustable: height 22 mm.
- Material: steel.
- Adjustable: height 22 mm.
- Maximum load: 100 kg per foot.

Levelling feet	
Model	Reference
Fixed feet	NSYSPSJ
Adjustable feet	NSYSPRJ



For ranges
SF, SM, SFX,
SMX, SD, SDX

Hygienic stainless-steel feet

- Set of 4 hygienic feet, made from 316L stainless steel, specific for harsh environments.
- Models:
 - Height: 100 mm.
 - Height: 200 mm.
- Height adjustment: 20 mm.
- Maximum load: 100 kg per foot.



Supply: 4 feet.

316L stainless-steel hygienic feet	
Model with height (mm)	Reference
100	NSYPHX100
200	NSYPHX200



For ranges
SM, SF, SD,
CRN, S3D, SDB

Aerosol paint can

- Air-drying paint.
- Content: 150 g.
- Colours: RAL 7035 and RAL 7032.

RAL	Reference
7032	NSYBPA7032
7035	NSYBPA7035



For ranges
SM, SF, SD,
CRN, S3D, SDB

Paint touch-up

- Paint for touching up with a brush.
- Air-drying.
- Colours: RAL 7035 and RAL 7032.

RAL	Reference
7032	NSYTUP7032
7035	NSYTUP7035