



PC

e NUX

PC SOLUTIONS

FEATURES

ETA offer for PC solutions includes PC enclosures with sliding shelf on E NUX structure, assembled or in flat-pack version, with a modular front based on your specific requirements.



The PC cabinet with Pull-out Keyboard is available assembled or in flat-pack version.

ASSEMBLED VERSION

E NUX cabinet structure complete with high-strength low-alloy sheet steel uprights and bottom, roof and rear panel manufactured from sheet steel.

The front section is composed by:

- plexi upper door for monitor vision
- pull-out Keyboard with tilting front, complete with adjustable mouse pad
- sealed section to separate keyboard compartment/ enclosure, complete with: cable gland for keyboard and mouse, bi-adhesive tape for keyboard installation and monitor support
- lower blank front door.

FLAT-PACK VERSION

A pair of high-strength low-alloy sheet steel front uprights. Roof manufactured from sheet steel and high-strength low-alloy sheet steel bottom.

The front section is composed by:

- upper plexi door for monitor vision, upper screwed blank panel or upper hinged blank door.
- pull-out Keyboard or blank panel
- lower hinged blank door.

PAINT FINISH

ETA standard epoxy polyester powder coating:

- structure: colour RAL 7035 smooth finish
- PC front and rear door: colour RAL 7035 textured finish
- roof: colour RAL 5020 textured finish.

PROTECTION RATING

IP55.

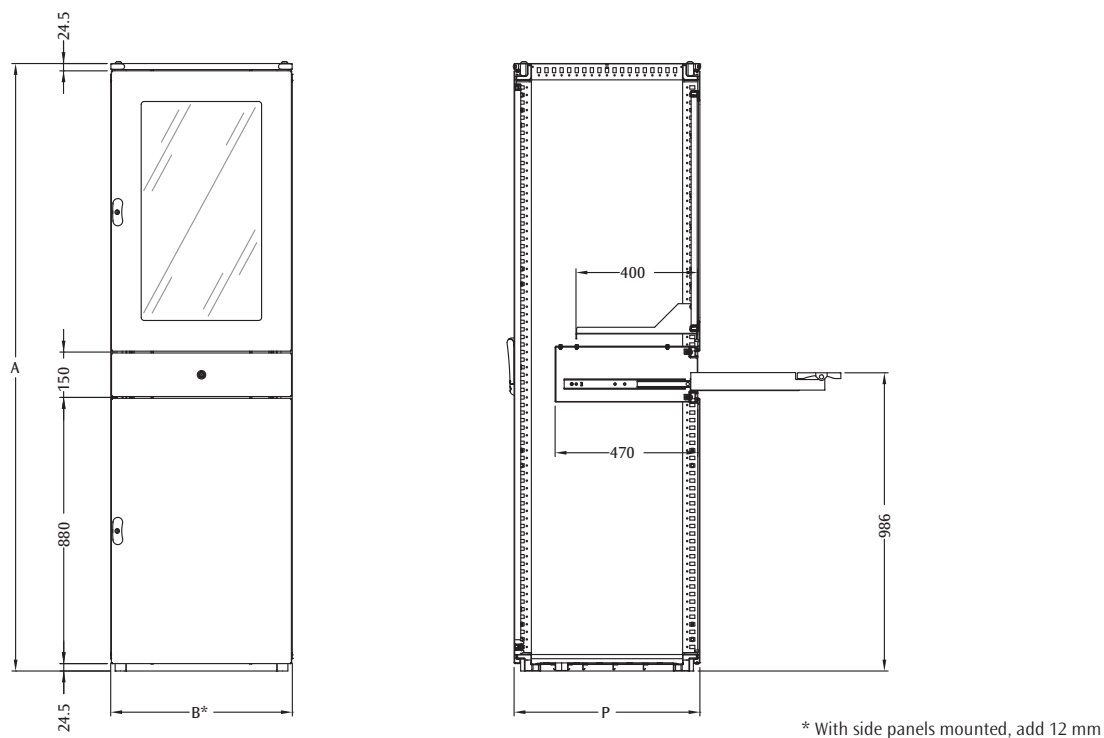
PC



Side panels EUFI, see page 63.



Universal plinth EUZE, see page 65.



DIMENSIONAL SPECIFICATIONS

DIMENSIONS			CABINET DIMENSIONS		
WIDTH	HEIGHT	DEPTH	B*	A	P
600	1800	600	600	1809	614
600	1800	800	600	1809	814
600	2000	600	600	2009	614
600	2000	800	600	2009	814

CODES FOR ASSEMBLED PC ENCLOSURE WITH SLIDING SHELF

DIMENSIONS			E NUX
WIDTH	HEIGHT	DEPTH	CODE
600	1800	600	EUPC061806CEC
600	1800	800	EUPC061808CEC
600	2000	600	EUPC062006CEC
600	2000	800	EUPC062008CEC

CODES FOR FLAT-PACK ENCLOSURE WITH SLIDING SHELF

DIMENSIONS			CABINET STRUCTURE			FRONT PC COMPOSITION OPTIONS			
WIDTH	HEIGHT	DEPTH	TOP + BOTTOM	FRONTAL UPRIGHTS	REAR BLANK DOOR + UPRIGHTS	UPPER PLEXI DOOR (A)	UPPER BLANK DOOR (A)	KEYBOARD (B)	BLANK PANEL (C)
600	1800	600	EUTF060060	EUMT001800	EUPO060180	EUPC180PV	EUPC180PC	EUPC0001CE	EUPC180PN
600	1800	800	EUTF060080	EUMT001800	EUPO060180	EUPC200PV	EUPC200PC	EUPC0001CE	EUPC200PN
600	2000	600	EUTF060060	EUMT002000	EUPO060200	EUPC180PV	EUPC180PC	EUPC0001CE	EUPC180PN
600	2000	800	EUTF060080	EUMT002000	EUPO060200	EUPC200PV	EUPC200PC	EUPC0001CE	EUPC200PN

Note: other options are available as alternative solutions for the upper, central and lower part of the front.

UPPER PLEXI DOOR EUPC - PV

CHARACTERISTICS

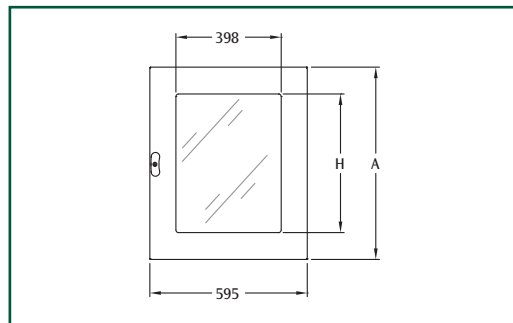
Manufactured from 2.0 mm thick sheet steel with plexi.

PAINT FINISH

Colour: RAL 7035 textured finish.

SUPPLY

Door with internal mounting profile, hinges and mounting accessories.



UPPER PLEXI DOOR			
EUPC CODE	CABINET HEIGHT	A	H
EUPC180PV	1800	727	524
EUPC200PV	2000	927	724

UPPER HINGED BLANK DOOR EUPC - PC

CHARACTERISTICS

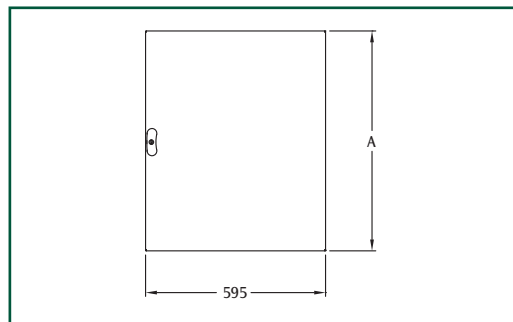
Manufactured from 2.0 mm thick sheet steel.

PAINT FINISH

Colour: RAL 7035 textured finish.

SUPPLY

Door with internal mounting profile, hinges and mounting accessories.



UPPER HINGED BLANK DOOR		
EUPC CODE	CABINET HEIGHT	A
EUPC180PC	1800	727
EUPC200PC	2000	927

UPPER SCREWED BLANK PANEL EUPC - PN

CHARACTERISTICS

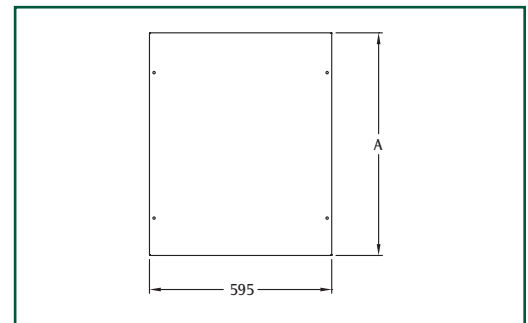
Manufactured from 1.5mm thick sheet steel.

PAINT FINISH

Colour: RAL 7035 textured finish.

SUPPLY

Panel with internal mounting profile and mounting accessories.



UPPER SCREWED BLANK PANEL		
EUPC CODE	CABINET HEIGHT	A
EUPC180PN	1800	727
EUPC200PN	2000	927

PULL-OUT KEYBOARD EUPC001CE

CHARACTERISTICS

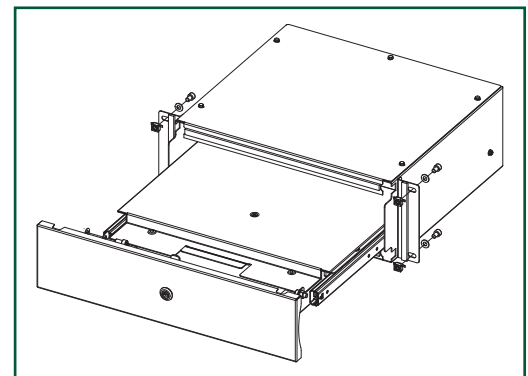
Manufactured from 1.5 mm thick sheet steel.

PAINT FINISH

Colour: RAL 7035 textured finish.

SUPPLY

Keyboard shelf with tilting front, complete with adjustable mouse pad and double bar central closure.



BLANK PANEL EUPC015PN

CHARACTERISTICS

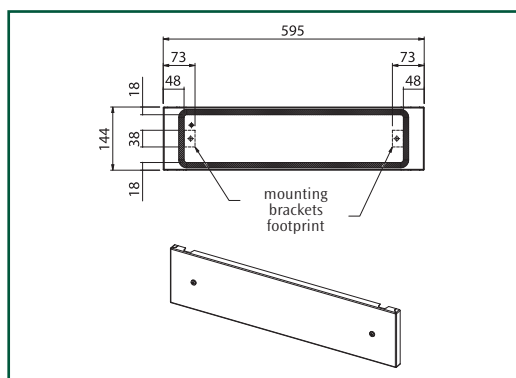
Manufactured from 1.5 mm thick sheet steel.

PAINT FINISH

Colour: RAL 7035 textured finish.

SUPPLY

Blank panel with mounting accessories.



LOWER HINGED BLANK DOOR EUPC - C

CHARACTERISTICS

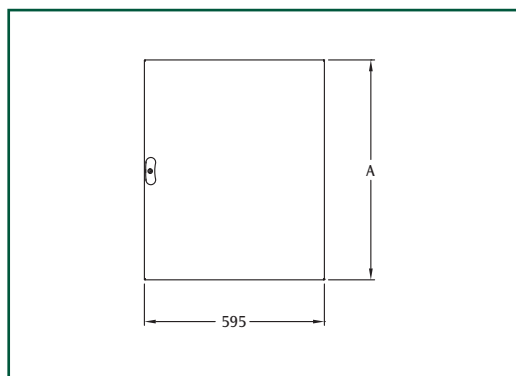
Manufactured from 2.0 mm thick sheet steel.

PAINT FINISH

Colour: RAL 7035 textured finish.

SUPPLY

Door with internal mounting profile, hinges and mounting accessories.



LOWER HINGED BLANK DOOR

EUPC CODE	CABINET HEIGHT	A
EUPC180C	1800	877
EUPC200C	2000	877

STRUCTURAL UPRIGHTS EUMT

CHARACTERISTICS

Manufactured from high-strength low-alloy sheet steel.

PAINT FINISH

Colour: RAL 7035 smooth finish.

SUPPLY

Includes 2 pieces.

STRUCTURAL UPRIGHTS

EUMT CODE	CABINET HEIGHT
EUMT001800	1800
EUMT002000	2000

Note: to be ordered for the flat-pack version. To complete the configuration, you have to add the codes for the blank door EUPO (see page 135) and the codes for the roof/bottom EUTF (see page 135).

SLIDING SHELF WTRS000600

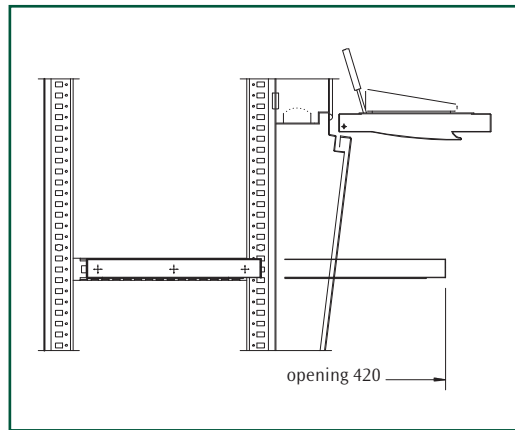
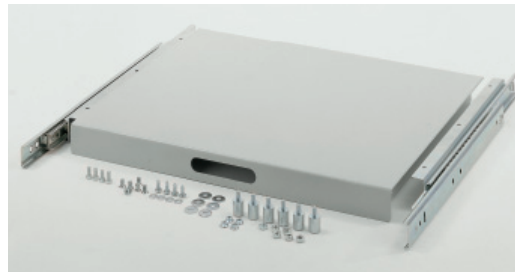
CHARACTERISTICS

Manufactured from 1.5 mm thick sheet steel.
Maximum capacity 30 kgs.

SUPPLY

Single piece with sliding rails.

Note: mounting profiles WTPR (2 pieces for each package) to be ordered separately.



MOUNTING PROFILES FOR WTRS

WTPR CODE	CABINET DEPTH
WTPR050040CP	400
WTPR050050CP	500
WTPR050060CP	600
WTPR050080CP	800

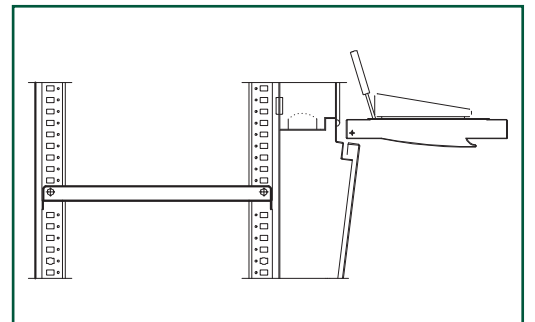
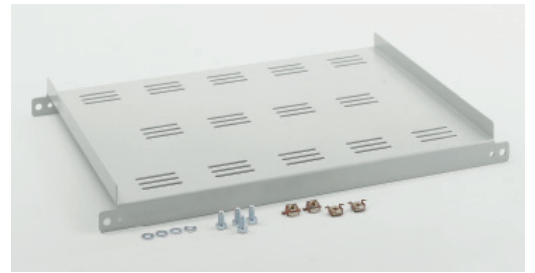
FIXED SHELF WTRP

CHARACTERISTICS

Manufactured from 2.0 mm thick sheet steel.

SUPPLY

Single piece with mounting accessories.



FIXED SHELF

WTRP CODE	CABINET DEPTH
WTRP060050	500
WTRP060060	600
WTRP060080	800

MONITOR SUPPORT WTPU000600

CHARACTERISTICS

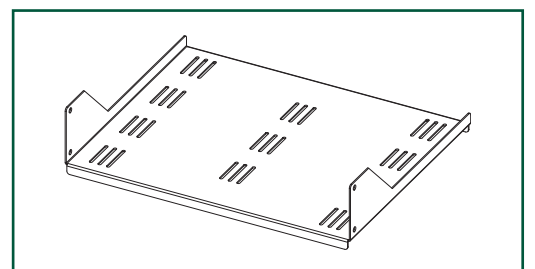
Manufactured from 1.5 mm thick sheet steel.

PAINT FINISH

Colour: RAL 7035 textured finish.

SUPPLY

Support complete with mounting accessories.



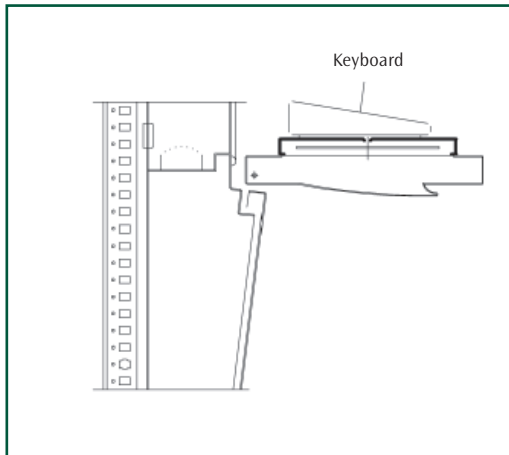
KEYBOARD SHELF WITH MOUSE PAD WTMS001

CHARACTERISTICS

Keyboard shelf manufactured from 1.5 mm thick sheet steel with lateral sliding mouse pad.

SUPPLY

Includes 1 piece with mounting accessories.



Note: maximum keyboard dimensions W 500 x H 55 x D 240.

WHEEL WTRU-001

High quality polyamide wheel. Load capacity 120 kgs for each wheel.

SUPPLY

Includes 4 pieces (2 wheels with brake, 2 rotating wheels).



PC