



CHARACTERISTICS

Enclosure and door manufactured from 1.5 mm thick sheet steel. Mounting plate manufactured from 2.5 mm thick sendzimir sheet steel.

PAINT FINISH

ETA standard epoxy polyester powder coating.
Enclosure and door: colour RAL 7035 textured finish.

SUPPLY

- Box supplied with:
- door provided with locking system with \varnothing 3mm double bar key and 2 zincpassivated rails to be fixed
 - mounting plate
 - cable entry plate with sealing gasket
 - screws for earth connection and mounting accessories.

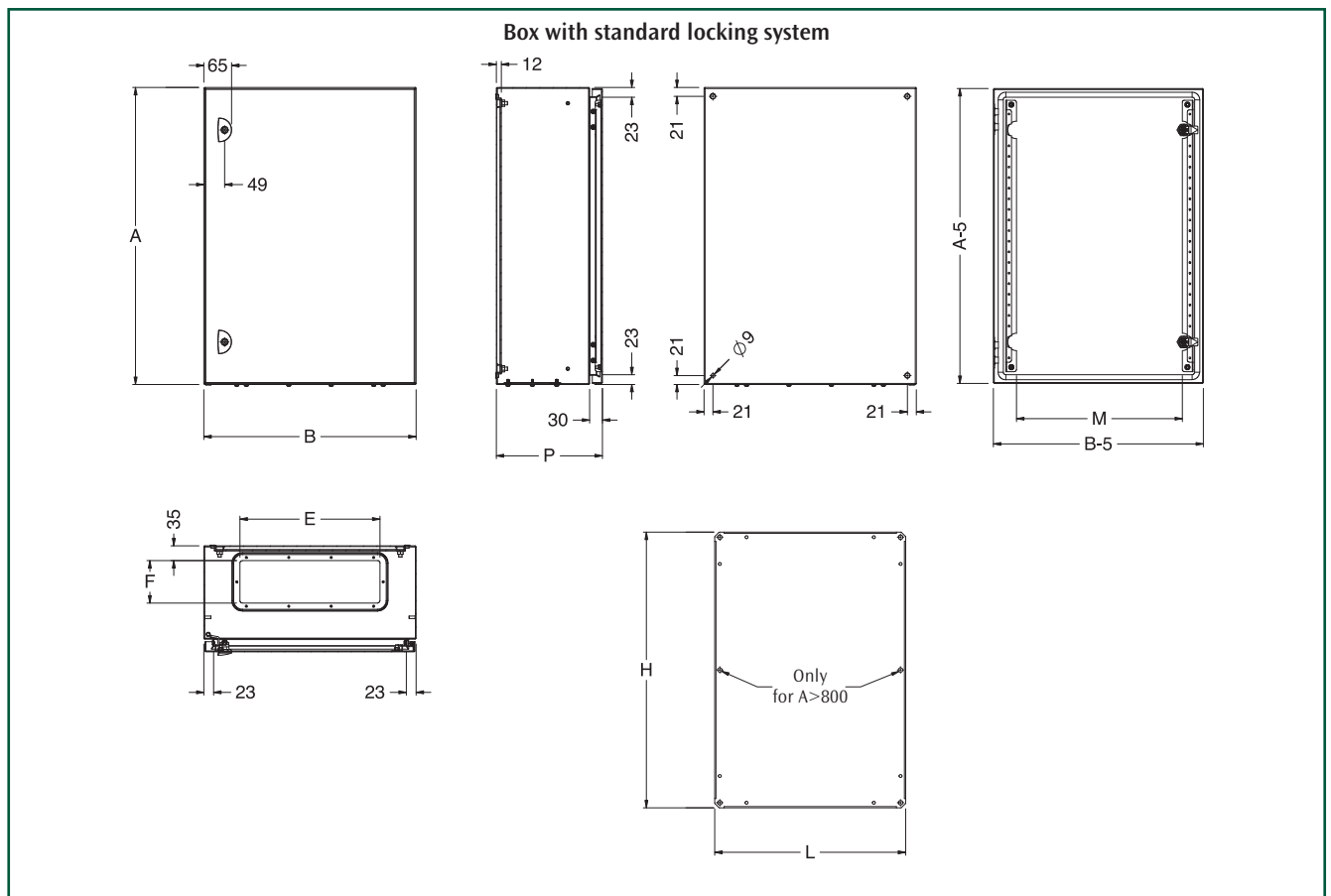
PROTECTION RATING

- IP66 complying with IEC EN62208; EN60529
- NEMA 4 complying with UL508A; UL50
- protection degree guaranteed by the two-component polyurethane foam seal
- impact resistance IK10 complying with IEC EN62208; EN62202.

Note: main accessories to be ordered separately:

- inner door, see page 164
- modular kit, see page 165
- brackets for wall mounting, see page 170.

Boxes

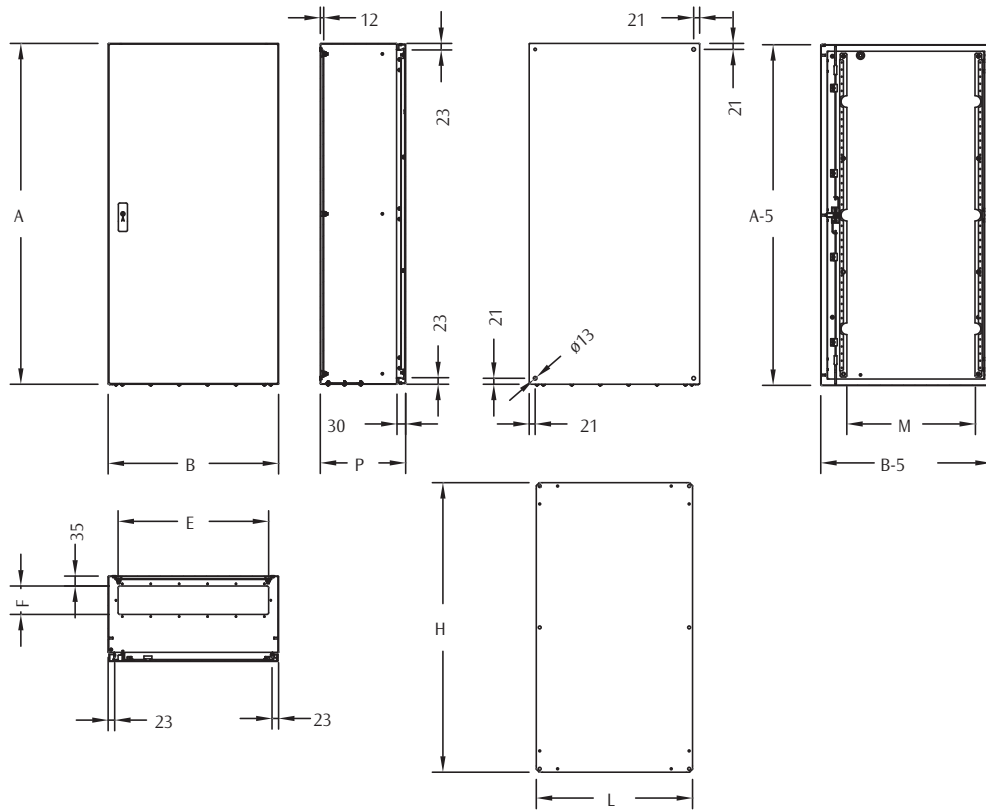


SINGLE DOOR BOX

ST CODE	BOX DIMENSIONS			CABLE ENTRY		DOOR SPACE	MOUNTING PLATE DIM.		NUMBER OF LOCKS
	B	A	P	E	F	M	L	H	
200									
ST2315	200	300	150	130	50	91	150	250	1
300									
ST3315	300	300	150	230	50	191	250	250	1
ST3415	300	400	150	230	50	191	250	350	1
ST3420	300	400	200	230	100	191	250	350	1
ST3515	300	500	150	230	50	191	250	450	1
ST3520	300	500	200	230	100	191	250	450	1
400									
ST4315	400	300	150	230	50	291	350	250	1
ST4320	400	300	200	330	100	291	350	250	1
ST4420	400	400	200	330	100	291	350	350	1
ST4515	400	500	150	230	50	291	350	450	1
ST4520	400	500	200	330	100	291	350	450	1
ST4525	400	500	250	330	100	291	350	450	1
ST4620	400	600	200	330	100	291	350	550	2
ST4625	400	600	250	330	100	291	350	550	2
ST4640	400	600	400	330	100	291	350	550	2
500									
ST5520	500	500	200	330	100	391	450	450	1
ST5720	500	700	200	330	100	391	450	650	2
ST5725	500	700	250	330	100	391	450	650	2
600									
ST6420	600	400	200	530	100	491	550	350	1
ST6430	600	400	300	530	100	491	550	350	1
ST6620	600	600	200	530	100	491	550	550	2
ST6630	600	600	300	530	100	491	550	550	2
ST6640	600	600	400	530	100	491	550	550	2
ST6820	600	800	200	530	100	491	550	750	2
ST6825	600	800	250	530	100	491	550	750	2
ST6830	600	800	300	530	100	491	550	750	2
ST6840	600	800	400	530	100	491	550	750	2
ST61025	600	1000	250	530	100	491	550	950	2
ST61030	600	1000	300	530	100	491	550	950	2
ST61040	600	1000	400	530	100	491	550	950	2
800									
ST8830	800	800	300	530	100	691	750	750	2
ST8840	800	800	400	530	100	691	750	750	2
ST81030	800	1000	300	530	100	691	750	950	2
ST81040	800	1000	400	530	100	691	750	950	2

Boxes

Box with rod system



Boxes

SINGLE DOOR BOX

ST CODE	BOX DIMENSIONS			CABLE ENTRY		DOOR SPACE	MOUNTING PLATE DIM.		TYPE OF LOCKS
	B	A	P	E	F	M	L	H	
600									
ST61230	600	1200	300	530	100	451	550	1150	ROD SYSTEM
800									
ST81230	800	1200	300	530	100	651	750	1150	ROD SYSTEM



* Product ATEX: contact the ETA commercial office for STP boxes with tempered glass



CHARACTERISTICS

Enclosure manufactured from 1.5 mm thick sheet steel. Door provided with 4.0 mm transparent plexiglas sheet and manufactured from 1.5 mm thick sheet steel up to H=800 mm; for box H>800, door manufactured from 2.0 mm thick sheet steel. Mounting plate manufactured from 2.5 mm thick sendzimir sheet steel.

PAINT FINISH

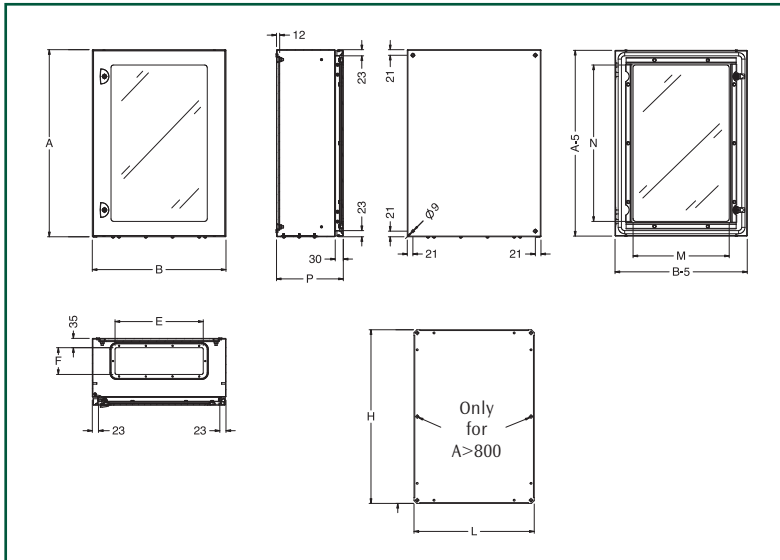
ETA standard epoxy polyester powder coating. Enclosure and door: colour RAL 7035 textured finish.

SUPPLY

- Box supplied with:
- door provided with locking system with \varnothing 3 mm double bar key and 2 zincpassivated rails to be fixed
 - mounting plate
 - cable entry plate with sealing gasket
 - screws for earth connection and mounting accessories.

PROTECTION RATING

- IP66 complying with IEC EN62208; EN60529
- NEMA 12 complying with UL508A; UL50
- protection degree guaranteed by the two-component polyurethane foam seal
- impact resistance IK10 complying with IEC EN62208; EN62202.



Boxes

BOXES WITH PLEXI DOOR

STP CODE	BOX DIMENSIONS			CABLE ENTRY		DOOR SPACE		M. PLATE DIM.		NO. OF LOCKS / TYPE
	B	A	P	E	F	M	N	L	H	
STP4320	400	300	200	330	100	255	180	350	250	1
STP4420	400	400	200	330	100	255	280	350	350	1
STP4520	400	500	200	330	100	255	380	350	450	1
STP4525	400	500	250	330	100	255	380	350	450	1
STP4620	400	600	200	330	100	255	480	350	550	2
STP4625	400	600	250	330	100	255	480	350	550	2
STP5720	500	700	200	330	100	355	580	450	650	2
STP5725	500	700	250	330	100	355	580	450	650	2
STP6420	600	400	200	530	100	455	280	550	350	1
STP6430	600	400	300	530	100	455	280	550	350	1
STP6620	600	600	200	530	100	455	480	550	550	2
STP6630	600	600	300	530	100	455	480	550	550	2
STP6825	600	800	250	530	100	455	680	550	750	2
STP6830	600	800	300	530	100	455	680	550	750	2
STP61025	600	1000	250	530	100	455	880	550	950	2
STP61030	600	1000	300	530	100	455	880	550	950	2
STP61230	600	1200	300	530	100	415	1080	550	1150	ROD SYSTEM
STP81030	800	1000	300	530	100	655	880	750	950	2
STP81230	800	1200	300	530	100	615	1080	750	1150	ROD SYSTEM



CHARACTERISTICS

Enclosure and door manufactured from 1.5 mm thick sheet steel. Mounting plate with folded edges manufactured from 2.5 mm thick sendzimir sheet steel.

PAINT FINISH

ETA standard epoxy polyester powder coating. Enclosure and door: colour RAL 7035 textured finish.

SUPPLY

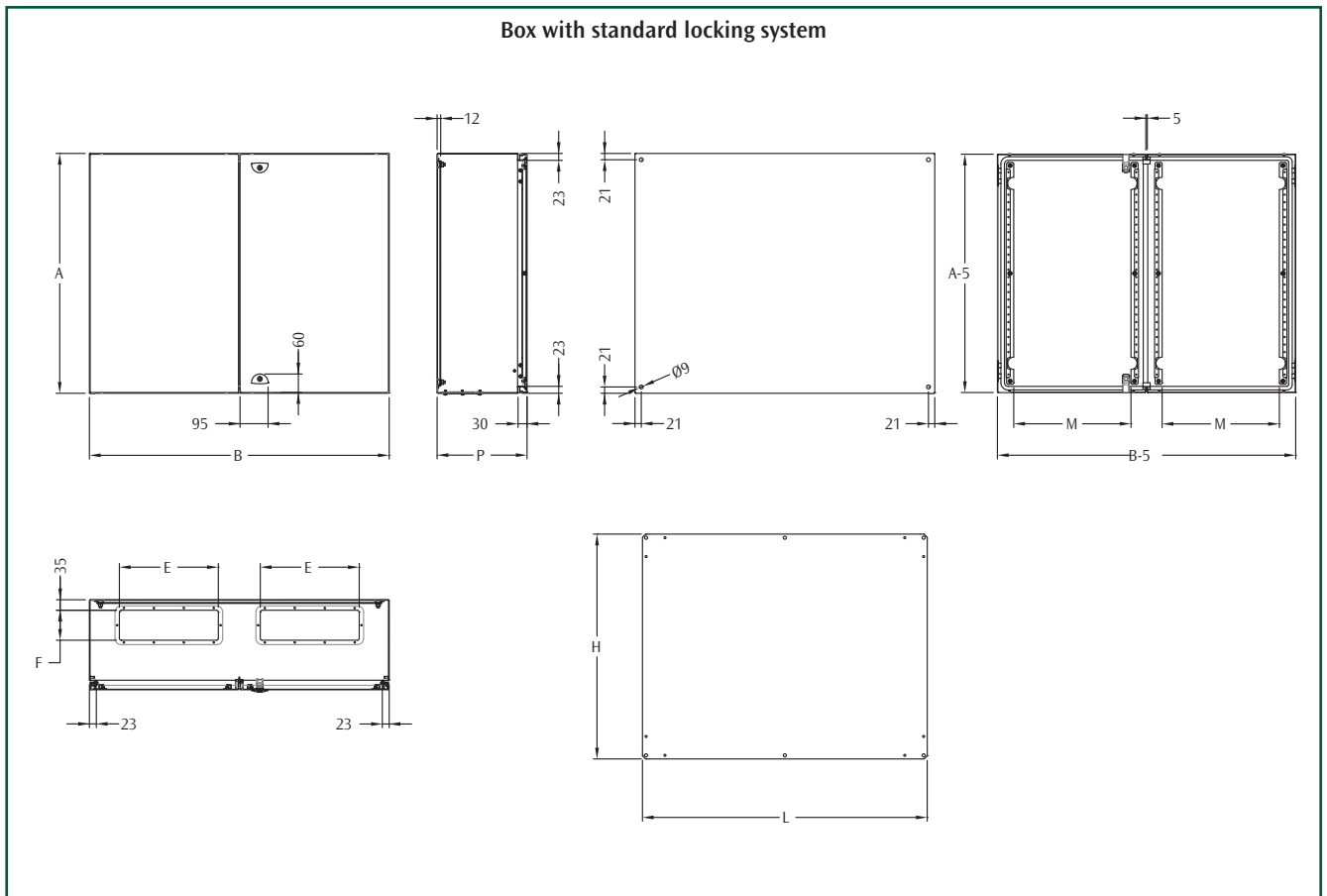
- Box supplied with:
- doors provided with locking system with \varnothing 3 mm double bar key and 4 zincpassivated rails to be fixed
 - mounting plate
 - 2 cable entry plates with sealing gasket
 - screws for earth connection and mounting accessories.

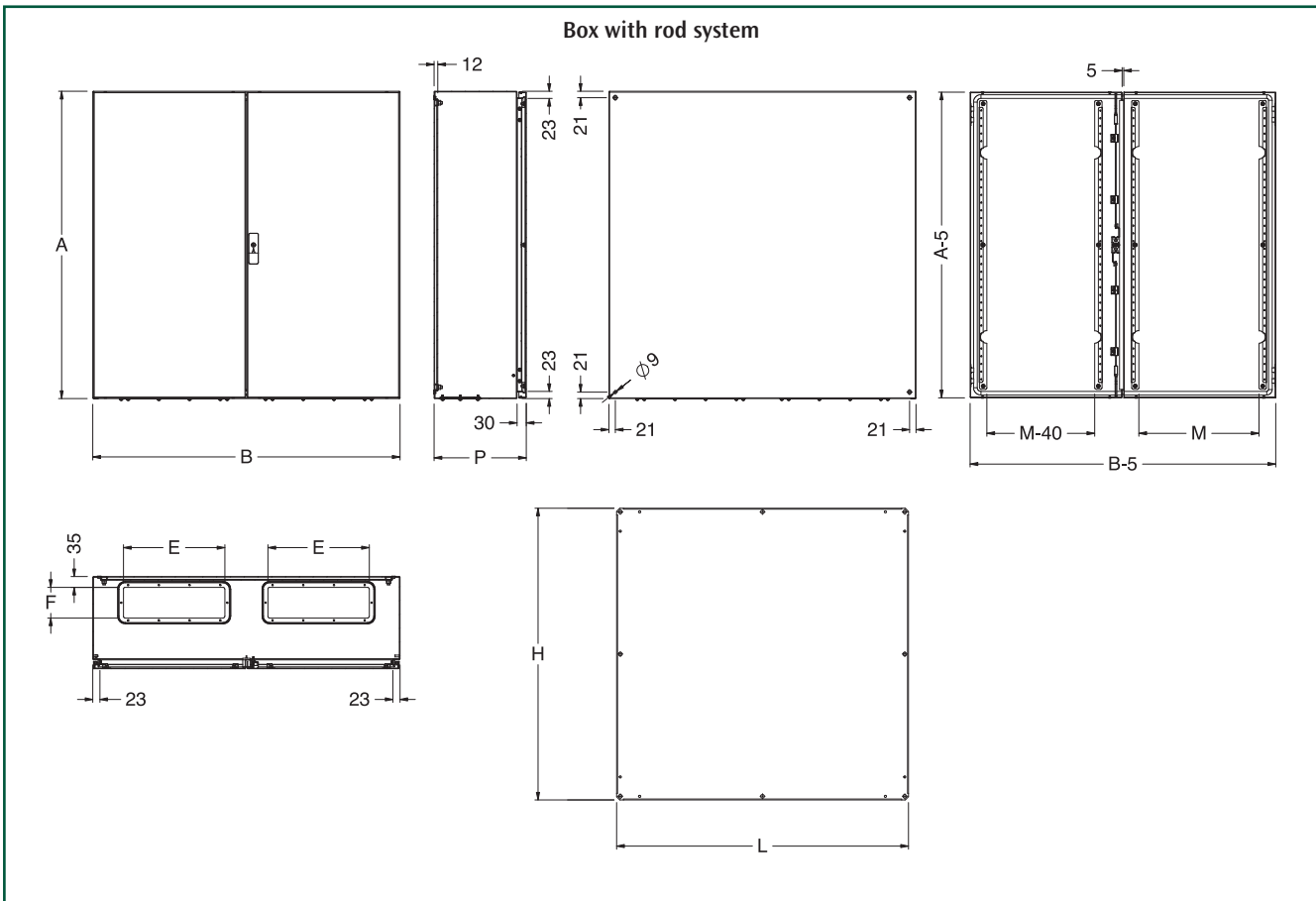
PROTECTION RATING

- IP66 complying with IEC EN62208; EN60529
- NEMA 12 complying with UL508A; UL50
- protection degree guaranteed by the two-component polyurethane foam seal
- impact resistance IK10 complying with IEC EN62208; EN62202.

Note: main accessories to be ordered separately:
 • brackets for wall mounting, see page 170.

Boxes





Boxes

DOUBLE DOOR BOXES

ST CODE	BOX DIMENSIONS			CABLE ENTRY		NO. CABLE ENTRY	DOOR SPACE M	MOUNT. PLATE DIM.		NO. OF LOCKS / TYPE
	B	A	P	E	F			L	H	
ST8630	800	600	300	530	100	1	291	750	550	2
ST10820	1000	800	200	330	100	2	391	950	750	2
ST10830	1000	800	300	330	100	2	391	950	750	2
ST101030	1000	1000	300	330	100	2	391	950	950	ROD SYSTEM
ST101230	1000	1200	300	330	100	2	391	950	1150	ROD SYSTEM
ST121230	1200	1200	300	330	100	2	491	1150	1150	ROD SYSTEM



INNER DOOR STP01

CHARACTERISTICS

Frame and door manufactured from 1.5 mm thick sheet steel.

PAINT FINISH

ETA standard epoxy polyester powder coating. Colour RAL 7035 textured finish.

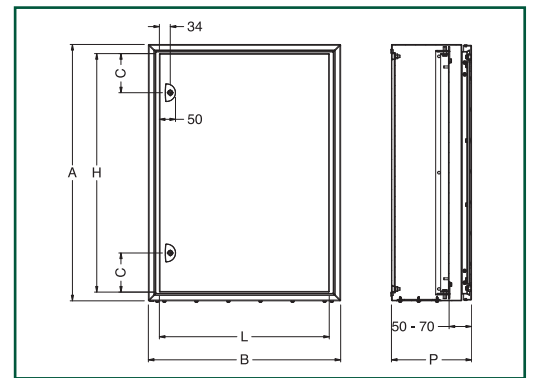
SUPPLY

Includes:

- frame
- door with \varnothing 3 mm double bar key locking system
- mounting accessories.

PROTECTION RATING

- external: as box (IP66)
- internal: IP2X.



Boxes

INNER DOOR

STP01 CODE	BOX CODE		BOX DIMENSIONS			DOOR DIMENSIONS			NUMBER OF LOCKS
	ST	STP	B	A	P	L	H	C	
STP0145	ST4520	STP4520	400	500	200	330	444	222	1
STP0145	ST4525	STP4525	400	500	250	330	444	222	1
STP0146	ST4620	STP4620	400	600	200	330	544	272	1
STP0146	ST4625	STP4625	400	600	250	330	544	272	1
STP0157	ST5720	STP5720	500	700	200	430	644	322	1
STP0157	ST5725	STP5725	500	700	250	430	644	322	1
STP0164	ST6420	STP6420	600	400	200	530	344	172	1
STP0164	ST6430	STP6430	600	400	300	530	344	172	1
STP0168	ST6825	STP6825	600	800	250	530	744	122	2
STP0168	ST6830	STP6830	600	800	300	530	744	122	2
STP01610	ST61025	STP61025	600	1000	250	530	944	122	2
STP01610	ST61030	STP61030	600	1000	300	530	944	122	2
STP01612	ST61230	STP61230	600	1200	300	530	1144	122	2
STP01810	ST81030	STP81030	800	1000	300	730	944	122	2
STP01812	ST81230	STP81230	800	1200	300	730	1144	122	2

MODULAR KIT MDST

CHARACTERISTICS

Frame and front panels manufactured from 1.5 mm thick sheet steel.

PAINT FINISH

ETA standard epoxy polyester powder coating.
Colour: RAL 7035 textured finish.

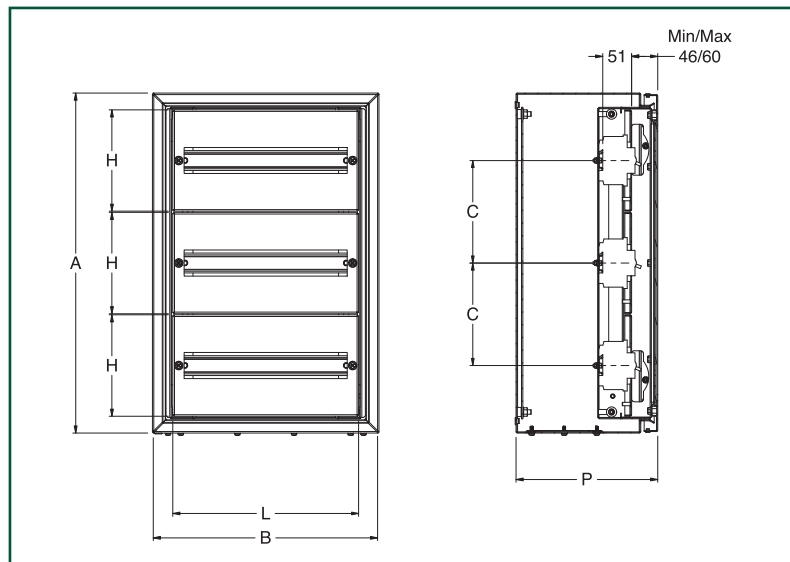
SUPPLY

Includes:

- frame
- front panel with modular slot complete with mounting accessories and captive screws
- zincpassivated DIN rail (for each window)
- mounting accessories.

PROTECTION RATING

External: as box (IP66).



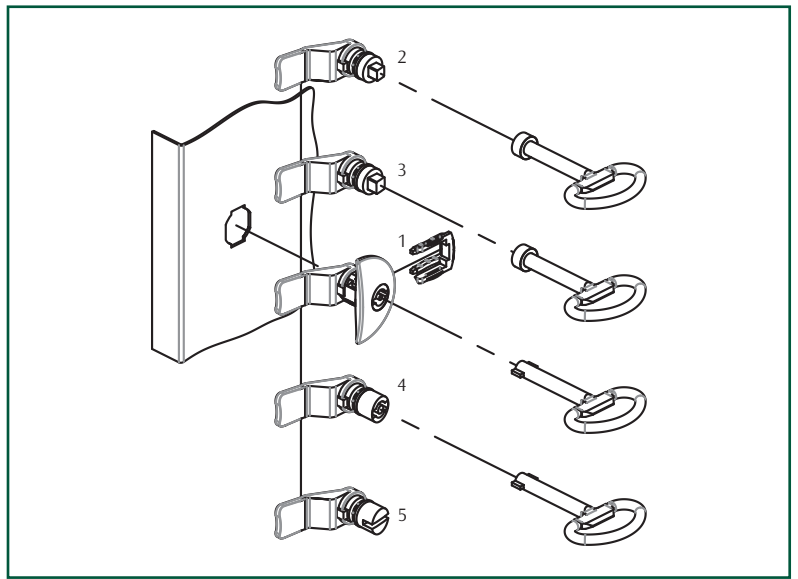
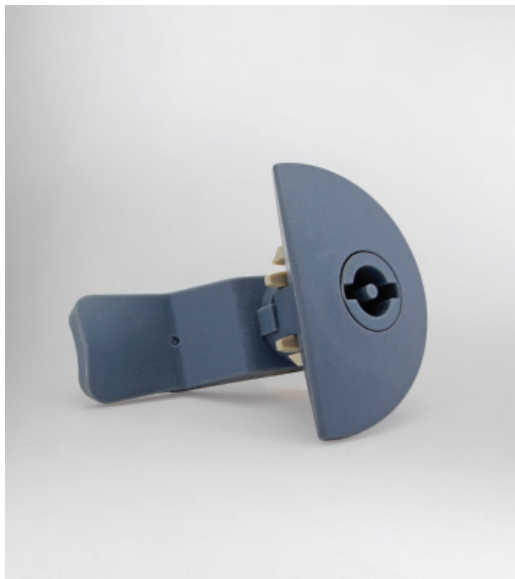
Boxes

MODULAR KIT

MDST CODE	BOX CODE		BOX DIMENSIONS			PANEL DIMENSIONS			MODULES 18 MM	NO. OF PANELS
	ST	STP	B	A	P	L	H	C		
MDST4300	ST4320	STP4320	400	300	200	328	241	-	1x16	1
MDST4400	ST4420	STP4420	400	400	200	328	341	150	2x16	1
MDST4500	ST4520	STP4520	400	500	200	328	441	150	3x16	1
MDST4500	ST4525	STP4525	400	500	250	328	441	150	3x16	1
MDST4600	ST4620	STP4620	400	600	200	328	179	181	3x16	3*
MDST4600	ST4625	STP4625	400	600	250	328	179	181	3x16	3*
MDST6600	ST6620	STP6620	600	600	200	528	179	181	3x26	3**
MDST6600	ST6630	STP6630	600	600	300	528	179	181	3x26	3**
MDST6800	ST6825	STP6825	600	800	250	528	179	181	4x26	4**
MDST6800	ST6830	STP6830	600	800	300	528	179	181	4x26	4**
MDST61000	ST61025	STP61025	600	1000	250	528	179	181	5x26	5**
MDST61000	ST61030	STP61030	600	1000	300	528	179	181	5x26	5**
MDST61200	ST61230	STP61230	600	1200	300	528	179	181	6x26	6**

* Available on request the blank frontal panel MDST4200

** Available on request the blank frontal panel MDST6200



FAST ASSEMBLY LOCKING SYSTEMS

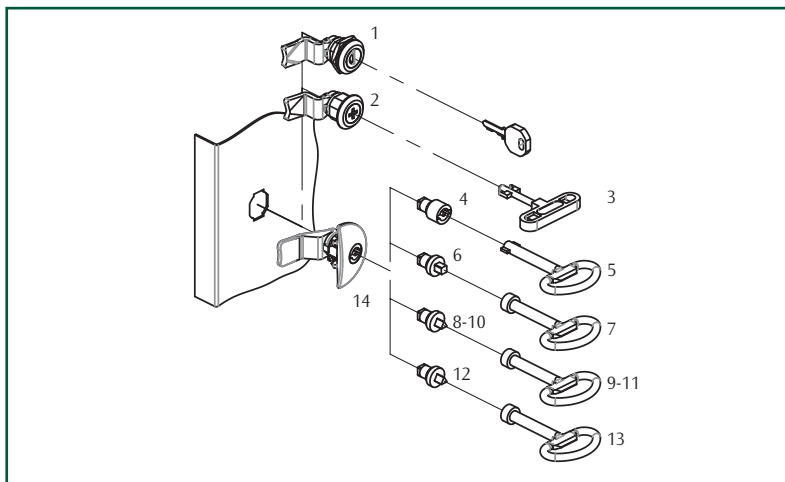
KEY CODE	INSERT CODE	REF.	DESCRIPTION
WE160	WE250	1	FAST ASSEMBLY LOCKING SYSTEM WITH ETA INSERT Ø 3 MM
WE200	WE300	2	FAST ASSEMBLY SQUARE INSERT ∇ 7 MM
WE165	WE305	3	FAST ASSEMBLY SQUARE INSERT ∇ 8 MM
WE170	WE310	4	FAST ASSEMBLY DOUBLE BAR INSERT Ø 5 MM
-	WE315	5	FAST ASSEMBLY SCREW DRIVER INSERT

Boxes

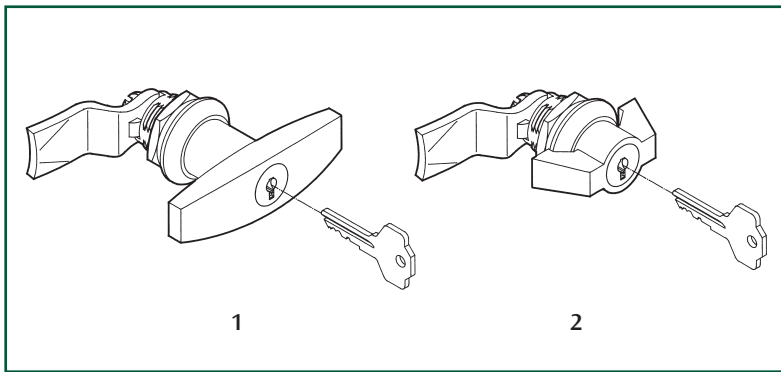


ALTERNATIVE LOCKING SYSTEMS

WE CODE	REF.	DESCRIPTION
*WE235	1	VIRO INSERT
*WE240	2	FIAT INSERT
WE210	3	FIAT KEY
WE255	4	ETA INSERT Ø 3 MM
WE160	5	ETA KEY Ø 3 MM
WE260	6	INSERT ∇ 6 MM
WE263	7	KEY ∇ 6 MM
WE265	8	INSERT ∇ 7 MM
WE268	9	KEY ∇ 7 MM
WE270	10	INSERT ∇ 6,5 MM
WE273	11	KEY ∇ 6,5 MM
WE275	12	INSERT ∇ 8 MM
WE278	13	KEY ∇ 8 MM
WE250V	14	LOCKING SYSTEM WITHOUT INSERT



* With cam and locking cover



TT CANOPY

CHARACTERISTICS

Manufactured from 1.5 mm thick sheet steel.

SUPPLY

Includes 1 piece with mounting accessories.

PAINT FINISH

ETA standard epoxy polyester powder coating.
Colour: RAL 7035 textured finish.

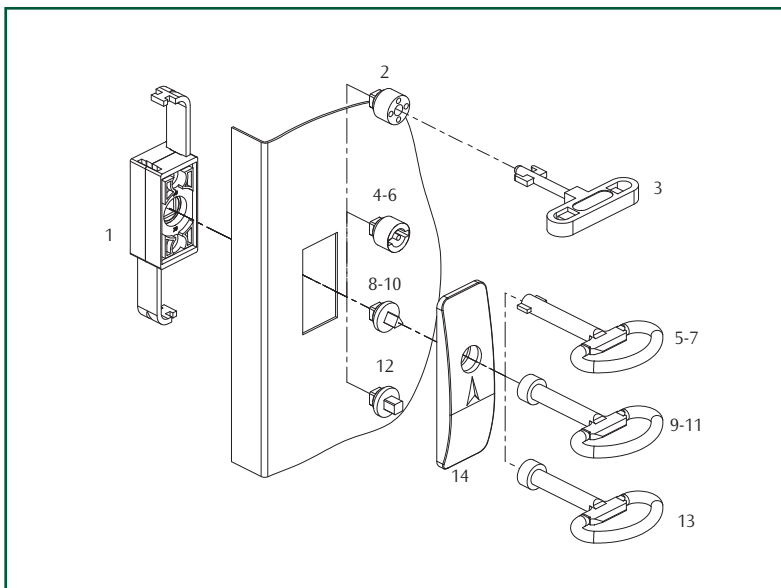
Note: for outdoor applications, it is recommended to have a special polyester painting that is more suitable for external applications.



LOCKING SYSTEMS

WE CODE	REF.	DESCRIPTION
WE285	1	T HANDLE WITH KEYLOCK
WE288	2	WING HANDLE WITH KEYLOCK

Note: padlocking handle available on request.



LOCKING SYSTEMS FOR DOUBLE DOOR BOXES WITH ROD MECHANISM

WE CODE	REF.	DESCRIPTION
WE010	1	ROD DRIVE
WE080	2	FIAT INSERT
WE210	3	FIAT KEY
WE030	4	ETA INSERT Ø 3 MM
WE160	5	ETA KEY Ø 3 MM
WE040	6	ETA INSERT Ø 5 MM
WE170	7	ETA KEY Ø 5 MM
WE050	8	INSERT ∇ 7 MM
WE180	9	KEY ∇ 7 MM
WE060	10	INSERT ∇ 8 MM
WE190	11	KEY ∇ 8 MM
WE070	12	INSERT ∇ 7 MM
WE200	13	KEY ∇ 7 MM
WE020	14	ETA COVER

CANOPY TT

TT CODE	WIDTH	DEPTH
TT104	400	200
TT204	400	250
TT105	500	200
TT205	500	250
TT106	600	250
TT206	600	300
TT208	800	300

Boxes

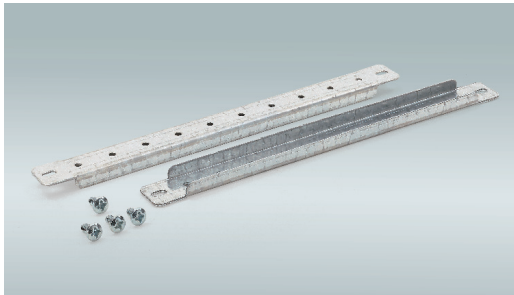
HORIZONTAL DOOR RAIL WC

CHARACTERISTICS

Manufactured from 1.5 mm thick sendzimir sheet steel with 2.5 mm pitch drilling and $\varnothing 4,2$ holes to be fixed on door profiles and used to fix cable or trunking.

SUPPLY

Includes 1 piece with mounting accessories.



RAIL	
WC CODE	DOOR WIDTH
WC001	300
WC002	400
WC003	500
WC004	600
WC005	800

Note: codes valid for one or two standard locking points.



RAIL	
WC CODE	DOOR WIDTH
WC001C	300
WC002C	400
WC003C	500
WC004C	600
WC005C	800

Note: codes valid for boxes with rod system.

MOUNTING PLATE REGULATOR WA

It allows the mounting plate to be positioned at different depths.

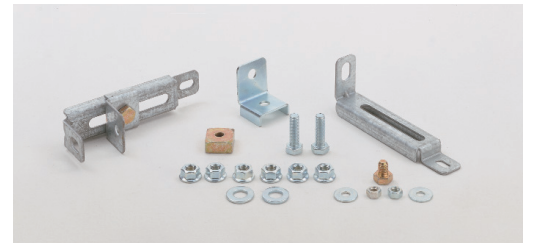
CHARACTERISTICS

Manufactured from 2.0 mm thick zincpassivated sheet steel.

SUPPLY

Includes 2 pieces.

Note: order 2 packages for boxes $H \leq 800$ mm
order 3 packages for boxes $H > 800$ mm single door.



MOUNTING PLATE REGULATOR

WA CODE	BOX DEPTH
WA980	200
WA981	250
WA982	300

DOOR STOP WA060

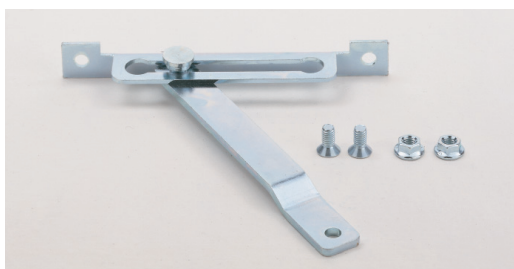
To be used to hold the door open at 90° avoiding accidental closing. Machining required.

CHARACTERISTICS

Manufactured from 2.0 mm and 3.0 mm thick zincpassivated sheet steel.

SUPPLY

Includes: single piece with mounting accessories and gasket for IP66.



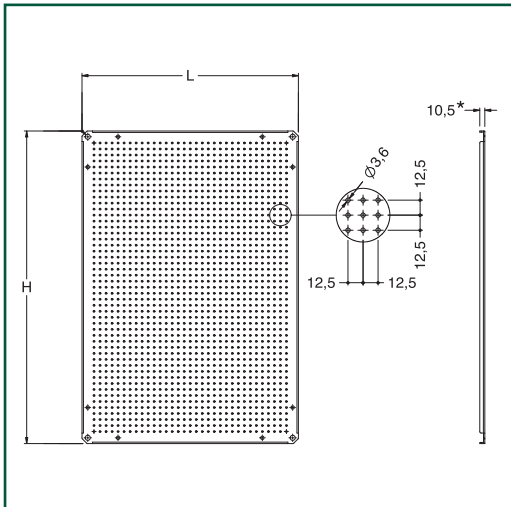
MICROPERFORATED MOUNTING PLATES WPAZ - F

The microperforated mounting plate WPAZ - F is assembled with the same procedure as the standard mounting plates.

CHARACTERISTICS

Manufactured from 2.5 mm thick sendzimir sheet steel.

Note: available upon request.



* Plate with raised edges starting from enclosure size 500x700

MICROPERFORATED MOUNT. PLATES

WPAZ CODE	BOX DIM.		M. PLATE DIM.	
	B	A	L	H
WPAZ-ST23F	200	300	150	250
WPAZ-ST33F	300	300	250	250
WPAZ-ST35F	300	500	250	450
WPAZ-ST43F	400	300	350	250
WPAZ-ST44F	400	400	350	350
WPAZ-ST45F	400	500	350	450
WPAZ-ST46F	400	600	350	550
WPAZ-ST55F	500	500	450	450
WPAZ-ST57F	500	700	450	650
WPAZ-ST64F	600	400	550	350
WPAZ-ST66F	600	600	550	550
WPAZ-ST68F	600	800	550	750
WPAZ-ST610F	600	1000	550	950
WPAZ-ST612F	600	1200	550	1150
WPAZ-ST88F	800	800	750	750
WPAZ-ST810F	800	1000	750	950
WPAZ-ST812F	800	1200	750	1150
WPAZ-ST1010F	1000	1000	950	950
WPAZ-ST1012F	1000	1200	950	1150
WPAZ-ST1212F	1200	1200	1150	1150

POLE MOUNTING KIT FPST-001

To fix the box to a pole with round or rectangular section.

CHARACTERISTICS

Rail manufactured from galvanized sheet steel and clamp collar.

SUPPLY

Includes 2 rails and 2 clamps with mounting accessories.



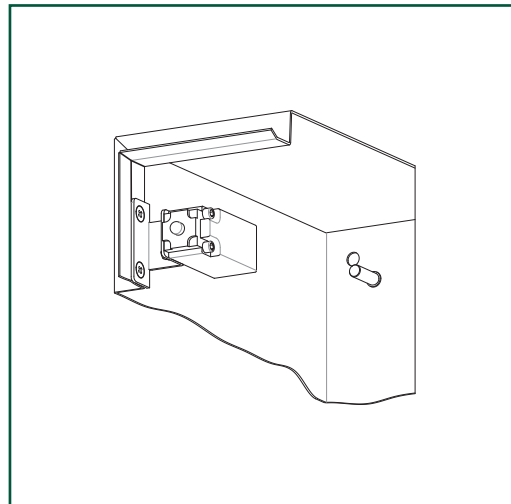
FIXING BRACKETS FOR MICRO-SWITCH W100ST

CHARACTERISTICS

Manufactured from sendzimir sheet steel for fastening the micro-switch W100 inside the ST boxes.

SUPPLY

Includes 1 piece with mounting accessories.



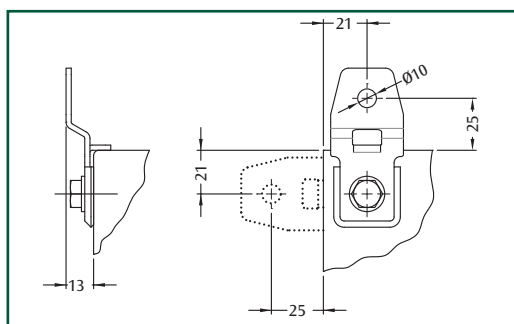
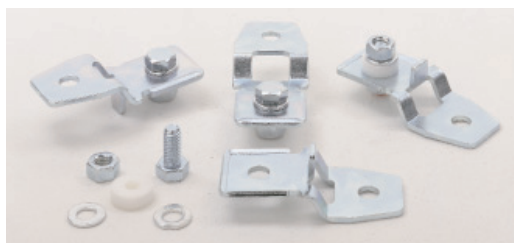
WALL MOUNTING BRACKETS SDWC-010

CHARACTERISTICS

Manufactured from 2.5 mm thick zincpassivated sheet steel.

SUPPLY

Includes 4 pieces.



CABLE ENTRY GLAND PLATE WC - B

CHARACTERISTICS

Manufactured from 1.5 mm thick sheet steel.

PAINT FINISH

ETA standard epoxy polyester powder coating.
Colour: RAL 7035 textured finish

SUPPLY

Includes 1 piece with sealing gasket and mounting accessories.



CABLE ENTRY GLAND PLATE

WC CODE	PLATE DIMENSIONS
WC016B	158 x 78
WC018B	258 x 78
WC019B	258 x 128
WC020B	358 x 128
WC022B	558 x 128

LOUVERED CABLE ENTRY PLATES WC - A

CHARACTERISTICS

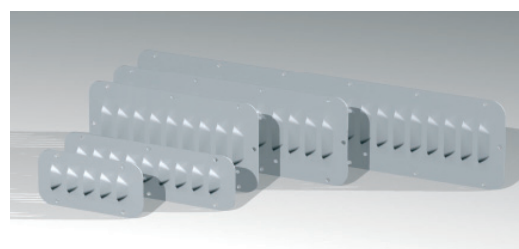
Manufactured from 1.5 mm thick sheet steel.

PAINT FINISH

ETA standard epoxy polyester powder coating.
Colour: RAL 7035 textured finish.

SUPPLY

Includes 1 piece complete with seals and mounting accessories.



LOUVERED CABLE ENTRY PLATES

WC CODE	PLATE DIMENSIONS
WC016A	158 x 78
WC018A	258 x 78
WC019A	258 x 128
WC020A	358 x 128
WC022A	558 x 128

Note: available on request

PUNCHED CABLE ENTRY PLATES WC - FL

CHARACTERISTICS

Manufactured from 1.5 mm thick sheet steel.

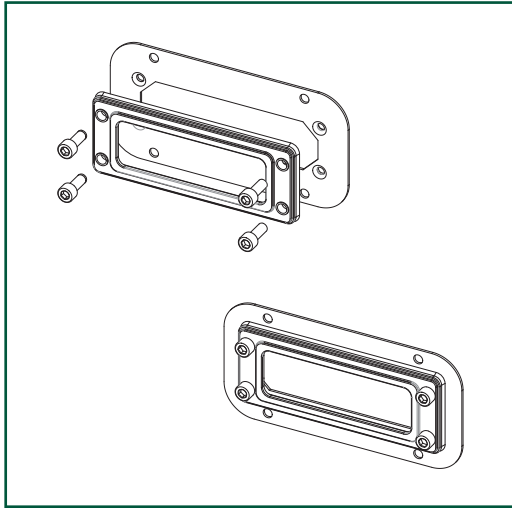
PAINT FINISH

ETA standard epoxy polyester powder coating.
Colour: RAL 7035 textured finish.

SUPPLY

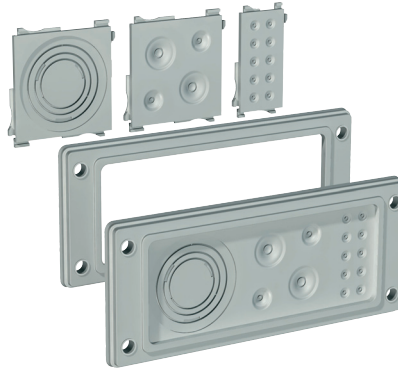
Includes 1 piece with gasket, screws for FL frame and mounting accessories.

Note: it is available the package with 5 pieces, complete with gaskets, screws for the FL frame and mounting accessories; in this case add suffix "5" to the code (i.e.: WC016FL5).



PUNCHED CABLE ENTRY PLATES

WC CODE	PLATE DIM.	NO. OF HOLES	HOLE DIM.
WC016FL	158 x 78	1 per FL13	118 x 30
WC018FL	258 x 78	1 per FL13	118 x 30
WC019FL	258 x 128	1 per FL21	196 x 62
WC020FL	358 x 128	1 per FL21	196 x 62
WC022FL	558 x 128	2 per FL21	196 x 62



FL13 AND FL21 FRAMES

CHARACTERISTICS

In reinforced fiberglass, polypropylene and thermoplastic halogen-free elastomers. UL approved materials.

Colour: RAL 7035.

PROTECTION RATING

IP65.

TEMPERATURE RESISTANCE

-20°C +125°C.

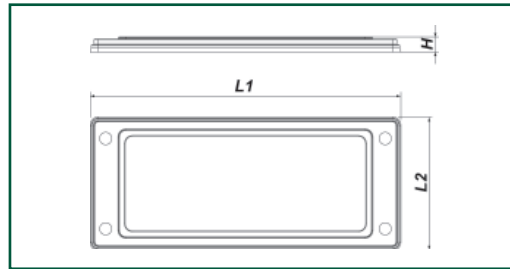
TEST

EN60529

EN60670-1, EN50262.

SUPPLY

Includes 10 pieces.



FRAMES

CODE	DESCRIPTION	L1	L2	H
WC2665404	FL13 FRAME	134	52	6,5
WC2665400	FL21 FRAME	214	90	9

Boxes

INSERTS FOR FL13 AND FL21 FRAMES

CHARACTERISTICS

In reinforced fiberglass, polypropylene and thermoplastic halogen-free elastomers. UL approved materials.

Colour: RAL 7035.

PROTECTION RATING

IP65.

TEMPERATURE RESISTANCE

-20°C +125°C.

TEST

EN60529,
EN60670, EN50262.

SUPPLY

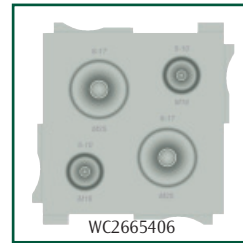
Includes 10 pieces.

CABLE INSTALLATION

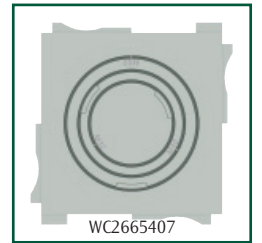
Pushing the cable through the membrane until the membrane allows its passage or remove a part of the membrane before installing the cable with a tinier cable or with a screwdriver.

INSERTS FOR FL21 FRAME

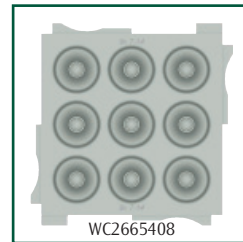
CODE	DESCRIPTION	FOR CABLE Ø MM
WC2665406	68 x 68, 2 x M25 + 2 x M16	8-17, 5-10
WC2665407	68 x 68, KNOCKOUT M50, M40, M32	-
WC2665408	68 x 68, 9 x 7-14 MM	7-14
WC2665409	68 x 68, 2 x 20-30 MM + 2 x 10-20 MM	20-30, 10-20
WC2665410	68 x 68, 30-50 MM	30-50
WC2665411	68 x 34, 2 x 8-17 MM	8-17
WC2665412	68 x 34, 2 x M20	6-13
WC2665413	68 x 34, 10 x 4-10 MM	4-10



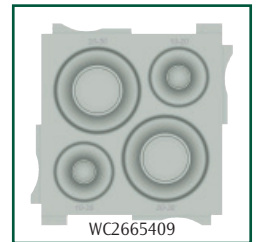
WC2665406



WC2665407



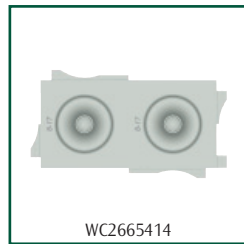
WC2665408



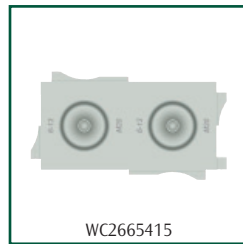
WC2665409

INSERTS FOR FL13 FRAME

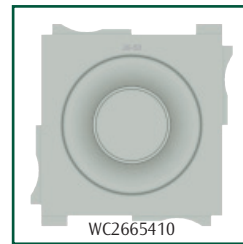
CODE	DESCRIPTION	FOR CABLE Ø MM
WC2665414	34 x 68, 2 x 8-17	8-17
WC2665415	34 x 68, 2 x M20	6-13
WC2665416	34 x 68, 10 x 4-10 MM	4-10
WC2665417	34 x 34, 1 x M20	6-13



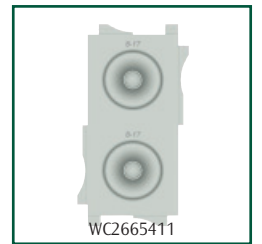
WC2665414



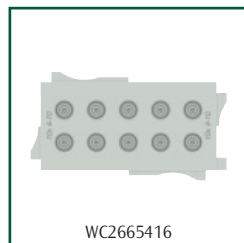
WC2665415



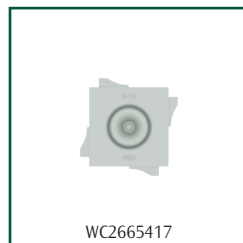
WC2665410



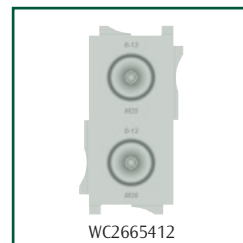
WC2665411



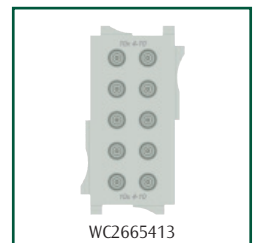
WC2665416



WC2665417



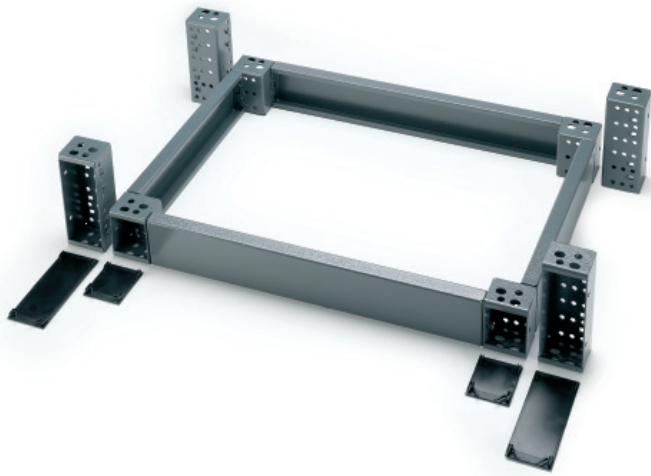
WC2665412



WC2665413

Boxes

↳



MODULAR PLINTH ATZE

CHARACTERISTICS

Corner pieces manufactured from 2.5 mm thick press bent sheet steel, with PVC front covers caps. Front and side crosspieces manufactured from 2.0 mm thick press bent sheet steel.

PAINT FINISH

ETA standard epoxy polyester powder coating.
Colour: RAL 7025 textured finish.

SUPPLY

The modular plinth is made up of:

- corner pieces: supply includes 4 pieces complete with front covers and mounting hardware
- front crosspieces: supply includes 2 pieces
- side crosspieces: supply includes 2 pieces.

UNIVERSAL CORNER PIECES

ATZE CODE	DESCRIPTION
ATZE-A100	CORNER PIECES FOR PLINTH H=100
ATZE-A200	CORNER PIECES FOR PLINTH H=200

Note: supply includes 4 pieces with mounting accessories.

FRONT CROSSPIECES

ATZE CODE	DESCRIPTION	CROSS. LENGTH MM
ATZE-T0600	PLINTH CROSSPIECES W=600	444
ATZE-T0800	PLINTH CROSSPIECES W=800	644
ATZE-T1000	PLINTH CROSSPIECES W=1000	844
ATZE-T1200	PLINTH CROSSPIECES W=1200	1044

Note: supply includes 2 pieces.

Note: to order the front and side crosspieces H=200, add the suffix "D" to the code. (i.e.: ATZE-T0600D).

SIDE CROSSPIECES FOR SP / STP

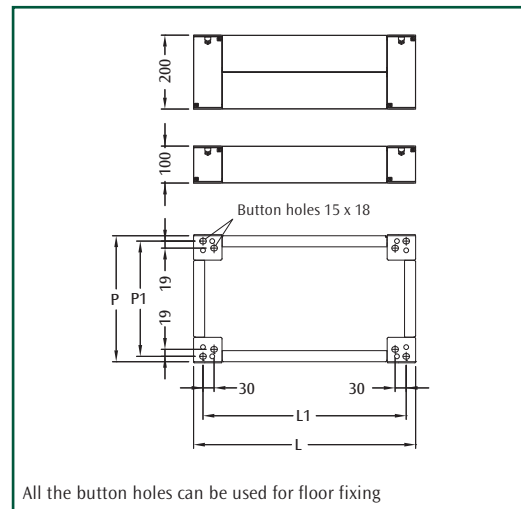
ATZE CODE	DESCRIPTION	CROSS. LENGTH MM
ATZE-T0300S	PLINTH CROSSPIECES D=300	136
ATZE-T0400A	PLINTH CROSSPIECES D=400	236

Note: supply includes 2 pieces.

Note: to order the front and side crosspieces H=200, add the suffix "D" to the code. (i.e.: ATZE-T0300SD).

DIMENSIONAL SPECIFICATIONS

BOX DIMENSIONS		PLINTH DIM.		CENT. DISTANCES	
L	P	L	P	L1	P1
600	300	600	270	549	241
600	400	600	370	549	341
800	300	800	270	749	241
800	400	800	370	749	341
1000	300	1000	270	949	241
1200	300	1200	270	1149	241



Note: to assemble the plinth on ST Boxes, the base requires holes punching.

Boxes